



greenlux
cost reduction LED lighting

Aliance Series LED Recessed Downlight

High CRI 90 Architectural Design
80% lumen maintenance at 50,000 hours

- Architectural Design
- 0° ~ 30° tilt, 350° horizontal rotatable
- Anti-glare, Low UGR<19
- Excellent heat dissipation to ensure long life span
- High efficiency COB chipset with high luminous flux
- High quality Aluminum Alloy Housing
- Triac / 0-10V / Dali dimmer options
- IP33 Rated
- 5 Years Warranty
- Applications include offices, shops, restaurants, hotels, schools & households



Specifications

Colour Range	3000K/4000K/5000K
Power Consumption	21W
Luminous Flux	1575lm
Input Voltage	100V ~ 240V AC
Power Factor	>0.9
Chipset	Bridgelux COB
CRI	>90
Beam angle	30° / 50° / 60°
Dimmable	Triac / 0-10V / Dali (options)
Driver	SAA Class II
Driver Current	700mA

Dimensions

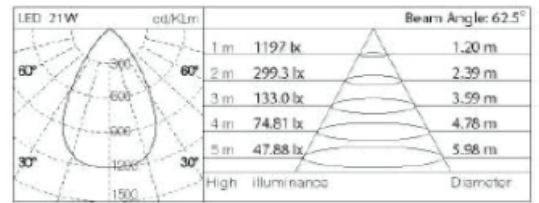
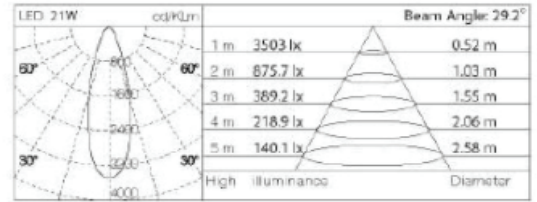
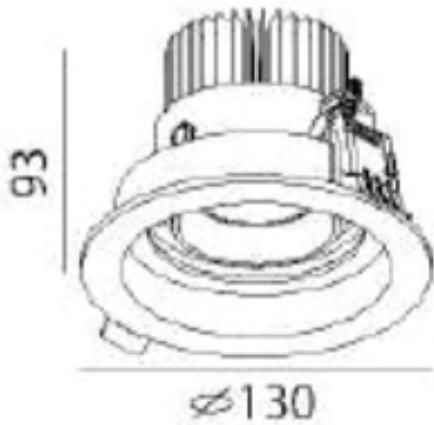
Product Dimensions (mm)	Square	130 * 130 * 93
	Round	Ø130 * 93
Cutout (mm)	Square	120 * 120
	Round	Ø120
Housing Material	Aluminum Alloy + Powder Coating	
Housing Colour	White/Chrome/Black	





greenlux
cost reduction LED lighting

Aliance Series LED Recessed Downlight



Model#	Dimensions (mm)	Cutout (mm)	Beam Angle	CCT	Lumens	Wattage	LED
GJALI-21W-R	Ø130 * 93	Ø120	30°/50°/60°	2700-5000k	1575	21W	COB
GJALI-21W-S	130 * 130 * 93	120	30°/50°/60°	2700-5000k	1575	21W	COB

