

Castle Series LED Downlight
Adjustable



Bridgelux COB

Low UGR <19, High Lumen Output

Double Reflector Control

Clear Lens and Diffused Lens Available
60° Cut-off Angle and Silver Finish

Variety of Light Colour

2700K / 3000K / 3500K / 4000K / 5000K
CRI >80 or 90 for Option

Easy Installation

Super Narrow Trim

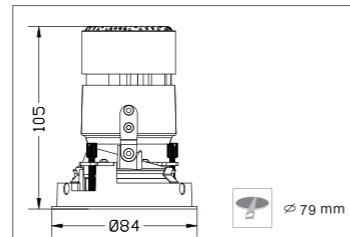




GJCAS-9W-A

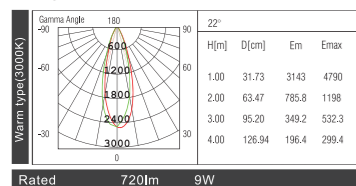
LED Power: 9W
CCT: 2700K/3000K/4000K
CRI: 80 or 90
DC Voltage: 17.8V
DC Current: 500mA
Beam Angel: 24° 38° 55°
Dimension: $\Phi 84 \times 105$ mm
Material: Aluminum

Adjustable



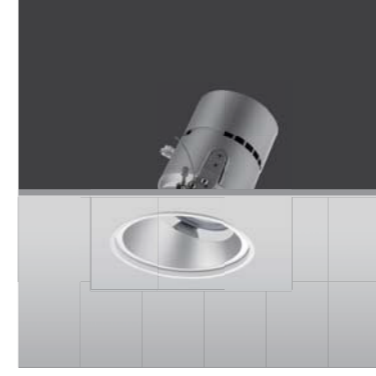
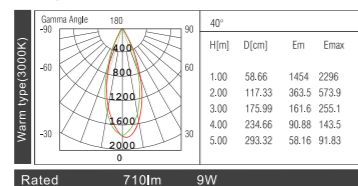
Medium

Beam Angle: 24°



Medium

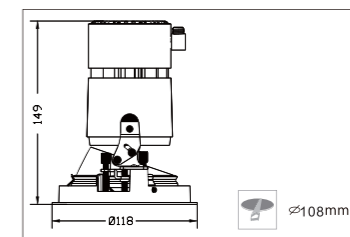
Beam Angle: 38°



GJCAS-14W-A

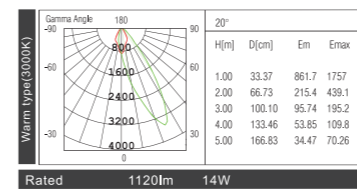
LED Power: 14W
CCT: 2700K/3000K/4000K
CRI: 80 or 90
DC Voltage: 27.8V
DC Current: 500mA
Beam Angel: 24° 38° 55°
Dimension: $\Phi 118 \times 149$ mm
Material: Aluminum

Adjustable



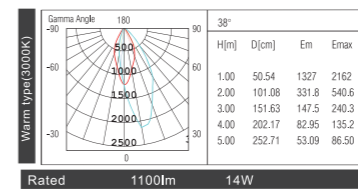
Narrow

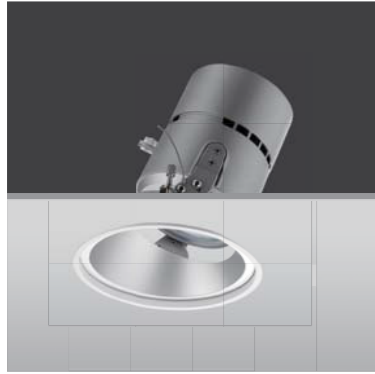
Beam Angle: 24°



Medium

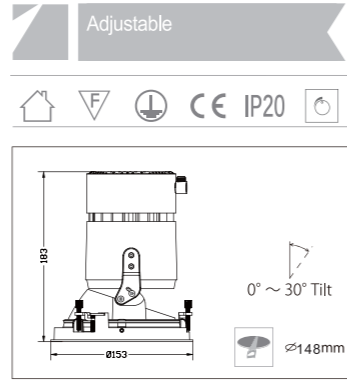
Beam Angle: 38°





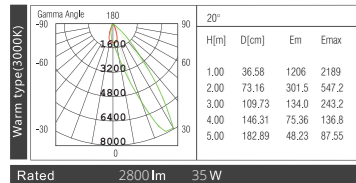
GJCAS-35W-A

LED Power: 35W
CCT: 2700K/3000K/4000K
CRI: 80 or 90
DC Voltage: 33.7V
DC Current: 700mA
Beam Angel: 24° 38° 55°
Dimension: $\Phi 153 \times 183$ mm
Material: Aluminum



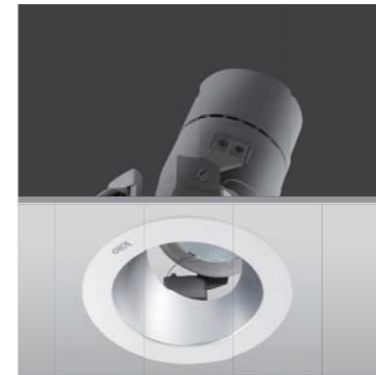
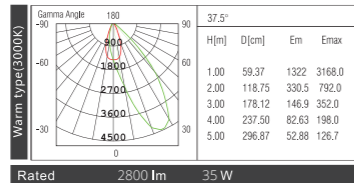
Narrow

Beam Angle: 20°



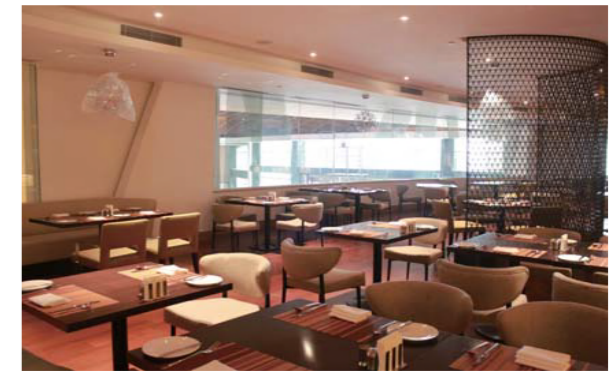
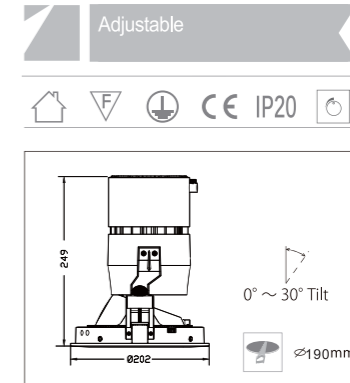
Medium

Beam Angle: 38°



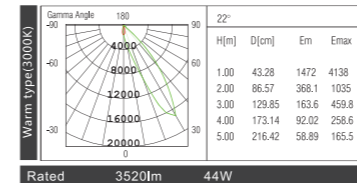
GJCAS-44W-A

LED Power: 44W
CCT: 2700K/3000K/4000K
CRI: 80 or 90
DC Voltage: 30.4V
DC Current: 1400mA
Beam Angel: 24° 38° 55°
Dimension: $\Phi 202 \times 245$ mm
Material: Aluminum



Narrow

Beam Angle: 20°



Medium

Beam Angle: 30°

