

Chain GLE 8976 Series **Recessed** LED Linear Light



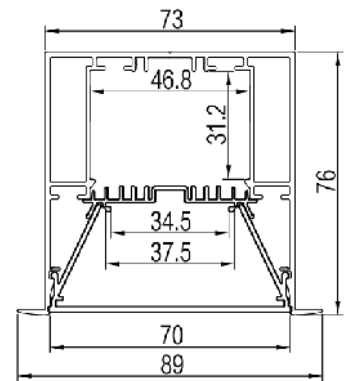
UGR<19

120LM/W



Features

- Professional optical design with two diffusers and four types of light sources
- Up to 120lm/w light efficiency (DC24V, with diffuser)
- UGR<19 (with UGR filter diffuser)
- Plug and connect design with innovative magnetic end cap
- No need to punch holes by pressing the carrier with snap joint easily
- Connect more easily by tightening and screwing from the front
- Create any lighting sculpture freely by the five kinds of corners
- Cord master design & built-in driver for extreme extension



RCM

SAA

IES

TUV

CE

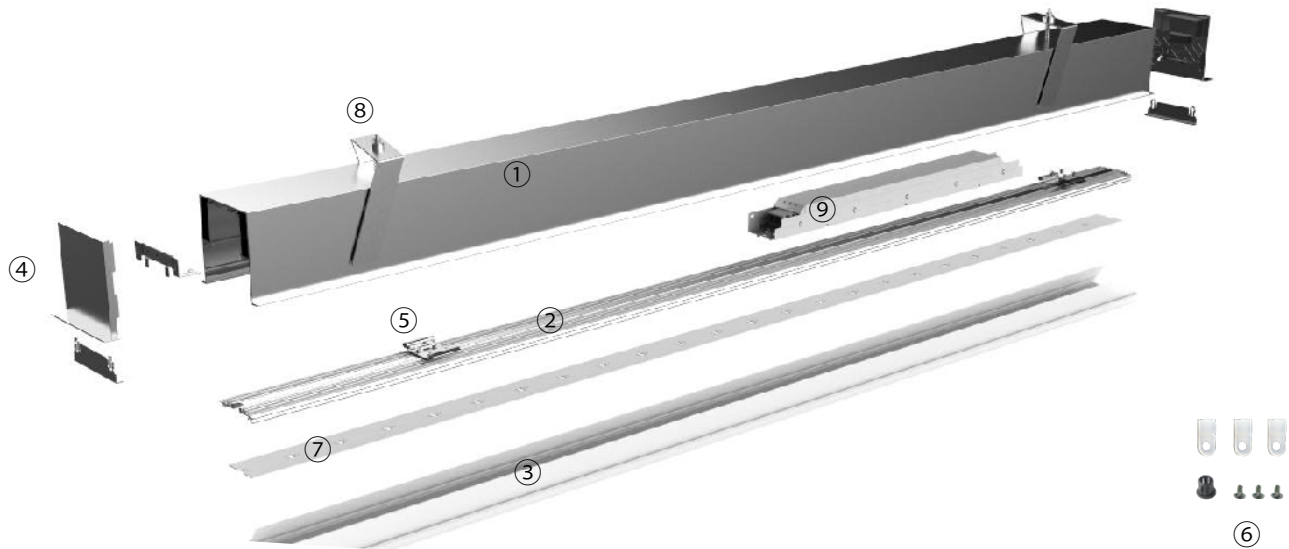
3 Yrs
Warranty

LM80

IP20

Chain GLE 8976 Series Recessed LED Linear Light

Details



Standard Configuration



① Profile ② Carrier:
Installation: Recessed with trim
Material: AL6063-T5
Applications: Indoors
Profile Weight: 4.31kg/2.5m
Size: L2500*W89*H76mm
Surface Processing: Anodizing



③ Diffuser:
Type: Frosted diffuser/UGR filter diffuser
Material: PC/PC&PET
Light Transmittance : 85%/75%
Size : L2500*W70.6*H31mm
PC Feature : The diffuser will extend (shrink)
0.8mm/m when the temperature rises
(drops) 10°C.



④ End cap L89*W77*H18.5mm Fireproof PC& magnet







⑤ Snap joint L46.5*W30*H6.5mm 304 Stainless steel



⑥ Accessories

Chain GLE 8976 Series **Recessed** LED Linear Light

Optional Accessories

	⑧ N-type buckle	GCSPCCsilver	L112.7*W77.4*H84mm				
	⑨ Driver	GCESD-V24-065S	L363*W34.5*H22.5mm				
	⑦ FPC	GCD8320H-34mm	DC24V	20W/m	width 34mm	Min. cutting unit 50mm	
		GCD8320L-34mm	DC24V	17W/m	width 34mm	Min. cutting unit 50mm	
	⑦ Rigid modular	GCDY8320H-37mm	DC24V	20W/m	width 37mm	Min. cutting unit 50mm	
		GCDY8320L-37mm	DC24V	17W/m	width 37mm	Min. cutting unit 50mm	

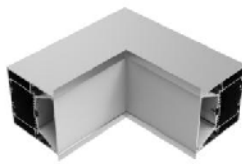
Corners

L-type corner (L90-GLE8976)



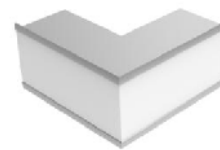
Al6063-T5&PC
5.5W/4.7W
181*181*76mm

L-type inner corner(L90N-GLE8976)



Al6063-T5&PC
5W/4.2W
176*176*89mm

L-type exterior corner (L90W-GLE8976)



Al6063-T5&PC
7W/6W
180*180*89mm

T-type corner (T90-GLE8976)



Al6063-T5&PC
7.5W/6.4W
273*181*76mm

X-type corner(X90-GLE8976)



Al6063-T5&PC
10W/8.5W
273*273*76mm

180° extender



SPCC
Silver

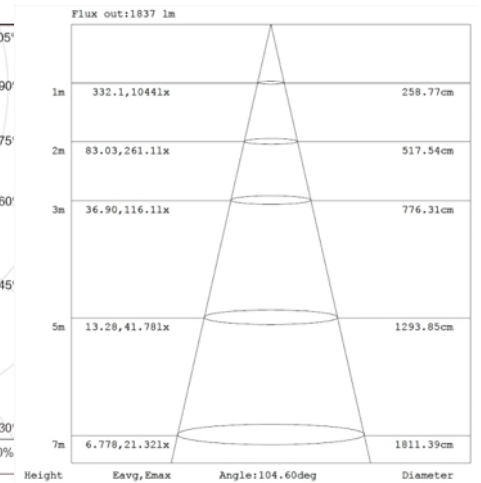
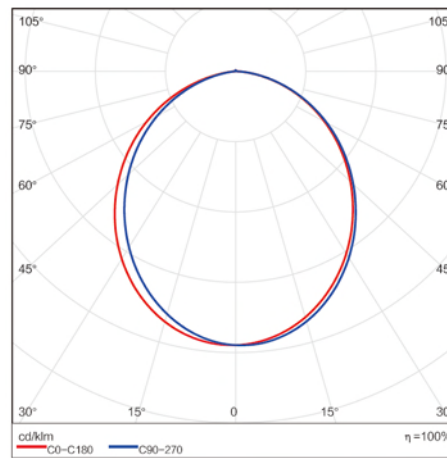
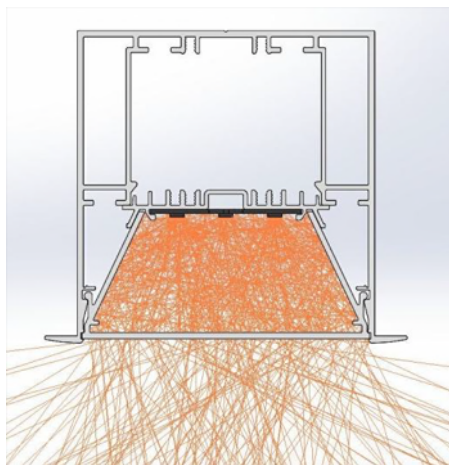
* There are both with light source and without light source options for the five kinds of corners.

* There are optional high lumen and standard lumen for corner power.

Chain GLE 8976 Series **Recessed** LED Linear Light

Optical Parameter

D8320H-34mm driver, frosted diffuser



D8320L-34mm driver, UGR filter diffuser

