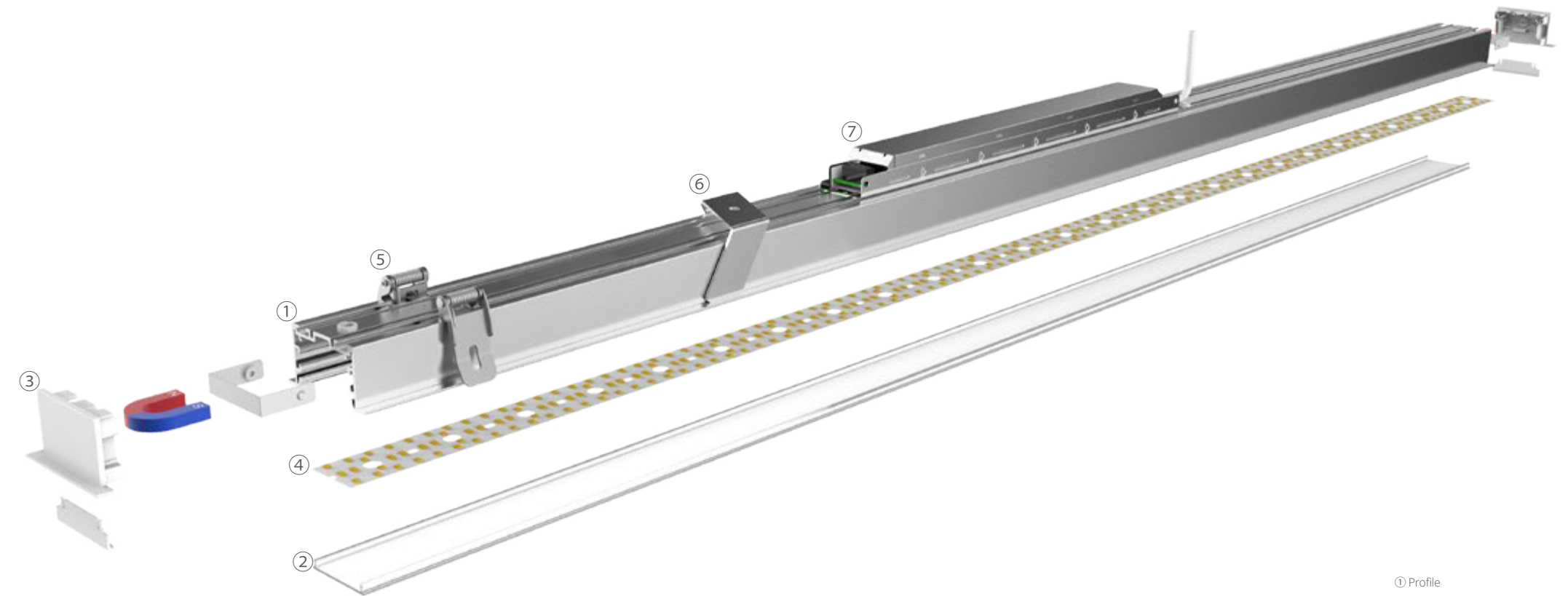


Chain GLE SERIES

Innovative magnet end cap, easy installation without screws;

Multi-corner connectors are available: 180 ° straight, L-type, T-type, X-type;

Various of customized services: customized color, size, material and so on.

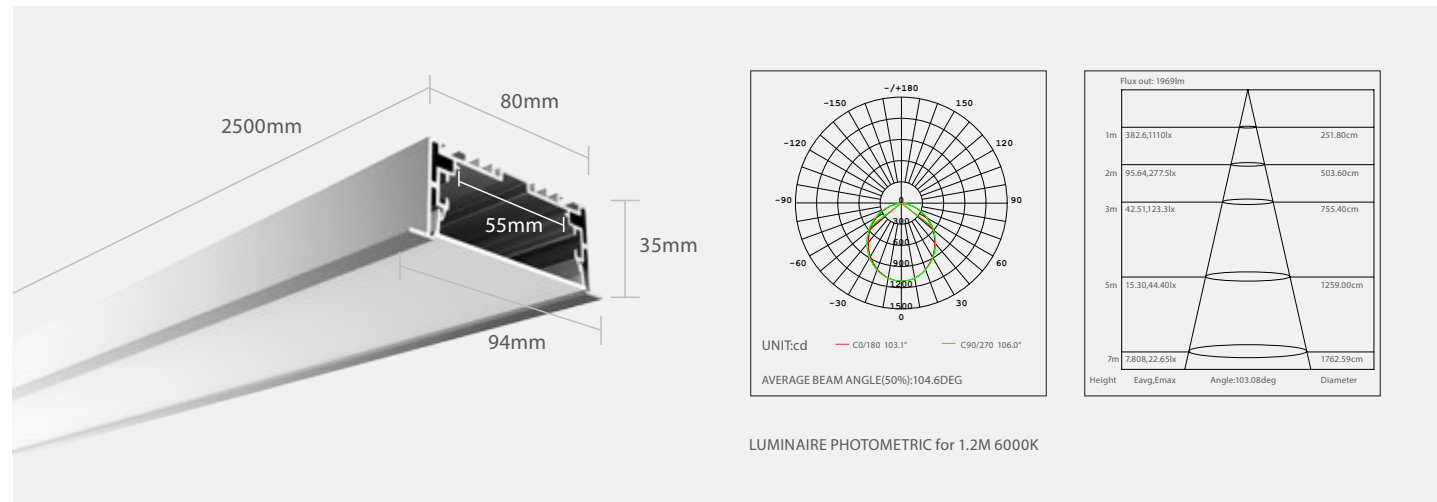


- ① Profile
- ② PC cover
- ③ End cap
- ④ LED
- ⑤ ⑥ Recessed accessories
- ⑦ Driver

GLE9435



greenlux
cost reduction LED lighting



Standard



GLE9435-PRM1



GLE9435-ECX2



GLE9435-CV1

Optional



GLE9435-RN



GLE9435-RB



GD8420-52



GDY8420-55



GESD-V24-100S



GLE9435-180



GLE9435-L90



GLE9435-L90N



GLE9435-L90W



GLE9435-T90



GLE9435-X90

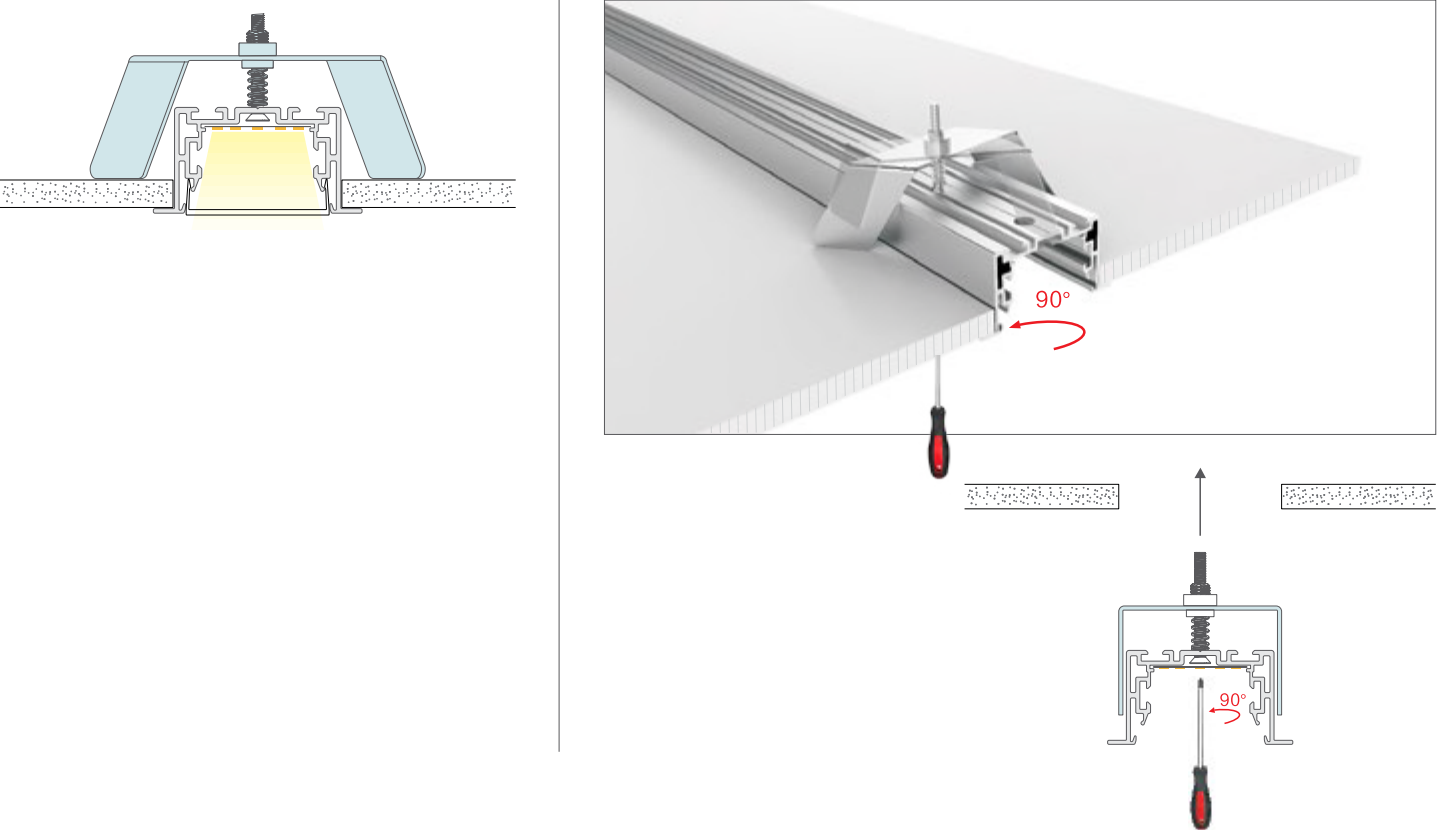


Chain GLE Series Installation

Recessed Schematic diagram



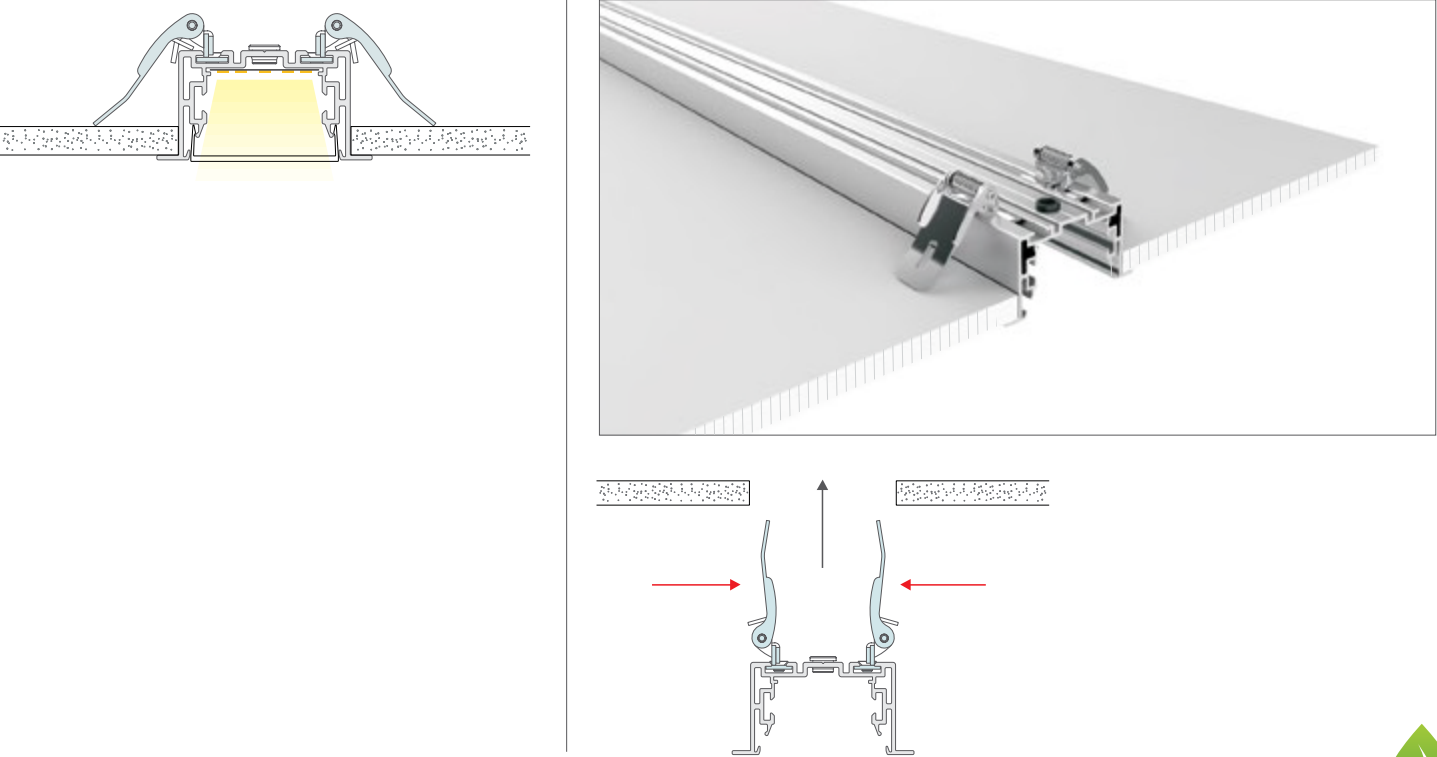
Step1: "LEXXX-RN" type Clip set to profile body
Step2: 90 ° rotation pressing button on profile



Recessed Schematic diagram



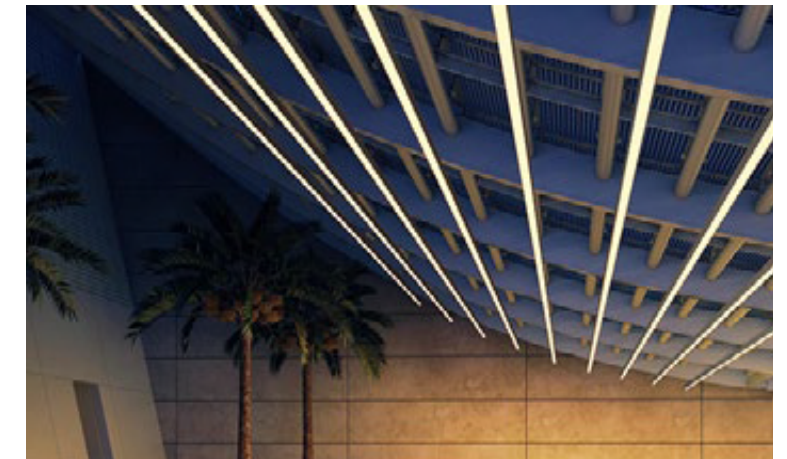
Step1: "LEXXX-RB" type Clip set to profile body
Step2: Push the body up, stuck with the wall



Chain Series LED Linear Light



Home Lighting



Commercial Lighting



Office Lighting



Industrial Lighting

