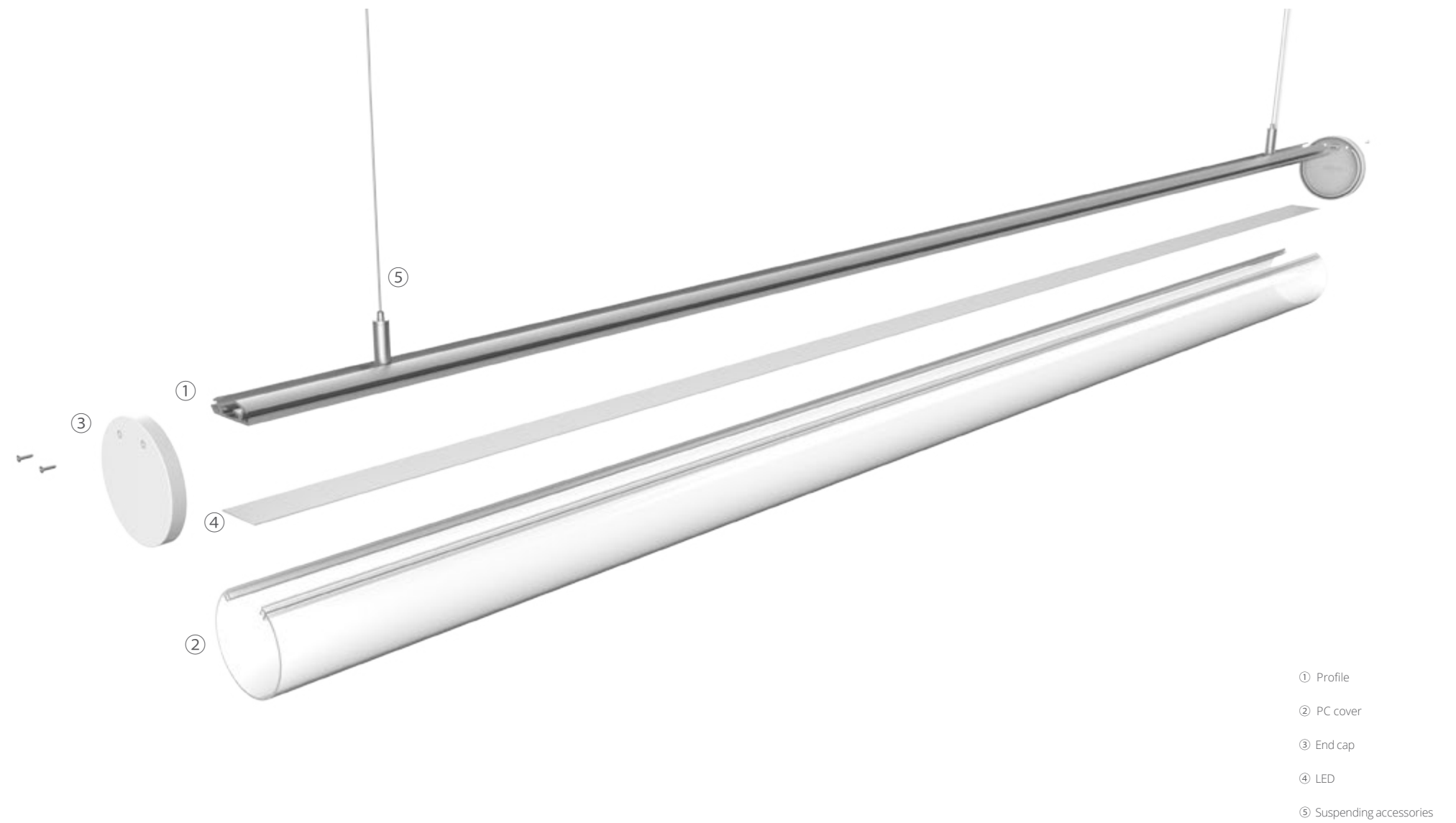


Chain GLT SERIES

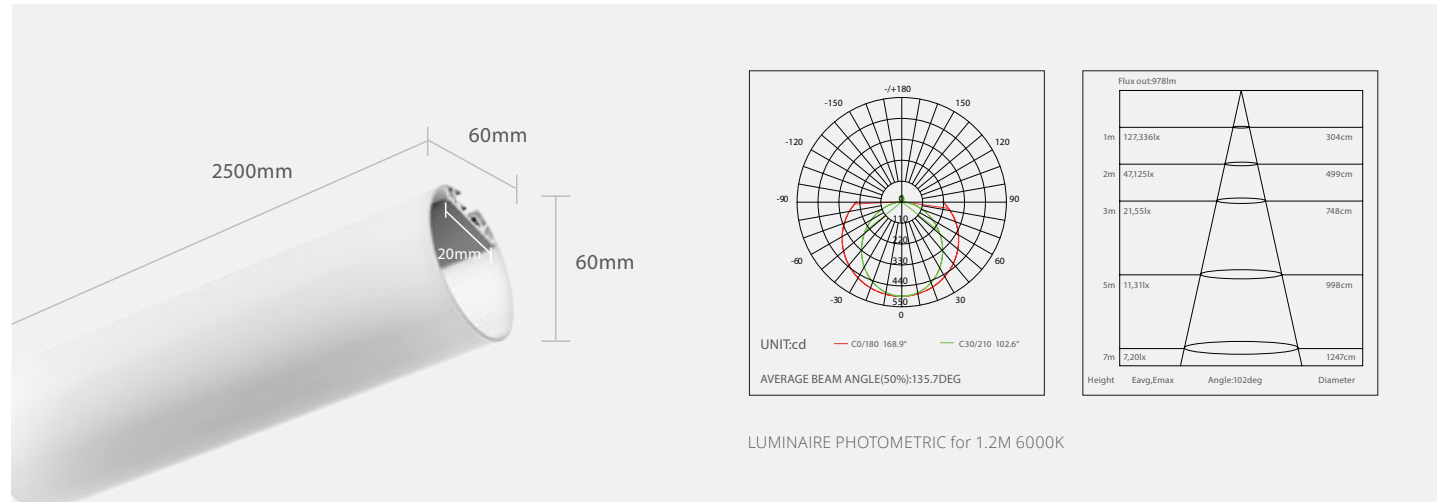
Simple, stylish, unique appearance;
Imported cover, light transmittance > 85%



GLT 60



greenlux
cost reduction LED lighting



Standard



GLT-60-PRx1



GLT-60-ECx2



GLT-60-CVx1

Optional



GLT-60-PY



GLT-60-CL



GLT-60-Strip



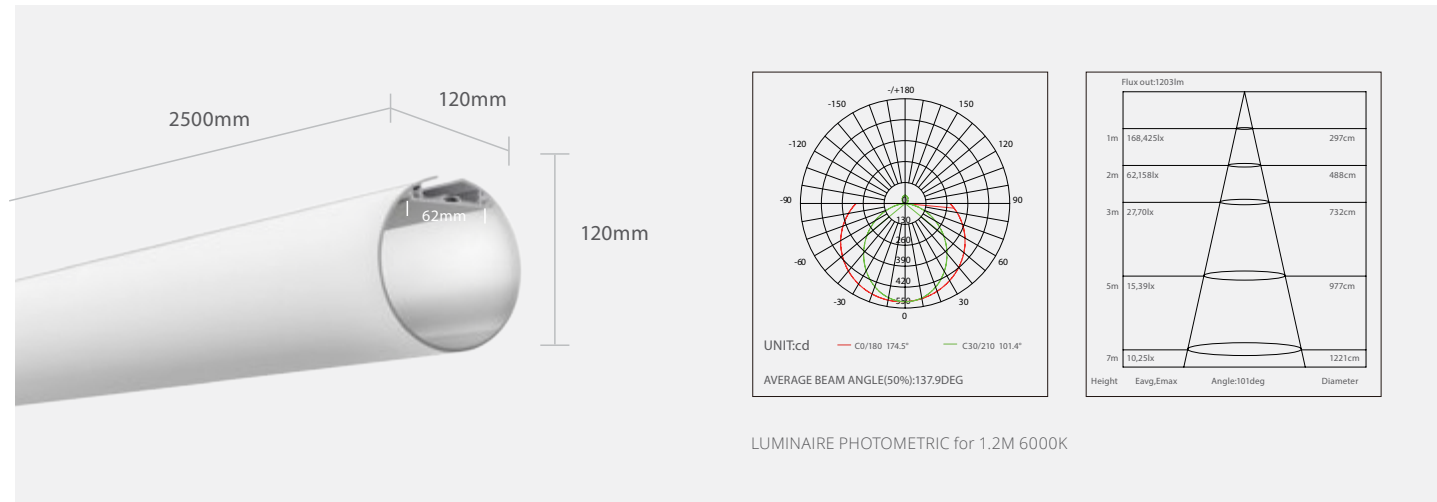
CN1001/CN1003



GLT 120  



greenlux
cost reduction LED lighting



Standard



GLT-120-PR1



GLT-120-EC2



GLT-120-CV1

Optional



GLT-120-PY



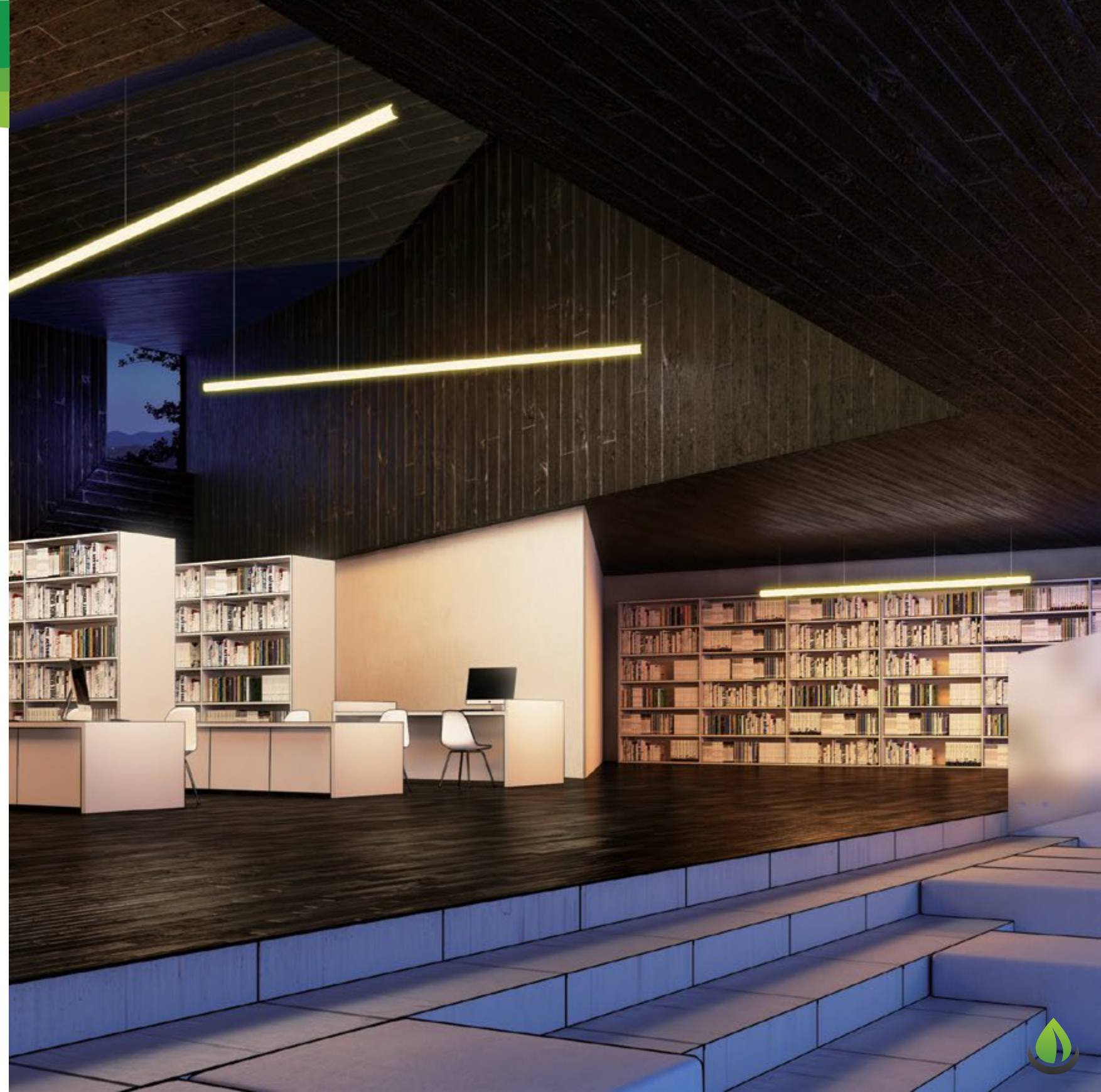
GLT-120-CL



GLT-120-Strip



CN1001/CN1003

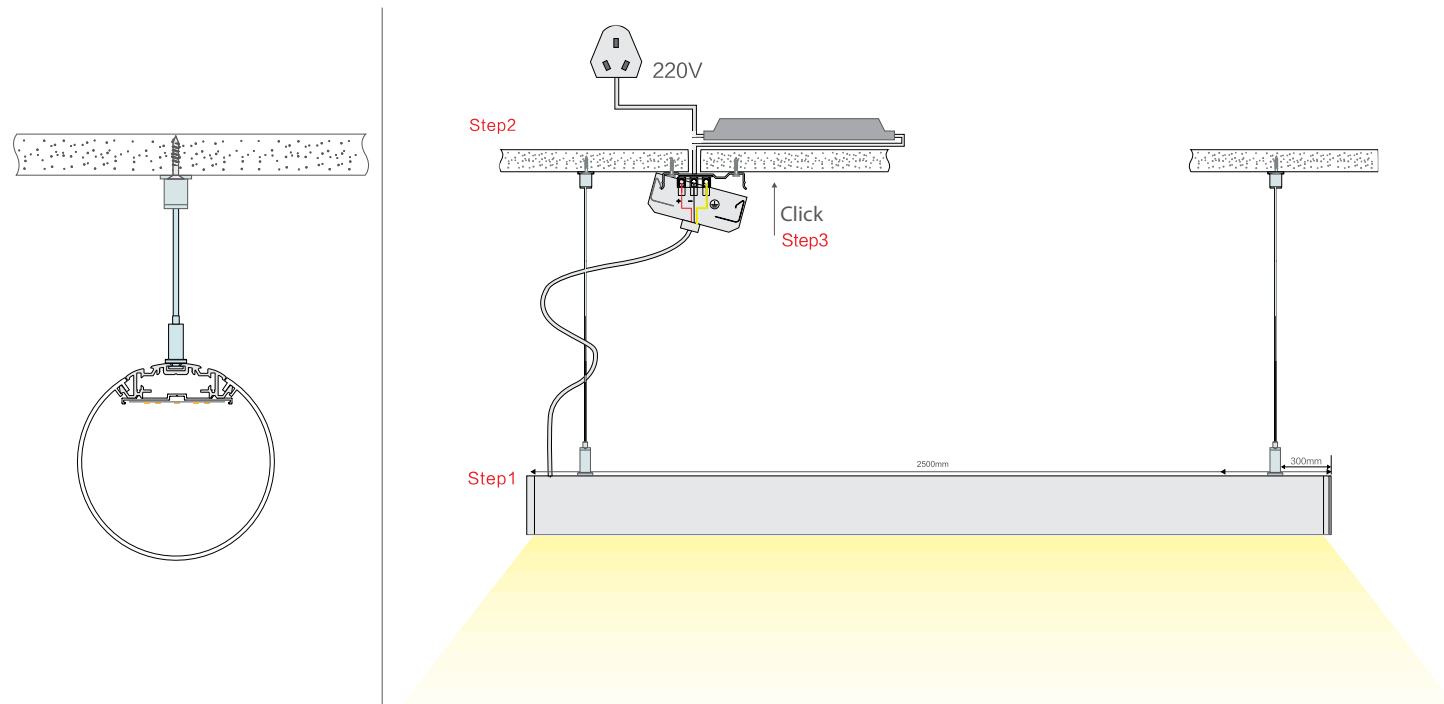


Chain GLT Series Installation

Pendant Diagram



- Step1: Main body installation: profile + driver + LED + end cap + cover
- Step2: Hanging wire positioning
- Step3: Install canopy



Surface Mounted Diagram



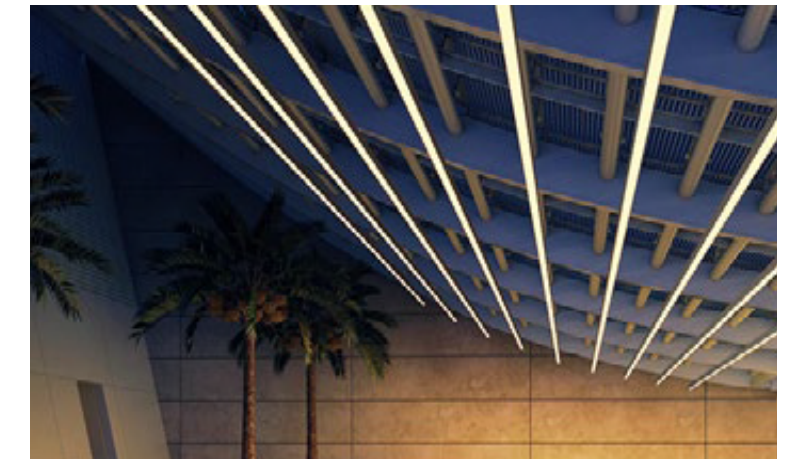
- Step1: Main body installation: profile + driver + end cap
- Step2: Install LED + cover



Chain Series LED Linear Light



Home Lighting



Commercial Lighting



Office Lighting



Industrial Lighting

