

Citi 02 LED Track Spot Light



Barn Door



Honeycomb
Louver



Standard



Cross
Louver

Citi 02 LED Track Spot Light

Introduction



◀ Citi 02 led track light with simple design structure and interchangeable reflectors and trim, creating a diversified and dramatic atmosphere for targeted objects in different accent lighting situations; Changeable lighting orientation with 350° in horizontal direction and 90° in vertical direction; Tridonic DALI solution and Citizen chip ensure reliable quality.

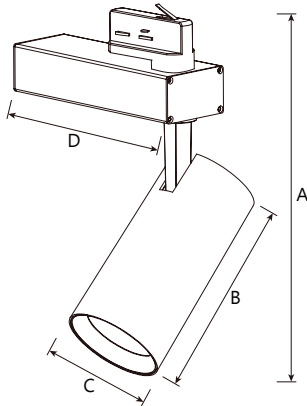
Features

- Citizen COB led, Standard/Triac/0-10V/DALI dimming options.
- CRI80 CRI90 CRI97 for options.
- Supreme 6063 aluminum heat sink with great heat dissipation.
- Anti-glare PMMA lens with great lighting distribution.
- Beam angle: 15D/24D/36D available.
- Trims: Standard/honeycomb/shutter for optional.
- Adjustable lighting orientation with 350 degree in horizontal direction and 90 in vertical direction.
- Application-oriented operating window for maximum compatibility.
- Best energy savings due to low stand-by losses and high efficiency.

Application Areas

It is suitable for supermarket, specialty store, show window, exhibition hall; focus lighting, decorative and background lighting, where attention is focused on subjects to emphasize special visual points.

Citi 02 LED Track Spot Light



Measurement

Model	Dimension(mm)				Size(mm)	Product Weight (Kg)	
	A	B	C	D		N.W/PC	G.W/PC
25W	298	170	85	198	298*198*85	0.9	1.04
35W	328	200	85	198	328*198*85	0.95	1.09
42W	328	200	100	198	328*198*100	1.2	1.34

Technical Data Sheet

Model No.	GUCIT-25W-02		GUCIT-35W-02		GUCIT-42W-02	
Watt(W)	25W		35W		42W	
Dimension(mm)	298*198*85		328*198*85		328*198*100	
Rated Input Voltage(V)	AC230V					
Input Voltage(V)	AC220-240V					
LED	COB					
SDCM	-					
CCT(K)	2700K / 3000K / 4000K / 5000K					
"Luminous Flux (lm) ±10%"	Non-DIM	-	-	-	-	-
	DIM	2255~2610	2995~3490	3995~4110		
LED Driver	Built-out (Tridonic)					
Protection Class	Class I					
CRI	≥80					
Beam Angle (°)	15° / 24° / 36°					
DIM	DALI Dimmable					
IP Rating	IP20					
IK Rating	-					
Finishing color	White RAL9003					
Material	PC / Aluminium					
Lifetime (hr)	50,000h					
Glow wire test (°C)	750°C					
Operating Temp.(°C)	-20°C~45°C					
Storage Temp.(°C)	25°C					
Installation	Track					
Brand Driver option	-					