





LED Linear High Bays



Better solutions for a Led Linear Highbays

-  **IP65 water-proof**
 -  **AC100-277V 50/60Hz**
 -  **Easy Installation**
 -  **130Lm/w**
- Operating Temp.:** -40°C ~+50°C **Storage Temp.:** -40°C ~+80°C



Options

Power SOSEN DRIVER	Color 3000K 4000K 5000K 5700K	Beam Angle 60×100°
------------------------------	--	------------------------------

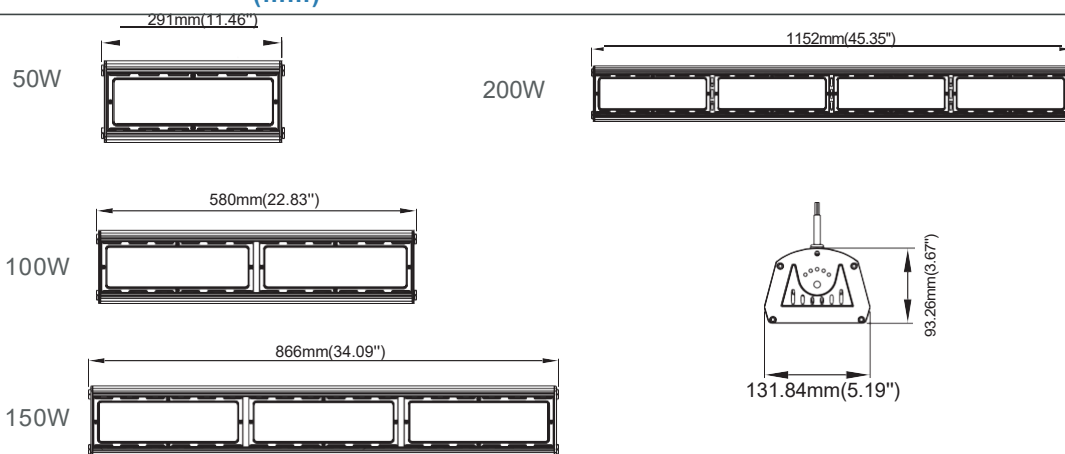
Application

Factories, Steel Mills, Steel Smelting Plants, Farms, sport Facilities & Workshops, Storage Facilities & Warehouses, Supermarkets & Department Stores, Showrooms, Design Centers & Galleries.

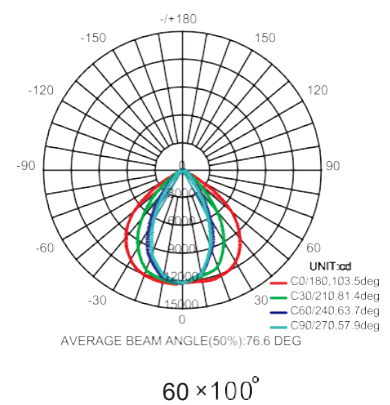
Specifications

Item	Power	Luminous Efficacy	Leds	CRI	Weight	Beam Angle
GBLIN-50W	50W	130Lm/w	SMD 2835	80	2.00kg	60*100°
GBLIN-100W	100W	130Lm/w	SMD 2835	80	3.22kg	60*100°
GBLIN-150W	150W	130Lm/w	SMD 2835	80	4.37kg	60*100°
GBLIN-200W	200W	130Lm/w	SMD 2835	80	5.51kg	60*100°

Dimensions (mm)



Photometry



LED Linear High Bays

Model Options



P1 Hanging Installation (Standard)



P2 Ceiling Installation

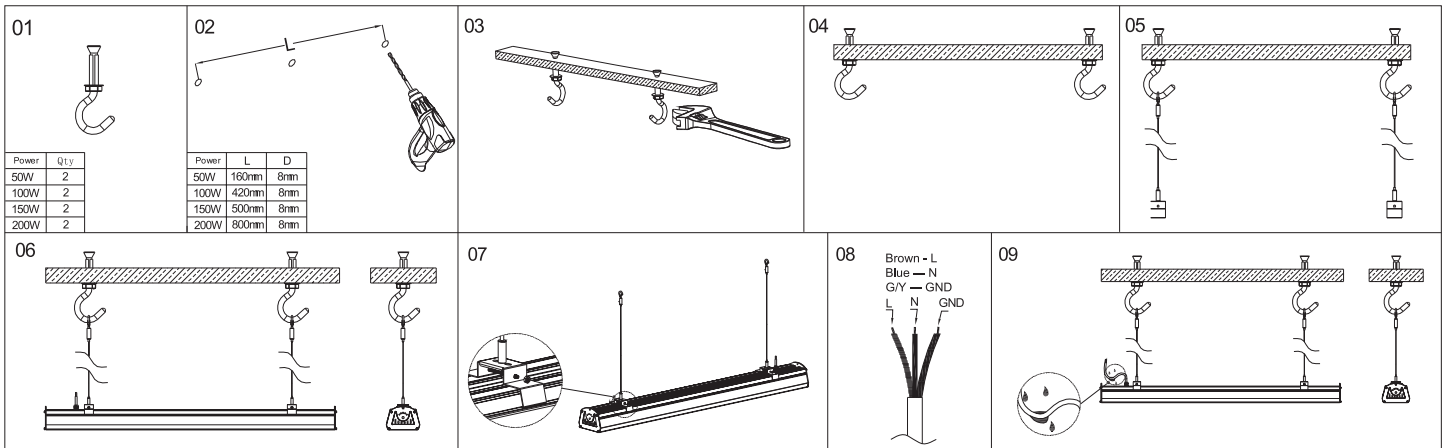
Control optional



Microwave Motion Sensor

Installation and use

P1 Hanging Installation (Standard)



P2 Ceiling Installation

