

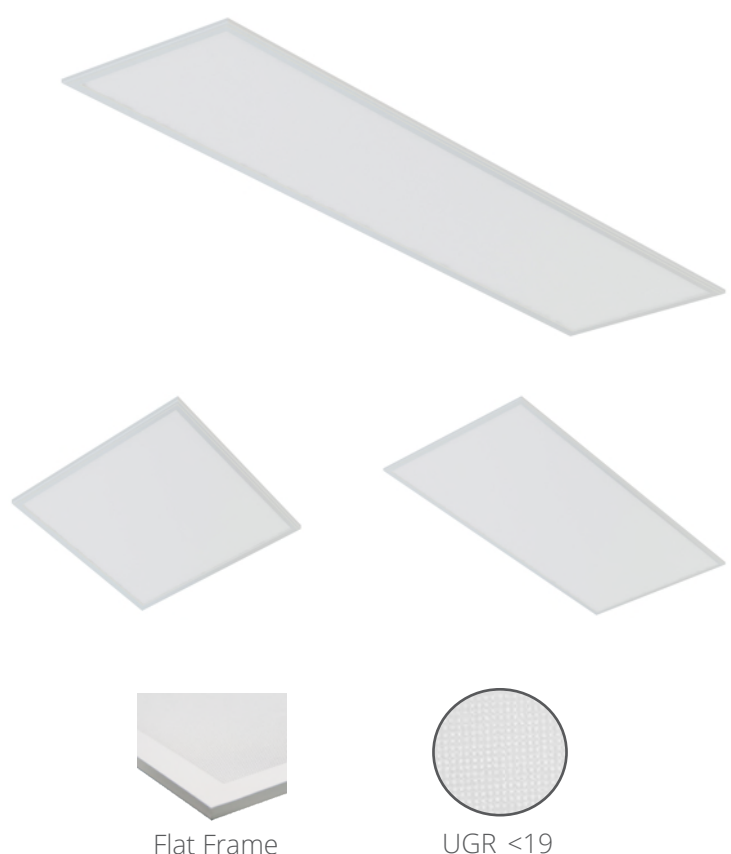


greenlux
cost reduction LED lighting

Opal F Series LED Panel Light

Available in Multiple Wattage
80% lumen maintenance at 50,000 hours

- Instant power reduction!
- Available in with airconditioning vents
- Low UGR <19
- Flat frame with white color surround
- High lumen efficiency 95~100lm/W
- Dimmable version available Dali or Triac 0~10V
- PPMA Diffuser
- No IR or UV radiation, low heat generation
- Evenly distributed light; does not spot or shadow
- Variety of installation options: surface mounted, suspended or recessed
- Applications offices, convention centres, hotels, large retail stores, schools & hospitals



Flat Frame



UGR <19

Specifications

Colour Range	3000-6000K	
Power Consumption	6060	35W~45W
	1230	35W~45W
	1260	55W~60W
Input Voltage	100~240V AC 50/60Hz	
Dimmable	Triac/0~10V/Dali (option)	
Beam angle	110°	
Chipsets	SMD 2835 LED	
IP Rating	IP40	
PF	>0.95	
CRI	>80 or >90 (option)	

Dimensions

Product Dimensions (mm)	6060	595*595*9 (L*W*H)
	1230	1195*295*9 (L*W*H)
	1260	1195*595*9 (L*W*H)
Weight	3.4kg/3.51kg/7.5kg	
Housing Material	Aluminium body + Frosted PAMA Cover	
Housing Colour	White	





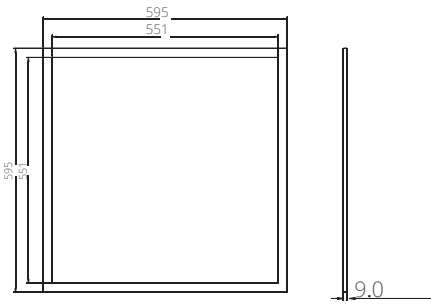
greenlux
cost reduction LED lighting

Opal F Series LED Panel Light

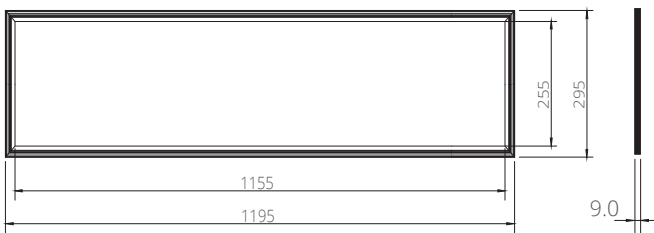
Available in Multiple Wattage
80% lumen maintenance at 50,000 hours

Dimensions

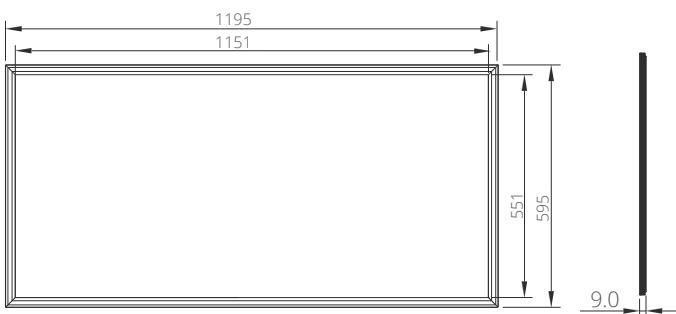
595*595*9mm



1195*295*9mm



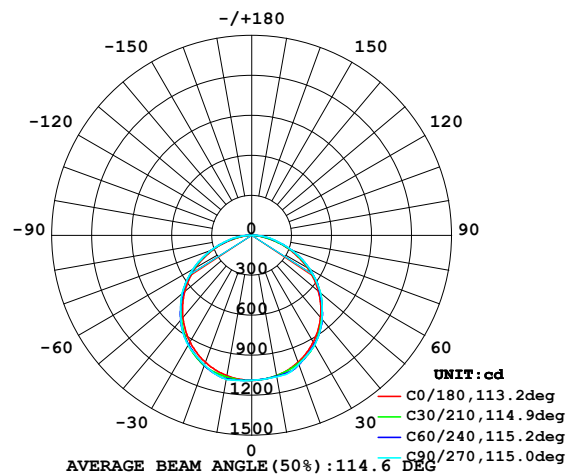
1195*595*9mm



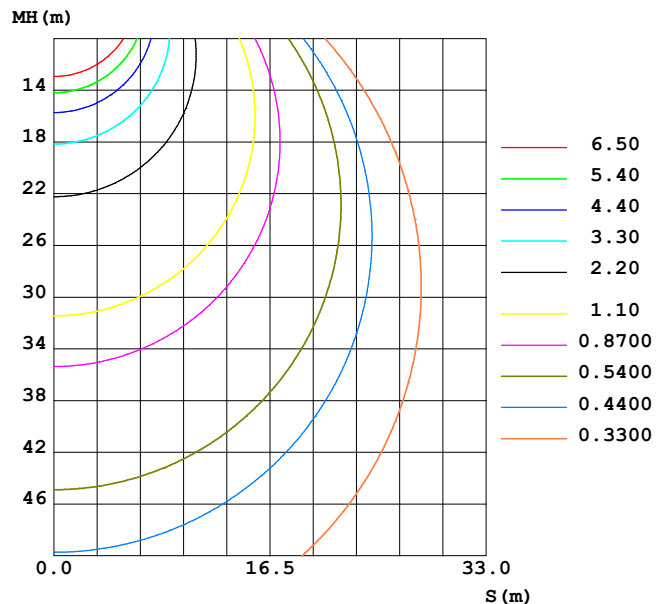
Photometric

LUMINOUS INTENSITY DISTRIBUTION DIAGRAM

Model: GSOPA-45W



C0 PLANE ISOLUX DIAGRAM (UNIT:lx)





greenlux
cost reduction LED lighting

Opal F Series LED Panel Light

Available in Multiple Wattage
80% lumen maintenance at 50,000 hours

Product Range

Model#	Length (mm)	Beam Angle	CCT	Lumens	Wattage	LED
GSOPA-35W-6060-F	595*595*9	110°	6000-6500k	3500	35W	SMD 2835
	595*595*9	110°	3800-4200k	3500	35W	SMD 2835
	595*595*9	110°	2800-3200k	3325	35W	SMD 2835
GSOPA-45W-1230-F	1195*295*9	110°	6000-6500k	4500	45W	SMD 2835
	1195*295*9	110°	3800-4200k	4500	45W	SMD 2835
	1195*295*9	110°	2800-3200k	4275	45W	SMD 2835
GSOPA-55W-1260-F	1195*595*9	110°	6000-6500k	5500	55W	SMD 2835
	1195*595*9	110°	3800-4200k	5500	55W	SMD 2835
	1195*595*9	110°	2800-3200k	5225	55W	SMD 2835

