



greenlux
cost reduction LED lighting

Crest Series surface Mounted LED Downlight

Available in Multiple Wattage
80% lumen maintenance at 50,000 hours

- 0% Mercury, 100% Environmentally friendly
- No IR or UV radiation, low heat generation
- Triac dimmer system for option
- Surface mounted
- High lumen output
- High quality COB Chipset
- High quality Aluminium Base and body provides excellent heat dissipation
- High quality Class II SAA Driver
- 3 Year Warranty
- Applications includes hotels, households, offices, shops and public areas such as stairways, lobbies, receptions and corridors

Specifications

Colour Range	3000-6000k	
Power Consumption	10W ~ 35W	
Luminous Flux	810lm ~ 2900lm	
Input Voltage	100V / 240V AC	
Current	10W	250mA
	15W	350mA
	25W	600mA
	35W	800mA
Power Factor	>0.9	
CRI	>80	
Operating Temp.	-20°C to 45°C	
Beam angle	60°	
IP Rating	IP 54	
Dimmable	Triac Dimmer (option)	



Dimensions & Materials

Product Dimensions (mm)	10W	Ø90*100
	15W	Ø90*100
	25W	Ø120*110
	35W	Ø160*120
Housing Material	Aluminum Alloy + PC Cover	
Housing Colour	White / Black	

Certification and Safety

Certifications	IP54, CE, RoHS, SAA, RCM
Environment	Indoor Location
Warranty	3 years



STRAIGHTFORWARD Design



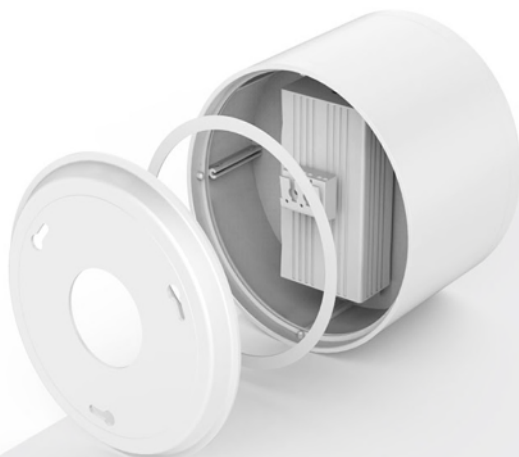
HIGH QUALITY REFLECTOR

The lamp adopts high quality reflector which has good reflective rate and light output > 86%



AL6063 ALUMINUM BODY

with oxidation treatment provides corrosion resistance and excellent heat dissipation performance

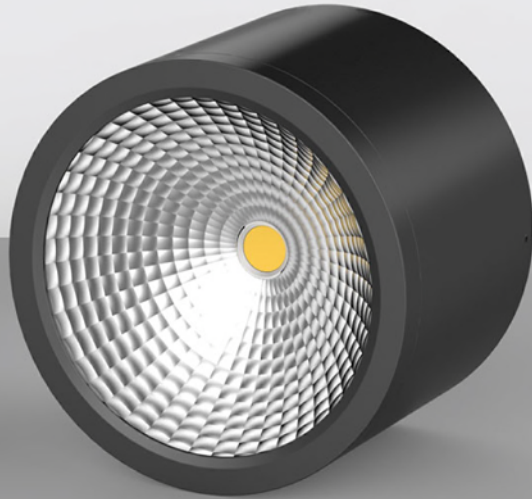


BUILT-IN DRIVER

is independent and replaceable, which is friendly maintenance

STYLISH APPEARANCE

easy to install



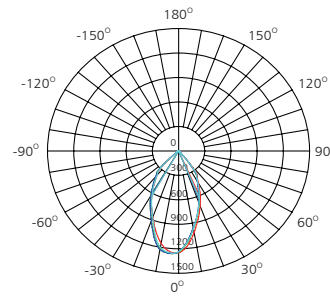
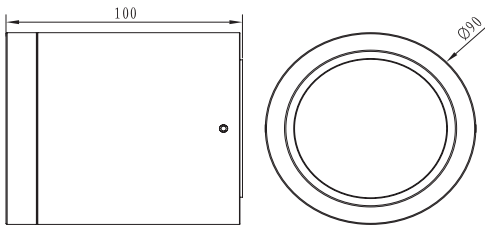


greenlux
cost reduction LED lighting

Crest Series surface Mounted LED Downlight

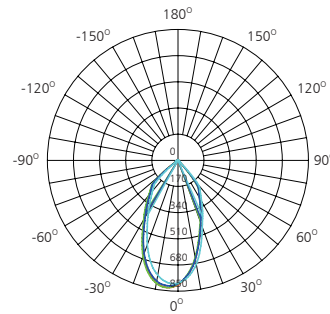
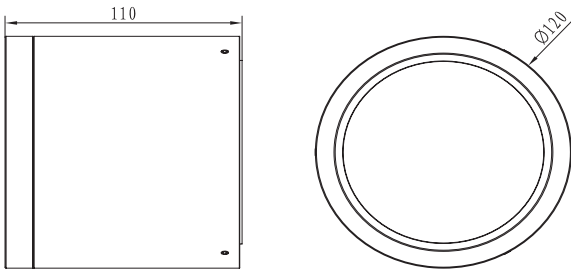
Dimensions & Photometrics

10W / 15W



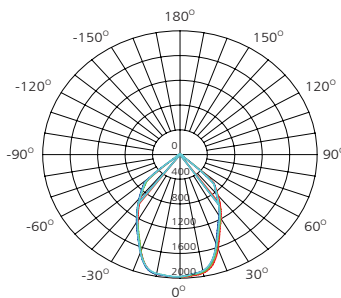
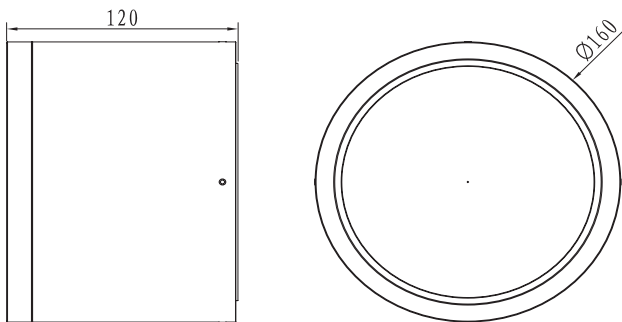
AVERAGE BEAM ANGLE (50%): 52.3DEG

25W



AVERAGE BEAM ANGLE (50%): 52.7DEG

35W



AVERAGE BEAM ANGLE (50%): 72.8DEG

Model

Model#	Dimensions (mm)	IP Rating	Beam Angle	CCT	Lumens	Wattage	LED	Dimmer (option)
GUCRE-10W	Ø90*100	IP54	60°	3000-6000k	810	10W	COB	Triac
GUCRE-15W	Ø90*100	IP54	60°	3000-6000k	1125	15W	COB	Triac
GUCRE-25W	Ø120*110	IP54	60°	3000-6000k	2200	25W	COB	Triac
GUCRE-35W	Ø160*120	IP54	60°	3000-6000k	2900	35W	COB	Triac