

Ecko 03 Series Gas Station LED Canopy Light



Better solutions for a Led Gas Station Canopy Light

-  **IP65 water-proof**
-  **AC100-277V 50/60Hz**
-  **Easy Installation**
-  **150Lm/w**



Options

Power

MEAN WELL DRIVER
 ELG series A: Standard
 ELG series B: Dimmable 0-10V
 ELG series DA: Dimmable DALI

Color

3000K
 4000K
 5700K

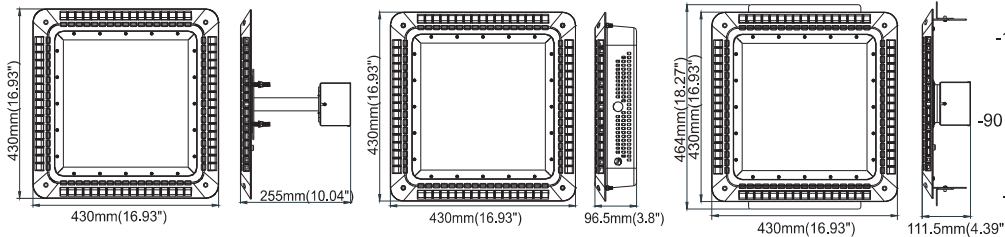
Application

The LED Gas Station Light provides a energy saving solution to a wide spectrum of applications including, but not limited to security lighting in schools, office complexes, light commercial development, apartments, parking garages, entryways, and stairwells. It also can be used in workshop, warehouse, parking lot, toll gate, gas station, supermarket, exhibition hall, gym and other places.

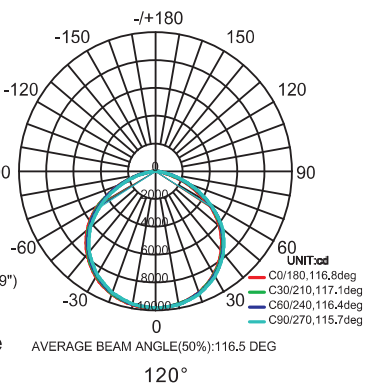
Specifications

Item	Power	Lumen	Leds	CRI	Weight	Beam Angle
GBECK-60W-03	60W	9000Lm	LUMILEDS 3030	> 80	7.7kg	120°
GBECK-80W-03	80W	12000Lm	LUMILEDS 3030	> 80	8.2kg	120°
GBECK-100W-03	100W	15000Lm	LUMILEDS 3030	> 80	8.6kg	120°
GBECK-120W-03	120W	18000Lm	LUMILEDS 3030	> 80	8.6kg	120°
GBECK-150W-03	150W	22500Lm	LUMILEDS 3030	> 80	9.3kg	120°
GBECK-180W-03	180W	27000Lm	LUMILEDS 3030	> 80	9.7kg	120°
GBECK-200W-03	200W	30000Lm	LUMILEDS 3030	> 80	9.7kg	120°

Dimensions(mm)



Photometry



P1 Hanging installation (Standard)

P2 Surface mounting installation

P3 Recessed Installation Frame

AVERAGE BEAM ANGLE(50%):116.5 DEG

120°



Ecko 03 Series Gas Station LED Canopy Light

Model Options



P1 Hanging installation (Standard)



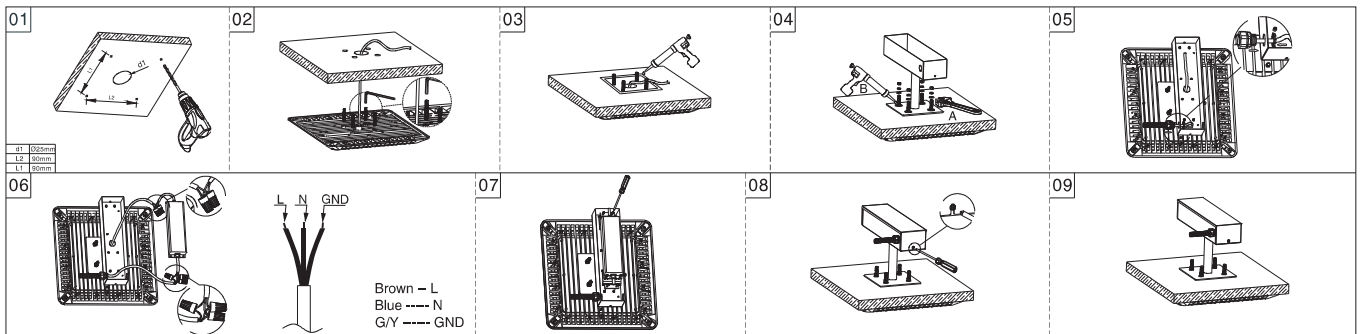
P2 Surface mounting installation



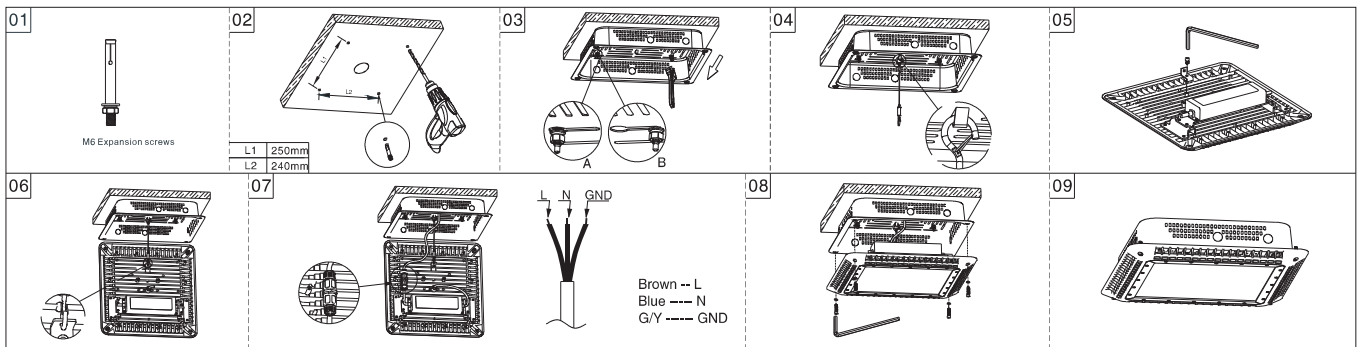
P3 Recessed Installation Frame

Installation

P1 Hanging installation (Standard)



P2 Surface mounting Installation



P3 Recessed Installation Frame

