



greenlux
cost reduction LED lighting

Fab Series Surface Mounted LED Downlight

Two Installation Types
Suspended / Surface Mounted



SMD



COB



Specifications

Colour Range	3000-5000k
Power Consumption	10W ~ 35W
Luminous Flux	90lm/W
Input Voltage	100V / 240V AC
Power Factor	>0.9
CRI	>80 / >90
Beam angle	SMD 90 COB 50
IP Rating	IP 44

Dimensions & Materials

Product Dimensions (mm)	SMD	5" Ø129.5*99
		6" Ø162*114.3
		8" Ø196.5*129.7
Housing Material	COB	4" Ø117.5*115.5
		5" Ø137*113.2
		6" Ø170*137
Housing Colour		8" Ø200*139
	Aluminum Alloy + PC Cover	
Housing Colour		White / Black



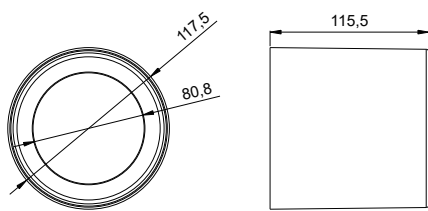


greenlux
cost reduction LED lighting

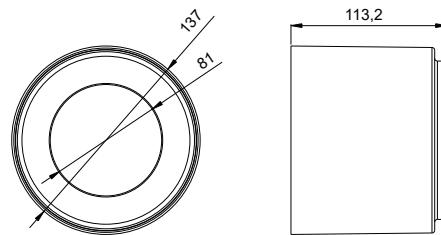
Fab Series Surface Mounted LED Downlight

Dimensions

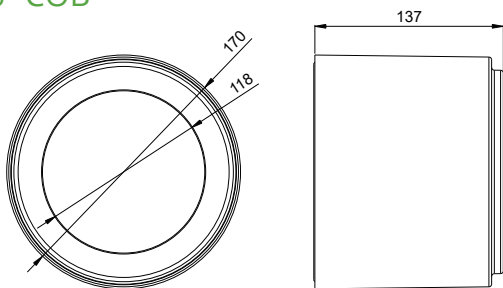
4" COB



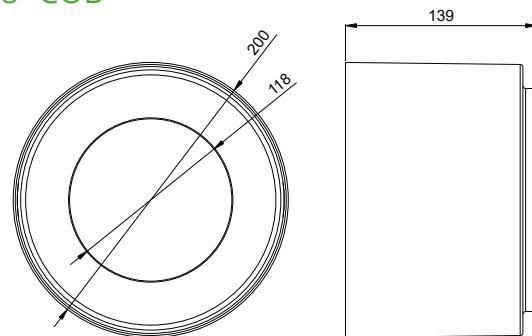
5" COB



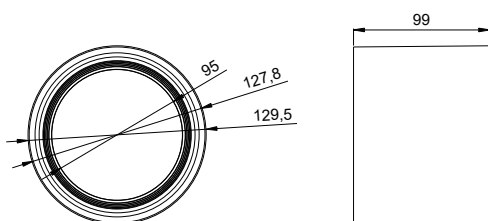
6" COB



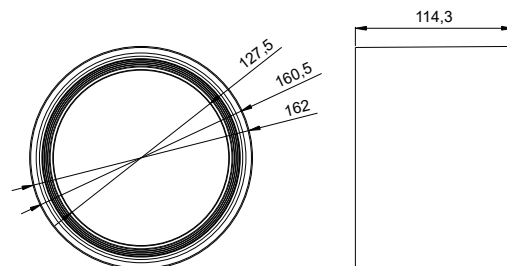
8" COB



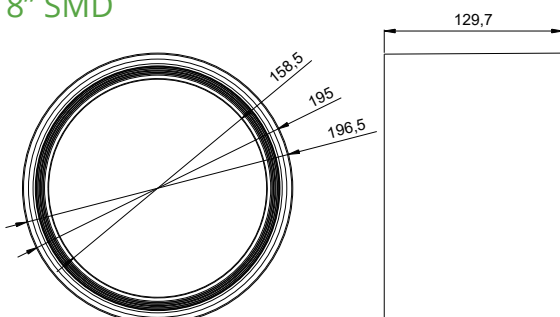
5" SMD



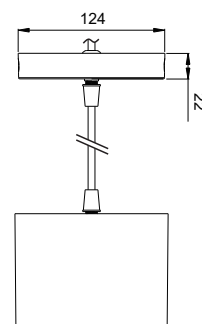
6" SMD



8" SMD



Suspended Installation





greenlux
cost reduction LED lighting

Fab Series Surface Mounted LED Downlight

Model#	Dimensions (mm)	IP Rating	Beam Angle	CCT	Lumens	Wattage	LED
SMD							
GSFAB-10W-SMD	Ø129.5*99				900	10W	
GSFAB-16W-SMD	Ø162*114.3	IP44	90°	3000-5000k	1790	15W	SMD 2835
GSFAB-25W-SMD	Ø196.5*129.7				3020	25W	
COB							
GSFAB-12W-COB	Ø117.5*115.5				1050	12W	
GSFAB-15W-COB	Ø137*113.2				1270	15W	
GSFAB-20W-COB	Ø137*113.2	IP44	50°	3000-5000k	1860	20W	COB
GSFAB-25W-COB	Ø170*137				2450	25W	
GSFAB-30W-COB	Ø200*139				2770	30W	

