

Hesper Series LED High Bay



Better solutions for a Led Highbay Light

-  **IP65 water-proof**
-  **AC100-277V 50/60Hz**
-  **Easy Installation**
-  **135Lm/w**

Options

Power	Color	Beam Angle
MEAN WELL DRIVER	3000K	50°
Standard on/off	4000K	90°
Dimmable	5700K	



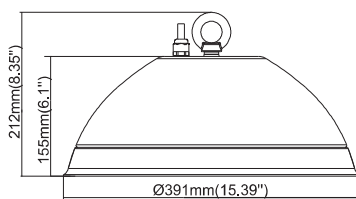
Application

Factories, Steel Mills, Steel Smelting Plants, Manufacturing Plants & Warehouses
 Farms and Industrial Installations, Sport Facilities & Workshops, Storage Facilities & Warehouses
 Supermarkets & Department Stores, Showrooms, Design Centers & Galleries.

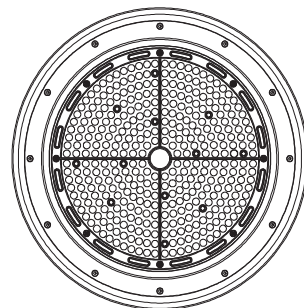
Specifications

Item	Power	Lumen	Leds	CRI	Weight	Beam Angle
GBHES-80W	80W	10800Lm	LUMILEDS 3030	> 80	3.70kg	50°/90°
GBHES-100W	100W	13500Lm	LUMILEDS 3030	> 80	3.70kg	50°/90°
GBHES-120W	120W	16200Lm	LUMILEDS 3030	> 80	4.64kg	50°/90°
GBHES-150W	150W	20250Lm	LUMILEDS 3030	> 80	5.26kg	50°/90°

Dimensions(mm)



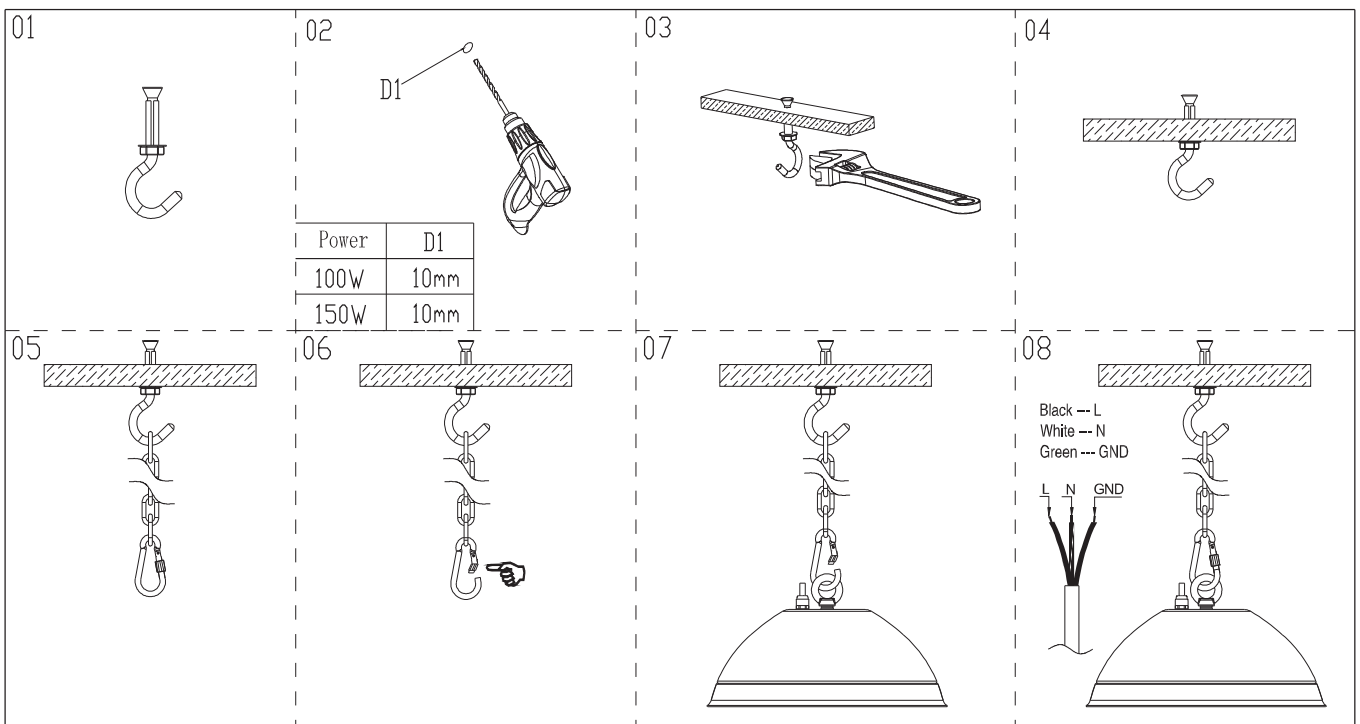
80W/100W/120W/150W



Hesper Series LED High Bay



Installation



Lens & Accessories:

Lens 90°	Lens 50°	Accessories Options				