



greenlux
cost reduction LED lighting

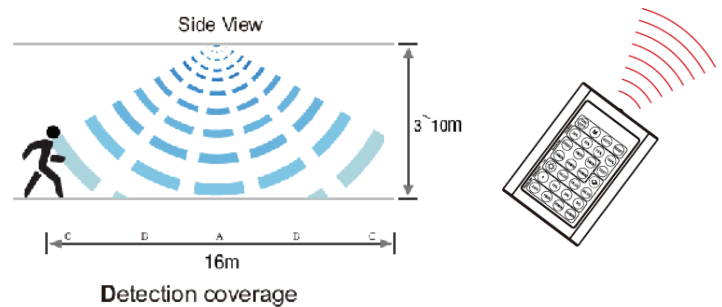
Infinity 02 Linear LED High Bay

Available in Multiple Wattage
80% lumen maintenance at 50,000 hours

- 2Ft: 60W/100W/120W/150W/180W
- 4Ft: 100W/150W/200W/250W/300W
- Excellent thermal management
- High efficiency Philips chipset up to 150lm/W
- High quality Pure Aluminum Housing
- Australian Standard Safety Driver
- 0-10V Dimmer option
- Microwave, Photocell & Motion Sensor options
- External 90-min emergency option
- Suspended & Pole Mounted Installation
- 5 Years Warranty
- Applications ideal for factories, gyms, airports, petrol stations, overpasses and warehouses, car parks, loading decks

Specifications

Colour Range	2700k ~ 6500k
Power Consumption	50W ~ 300W
Luminous Flux	140lm/W & 150lm/W
Input Voltage	120V ~ 277V AC
Power Factor	>0.95
Chipset	Philips
CRI	>80
Beam angle	40*90° / 70*90° / 120°
Housing Material	Aluminum + PC
Housing Colour	White



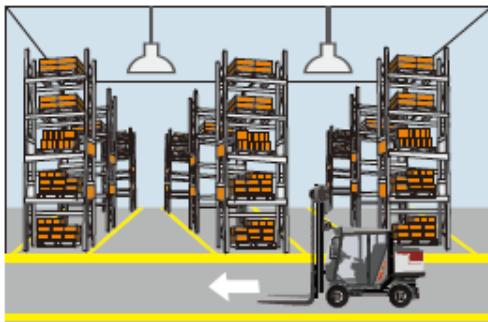


greenlux
cost reduction LED lighting

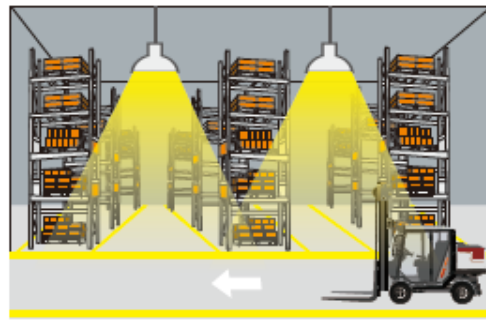
Infinity 02 Linear LED High Bay

Features of Linear high bay light with motion sensor

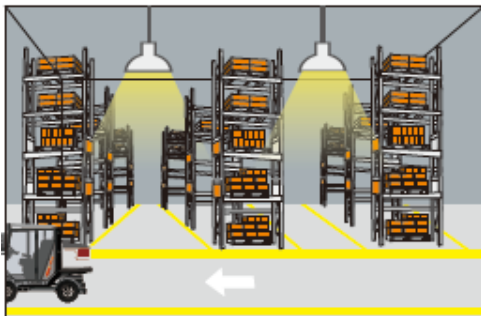
The linear high bay light with motion sensor which utilizes Doppler shift phenomenon to sense motion, Using the most popular 5.8GHz ISM band with high reliability, it won't be affected by noise, temperature, humidity. The detection signal can penetrate plastic, glass, wood panel and other thin non-metallic objects. If enable Light Sensor of internally integrated, the light can only be switch on with insufficient ambient light. The application function is set via remote controller, simple and convenient.



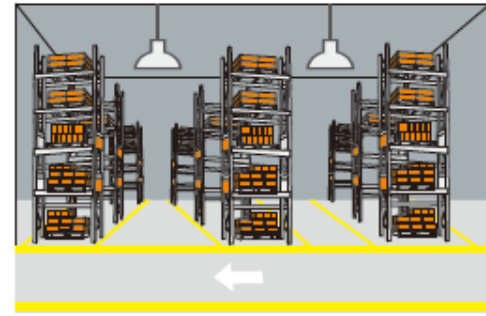
With sufficient ambient light, the lamp does not switch on.



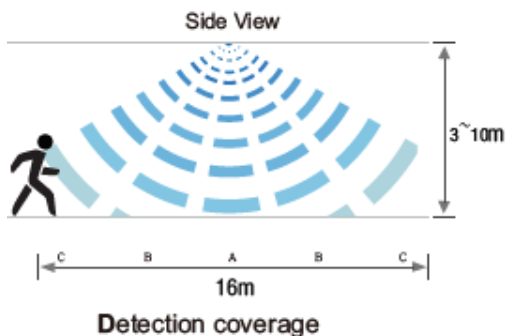
With insufficient ambient light, the lamp switches on when motion is detected.



After hold time, the lamp dims to a low light level if no new motion trigger.



After stand-by period, the lamp switches off if no motion is detected in its detection zone.



The function of Linear high bay light with motion sensor is default as the following at delivery:

Sensitivity: 75%;

Full brightness time delay: 5MIN;

Light sensation: 50LUX;

Dimming brightness: 30%

Low brightness time: 30 MIN;

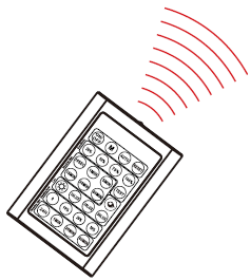


greenlux
cost reduction LED lighting

Infinity 02 Linear LED High Bay

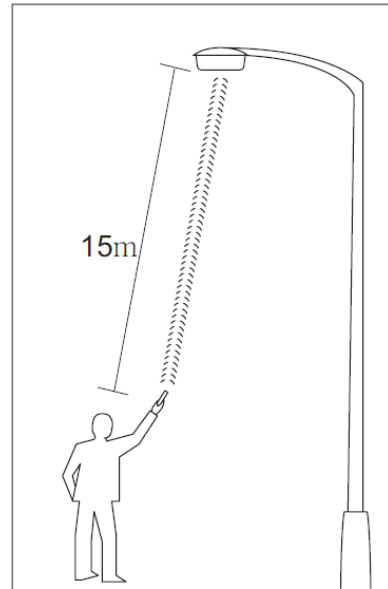
Remote Control

all control parameters are adjustable via a wireless configuration tool capable of storing and transmitting sensor profiles.



TECHNICAL DATA

- RC-101 With M Button
2 x 3AAA 1.5 Volt
depending on lighting conditions
- clouded or dark :
20 to 25m
sunshine :
10 to 15m
- L100 x W70 x H 16mm



<p>Remote controller Model: RC-101</p>		Press the on/off button, the light goes to permanent or permanent off mode, sensor is disabled.		This button test 2s is for testing purpose only. the sensor goes to test mode (hold time 2s) automatically after commissioning, meanwhile the stand-by period and daylight sensor are disabled.
		Memory the parameters		
		Press auto mode button, the sensor starts to work and all settings remain the same as the latest status before the light was switched on/off.		One touch button, the default is
		Sensitivity		The time delay for the state when the light is fully bright 100%.
		Press this button, the latest surrounding lux value overwrites previous lux value learned, and is set as the daylight threshold. This feature enables the fixture to function well in any real application circumstance.		Press the buttons of the daylight sensor to set daylight threshold at 10lux/30lux/50lux/☀️ (for daylight sensor disabled).
		Stand-by dimming level		Stand-by period (note: 24H is never off)

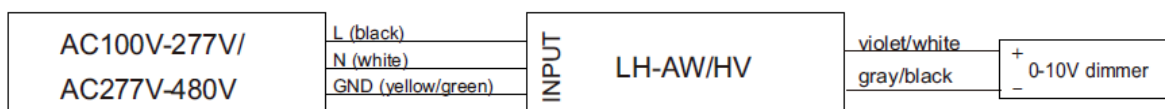
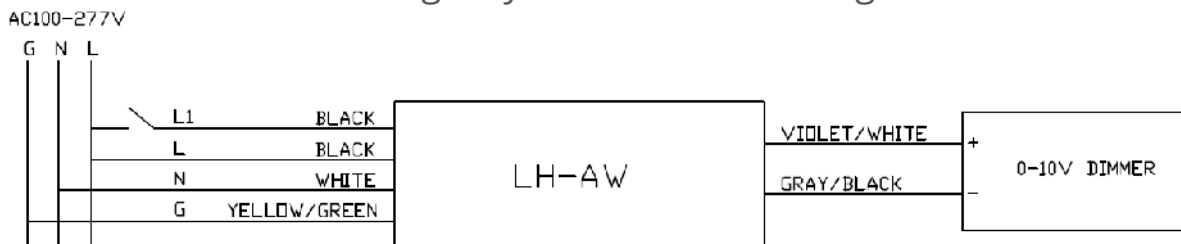


Infinity 02 Linear LED High Bay

Emergency Specifications

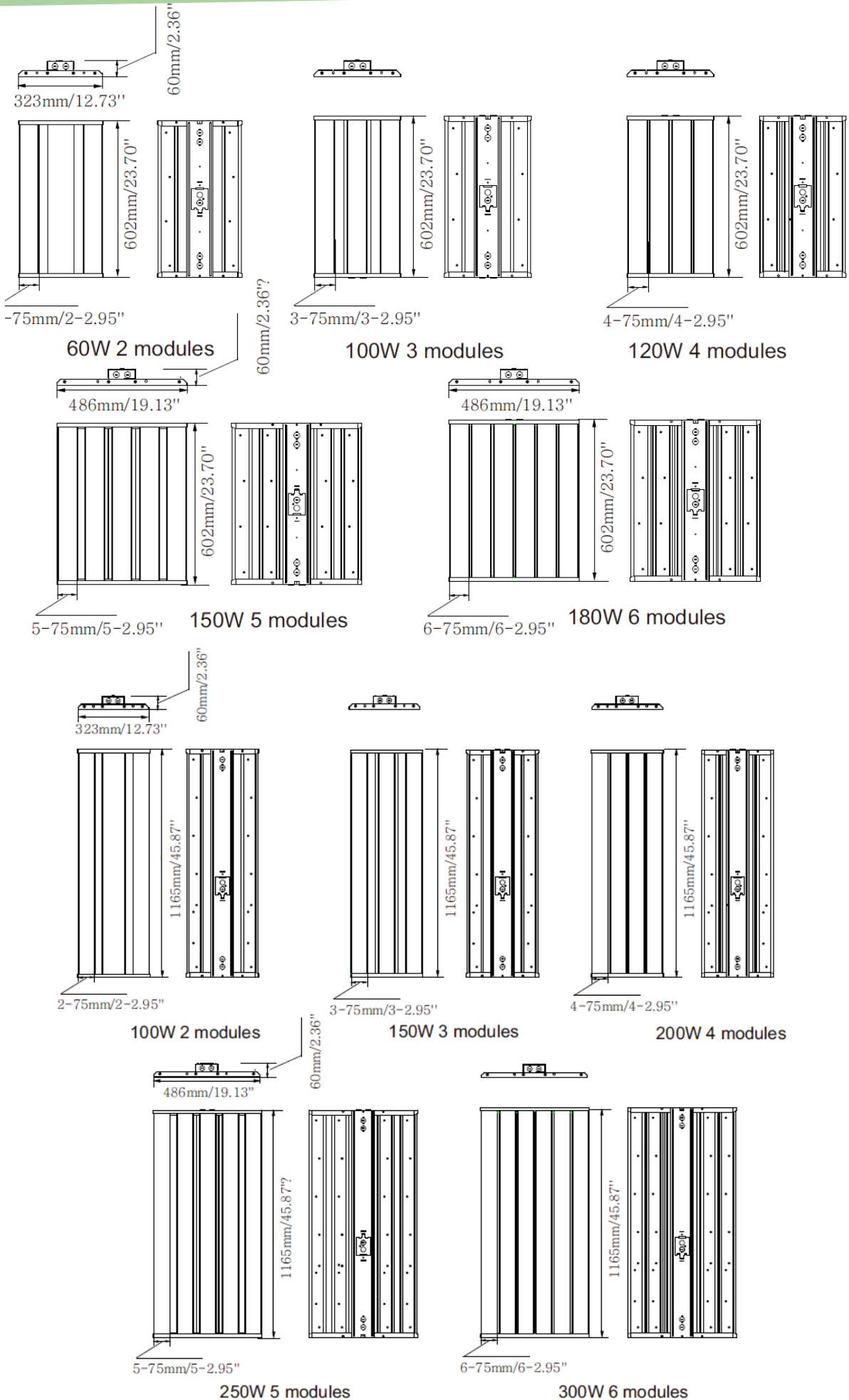
Length	Module	Power	Power configurations	Emergency module	Emergency power
2FEET	2 Module	60W	60W*1	2 Module	90 minutes
	3 Module	100W	100W*1	3 Module	
	4 Module	120W	60W*2	2 Module	
	5 Module	150W	60W*2 30W*1	2 Module	
	6 Module	180W	60W*3	2 Module	
4FEET	2 Module	100W	100W*1	2 Module	
	3 Module	150W	50W*3	1 Module	
	4 Module	200W	100W*2	2 Module	
	5 Module	250W	100W*2 50W*1	2 Module	
	6 Module	300W	100W*3	2 Module	

Emergency connection drawing



0-10V wiring diagram

Dimensions:

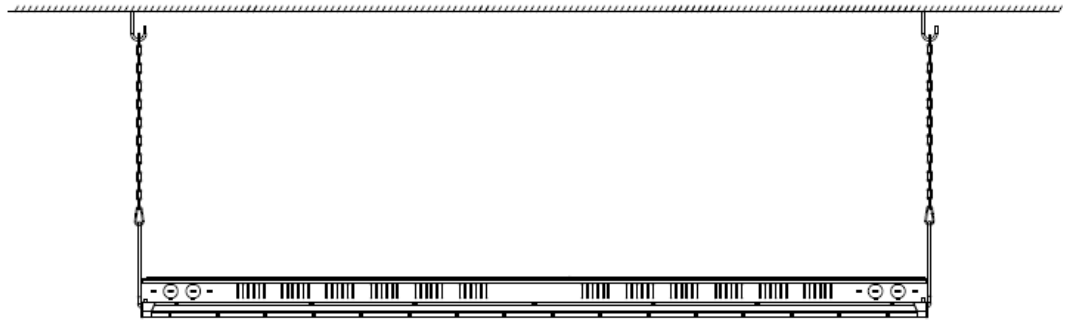
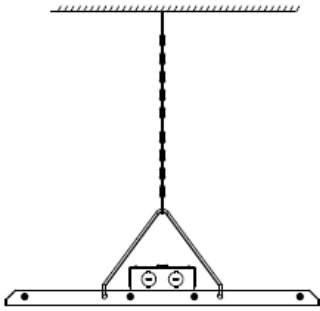




greenlux
cost reduction LED lighting

Infinity 02 Linear LED High Bay

Suspended Installation



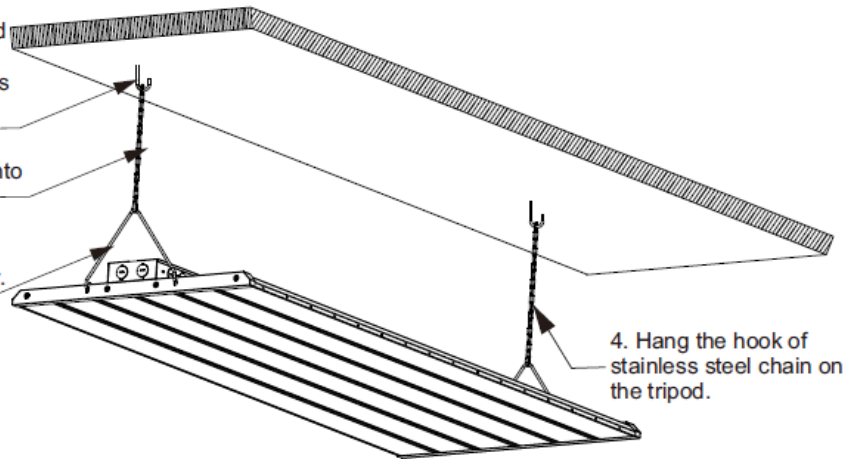
1225/48.23"
610/24.02"

Spacing of
installation hole:

1. Prepare a set of suspension parts by yourself and pre-embed it into the installation carrier and ensure that the suspension parts and installation carrier meet bearing requirements.

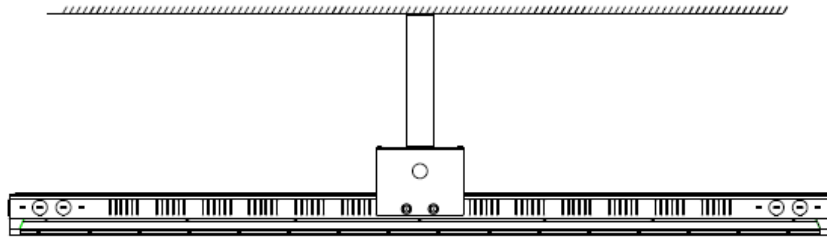
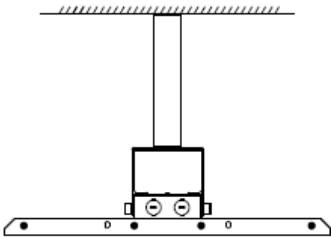
2. Hang stainless steel chain onto the suspension parts.

3. Hang the tripod onto the lamp body.

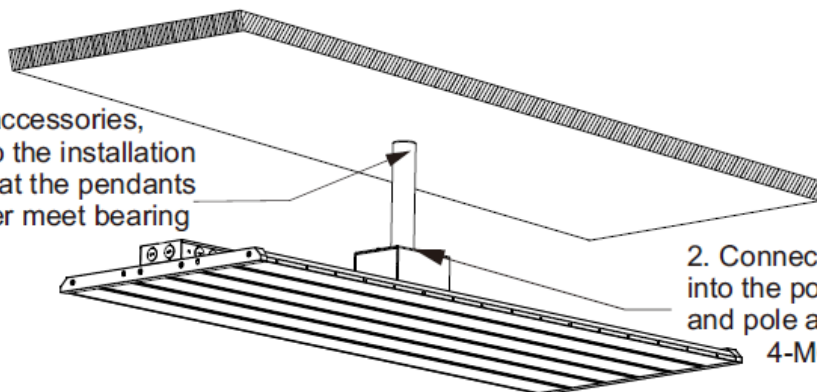


4. Hang the hook of stainless steel chain onto the tripod.

Pole-Mounted Installation



1. Prepare the pole accessories, and pre-embed it into the installation carrier and ensure that the pendants and installation carrier meet bearing requirements.



2. Connect the wire for pole installation into the power supply box. Fix the pole and pole assembly parts and tighten 4-M6 on the pole assembly parts.



greenlux
cost reduction LED lighting

Infinity 02 Linear LED High Bay

Model#	Dimensions (mm)	Weight (kg)	Beam Angle	CCT	Lumens	LED	Dimmer (option)
GSINF-60W-02		6.4kg	40*90°		9000		
GSINF-100W-02	602*323*60	8.0kg	70*90°	2700-6500k	15000	Philips	0-10V
GBFIN-120W-02		8.4kg	120°		18000		
GSINF-120W-02		10.6kg	40*90°		18000		
GSINF-150W-02	602*486*60	10.8kg	70*90°	2700-6500k	22500	Philips	0-10V
GSINF-180W-02		11.6kg	120°		27000		
GSINF-100W-02		10.6kg	40*90°		15000		
GSINF-150W-02	1165*323*60	12.6kg	70*90°	2700-6500k	22500	Philips	0-10V
GBFIN-200W-02		14.6kg	120°		30000		
GSINF-250W-02		16.6kg	40*90°		37500		
GSINF-300W-02	1165*486*60	18.6kg	70*90°/120°	2700-6500k	45000	Philips	0-10V

