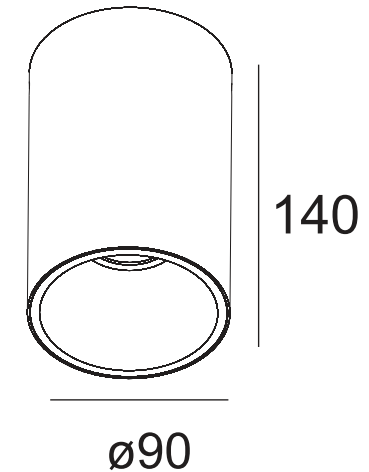


## LED Surface Mounted Down Light

### Specification



<b>Product code:</b>	GA-11W / GA-15W
<b>Power:</b>	11W / 15W
<b>Electric data:</b>	AC 220-240V 50/60Hz
<b>Lumen:</b>	880lm / 1520lm
<b>Beam angle:</b>	24° / 36° / 60°
<b>Color temperature:</b>	2700K / 3000K
<b>IP class:</b>	IP20
<b>CRI:</b>	>85 / >92
<b>Current:</b>	/
<b>LED source:</b>	COB LED
<b>Fixture material:</b>	Aluminum
<b>Finish:</b>	White / Black



## LED Surface Mounted Down Light



LM80

3 Yrs  
Warranty

RCM

SAA

IP20

TUV

9/331 Ingles Street  
Port Melbourne VIC 3207 Australia

info@greenlux.com.au  
sales@greenlux.com.au

T 1300 650 625  
www.greenlux.com.au