



**greenlux**  
cost reduction LED lighting

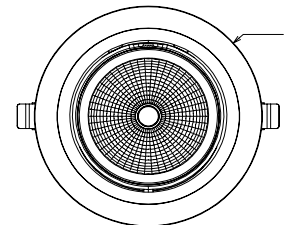
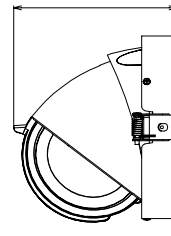
# Meika Series 01 LED Scoop Downlight

Available in Multiple Wattage  
80% lumen maintenance at 50,000 hours

- Anti-glare design, UGR<19
- 35° vertical, 350° horizontal adjustable lighting direction
- No UV or IR rays. No mercury
- Excellent heat dissipation to ensure long life span of LED
- High efficiency COB chipset with high luminous flux
- High quality Die-casting Aluminum Alloy Housing with Clear Diffuser
- Triac / 0-10V / Dali Dimmer System options
- IP20 Rated
- 3 Years Warranty
- Applications include offices, shops, restaurants, hotels, schools & households

## Specifications

<b>Colour Range</b>	3000k ~ 5700k
<b>Power Consumption</b>	10W / 35W /45W
<b>Luminous Flux</b>	780 / 3550 / 4350lm
<b>Input Voltage</b>	100V ~ 240V AC
<b>Power Factor</b>	>0.9
<b>Chipset</b>	COB
<b>CRI</b>	>80
<b>Beam angle</b>	15° / 24° / 60°
<b>IP Rating</b>	IP 20
<b>Dimmable</b>	Triac/0-10V/Dali (option)



## Dimensions & Materials

<b>Product Dimensions (mm)</b>	Ø96 * 68 Ø180 * 128.5
<b>Cutout (mm)</b>	Ø85 ~ 90 Ø165 ~ 170
<b>Housing Material</b>	Die-casting Aluminum Alloy + Clear Diffuser
<b>Housing Colour</b>	White

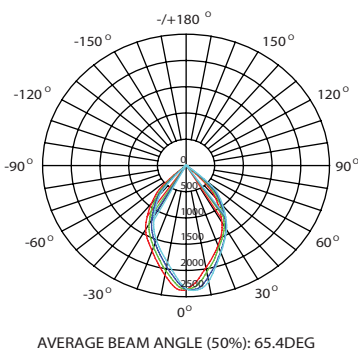




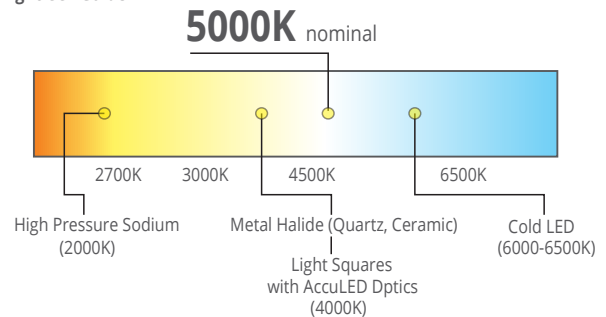
**greenlux**  
cost reduction LED lighting

# Meika Series 01 LED Scoop Downlight

Available in Multiple Wattage  
80% lumen maintenance at 50,000 hours



Light CCT Guide



Model#	Dimensions (mm)	Cutout (mm)	Beam Angle	CCT	Lumens	Wattage	LED	Dimmer (option)
GUMEI-10W-01	Ø96*68	Ø85-90	15°/24°/60°	3000-5700k	780	10W	COB	Triac
GUMEI-35W-01	Ø180*128.5	Ø165-170	15°/24°/60°	3000-5700k	3550	35W	COB	Triac
GUMEI-45W-01	Ø180*128.5	Ø165-170	15°/24°/60°	3000-5700k	4350	45W	COB	Triac