



**greenlux**  
cost reduction LED lighting

# Meika Series 02 LED Scoop Downlight

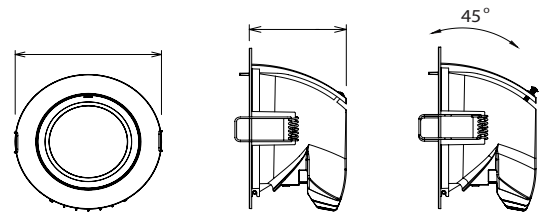
Available in Multiple Wattage  
80% lumen maintenance at 50,000 hours

- Anti-glare design, UGR<19
- 45° vertical rotatable
- No UV or IR rays. No mercury
- Excellent heat dissipation to ensure long life span of LED
- High efficiency COB chipset with high luminous flux
- High quality Die-casting Aluminum Alloy Housing with Clear Diffuser
- Triac / 0-10V / Dali Dimmer System options
- IP20 Rated
- 3 Years Warranty
- Applications include offices, shops, restaurants, hotels, schools & households



## Specifications

<b>Colour Range</b>	3000k ~ 5700k
<b>Power Consumption</b>	13W / 18W / 25W / 35W
<b>Luminous Flux</b>	945 ~ 2715lm
<b>Input Voltage</b>	100V ~ 240V AC
<b>Power Factor</b>	>0.9
<b>Chipset</b>	COB
<b>CRI</b>	>80
<b>Beam angle</b>	24° / 45° / 60°
<b>IP Rating</b>	IP 20
<b>Dimmable</b>	Triac/0-10V/Dali (option)



## Dimensions & Materials

<b>Product Dimensions (mm)</b>	Ø96 * 67 Ø180 * 100
<b>Cutout (mm)</b>	Ø85 ~ 90 Ø165 ~ 170
<b>Housing Material</b>	Die-casting Aluminum Alloy + Clear Diffuser
<b>Housing Colour</b>	White/Sliver/Satin Nickel





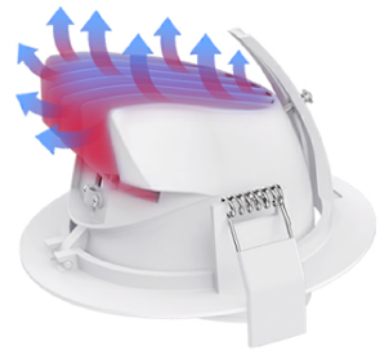
**greenlux**  
cost reduction LED lighting

# Meika Series 02 LED Scoop Downlight

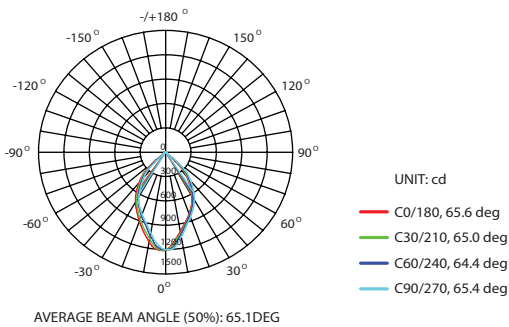
Available in Multiple Wattage  
80% lumen maintenance at 50,000 hours



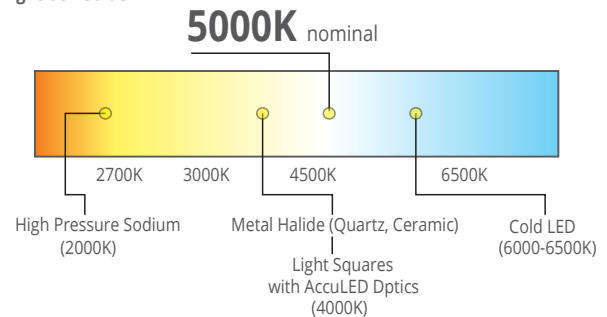
COB Chipset & Diamond Reflector



Excellent Heat Sink Design



Light CCT Guide



Model#	Dimensions (mm)	Cutout (mm)	Beam Angle	CCT	Lumens	Wattage	LED	Dimmer (option)
GUMEI-13W-02	Ø96*67	Ø85-90	24°/45°/60°	3000-5700k	855	13W	COB	Triac
GUMEI-18W-02	Ø180*100	Ø165-170	24°/45°/60°	3000-5700k	1425	18W	COB	Triac
GUMEI-25W-02	Ø180*100	Ø165-170	24°/45°/60°	3000-5700k	1900	25W	COB	Triac
GUMEI-35W-02	Ø180*100	Ø165-170	24°/45°/60°	3000-5700k	2700	35W	COB	Triac