



greenlux
cost reduction LED lighting

Shimmer Series LED Downlight

Available in Multiple Wattage
80% lumen maintenance at 50,000 hours

- Low UGR <19
- No UV or IR rays. No mercury
- Dimmable and Non-Dimmable option available
- Superb dimming effect
- V shape cooling heat sink design
- COB LED chips with high luminous flux
- Aluminum profile provides excellent thermal dissipation
- IP20 Rated
- 5 Years Warranty
- Applications include restaurants, offices, shops, schools, hotels & households. Also widely used for public areas such as stairways, lobby, receptions & corridors.



Specifications

Colour Range	2700-5000k
Power Consumption	13W / 25W / 35W
Lumen	90lm/W
Input Voltage	AC 100-240V
Dimming Range	8% ~ 100%
Beam angle	36° & 45°
CRI	80 & 90 (options)
Power Factor	>0.9
Chipset	COB
Driver	Class II
Dimmable	Triac, 0-10V or Dali (option)

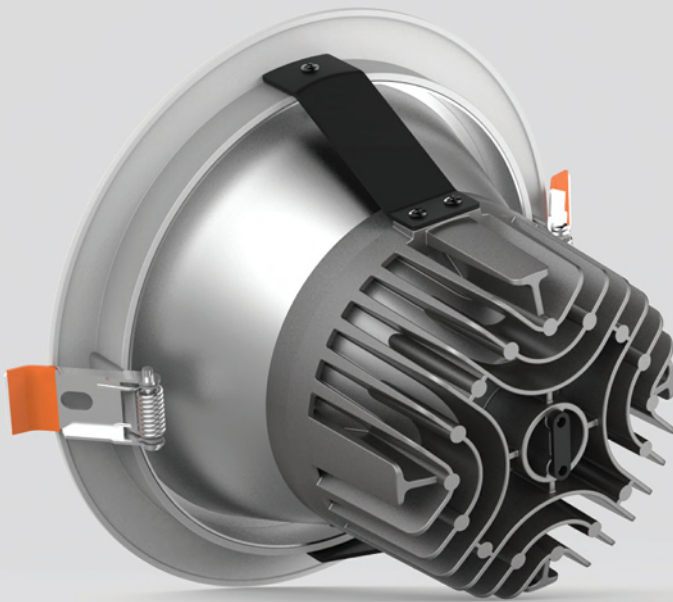
Dimensions & Materials

	Cutout		
Product Dimensions (mm)	3"	Ø110*100	Ø95-100
	6"	Ø190*127	Ø165-180
	8"	Ø230*140	Ø205-220
Housing Material	Aluminum Housing		



90LM/W

Meanwhile the light efficiency reach to 90lm/w with perfect accent lighting performance. That makes it become the priority selected product for commercial lighting.

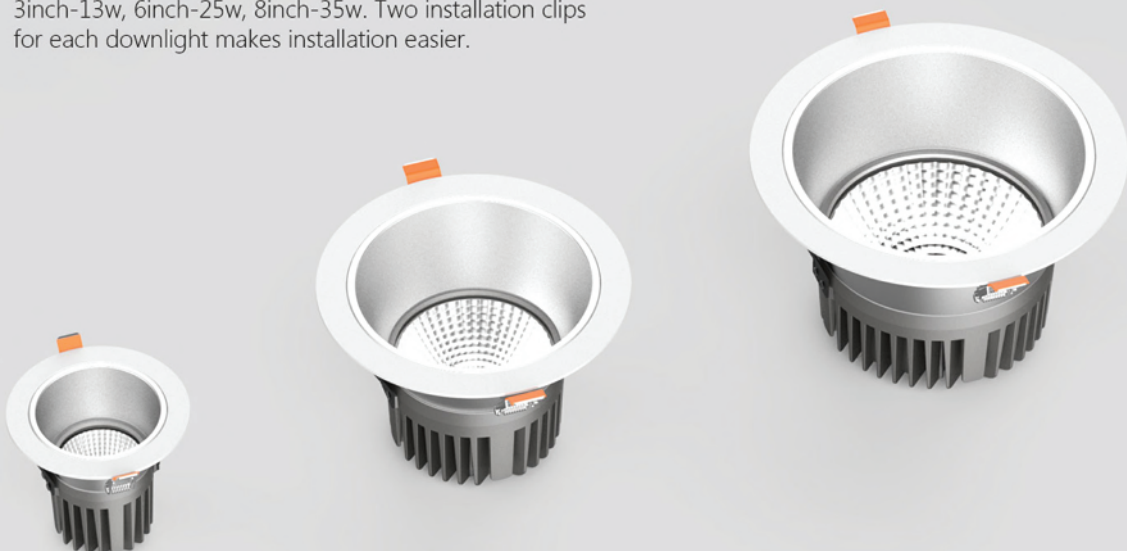


V-SHAPE

cooling fins heat sink design increases the interface between heat sink and air, which makes the heat dissipating performance outstanding and extend the service life of the downlight.

3 SIZES ARE OPTIONAL

3inch-13w, 6inch-25w, 8inch-35w. Two installation clips for each downlight makes installation easier.





NEW DESIGN

anti-glare CR190 led downlight adopts Citizen COB chip collocating with deep reflection cup. This unique design skillfully prevent the human eyes contact with the light sources directly, makes the light more soft, **UGR <19**.





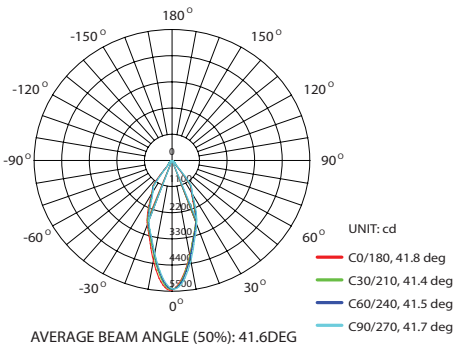
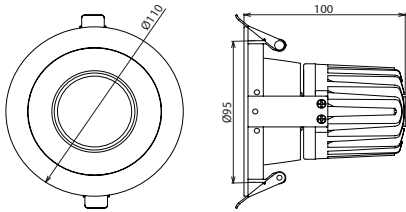
greenlux
cost reduction LED lighting

Shimmer Series LED Downlight

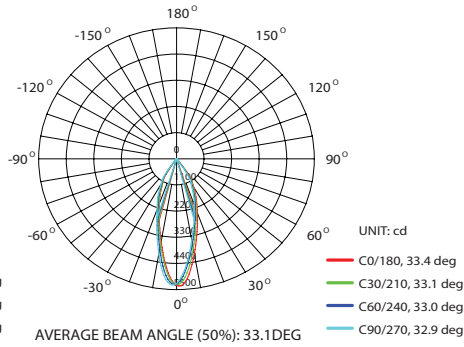
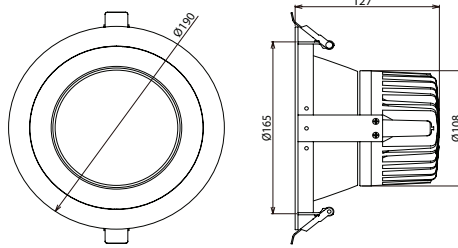
Available in Multiple Wattage
80% lumen maintenance at 50,000 hours

Dimensions & Photometrics

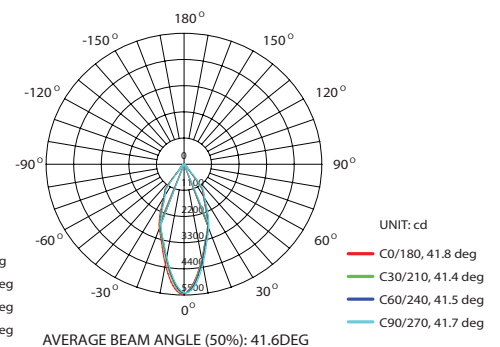
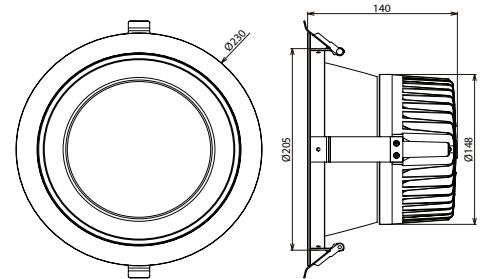
3" 13W



6" 25W



8" 35W



Model	CCT	Lumen (lm)	Power (W)	LED	Dimming (option)	Dimensions (mm)
GUSHI-13W-3-CW	5000	1000				
GUSHI-13W-3-NW	4000	975	13	COB		Ø110*100mm
GUSHI-13W-3-WW	3000	950				
GUSHI-25W-6-CW	5000	2550				
GUSHI-25W-6-NW	4000	2380	25	COB	Traic 0-10V Dali	Ø190*127mm
GUSHI-25W-6-WW	3000	2250				
GUSHI-35W-8-CW	5000	3350				
GUSHI-35W-8-NW	4000	3150	35	COB		Ø230*140mm
GUSHI-35W-8-WW	3000	2900				