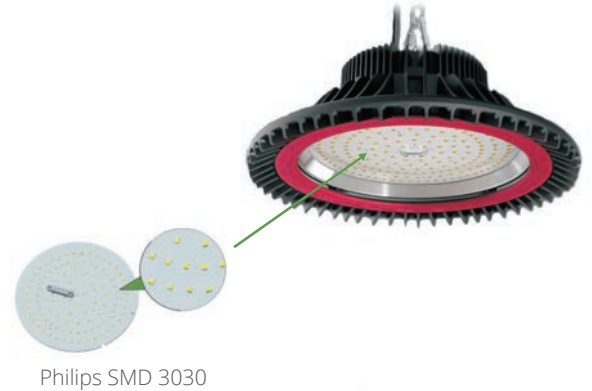
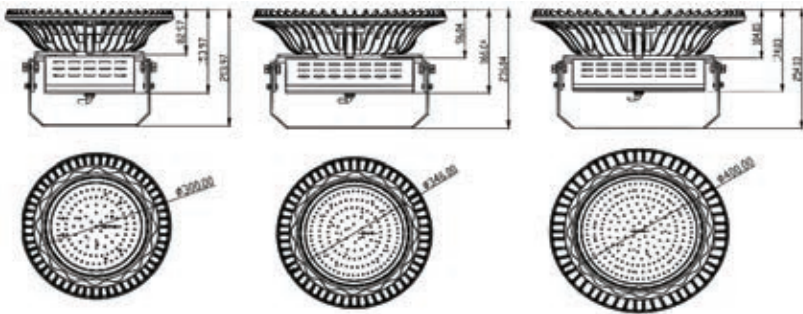




greenlux
cost reduction LED lighting

UFO Series LED High Bay Light

Available in multiple wattage
80% lumen maintenance at 50,000 hours



Philips SMD 3030



Bridgelux COB

- Instant power reduction!
- 0% Mercury, 100% Environmentally friendly
- Excellent thermal management
- Philips SMD 3030 or Bridgelux COB LED
- Meanwell Driver or SAA Driver
- Beam angle 60, 90 and 120 degree
- 3D Heatsink Design
- Low maintenance
- 5 Year Warranty
- Applications ideal for factories, gyms, Airports, petrol stations, overpasses and warehouses

Specifications

Colour Range	3000-6500k	
Luminous Flux	80W	8800lm
	100W	11000lm
	150W	16500lm
	200W	22000lm
	240W	26400lm
Input Voltage	100-277V AC	
Power Consumption	80/100/150/200/240W	
Power Factor	0.98	
CRI	Ra 70	
Operating Temp.	-20°C to 50°C	
Installation	Hanging/Surface Mounted	
Beam angle *10%	60°/90°/120°	

Dimensions & Materials

Dimension (Not include Reflector)	80-100W	300*214mm
	150-200W	346*236mm
	200-240W	400*254mm
Weight	3.6kg/5kg/7.2kg	
Materials	Cold-forged Pure Aluminium heat sink	

Certification and Safety

Certifications	CE, RoHS, SAA, RCM, DLC UL, TUV, IES, LM-80, LM-79
Environment	Outdoor & Indoor Location
Warranty	5 years





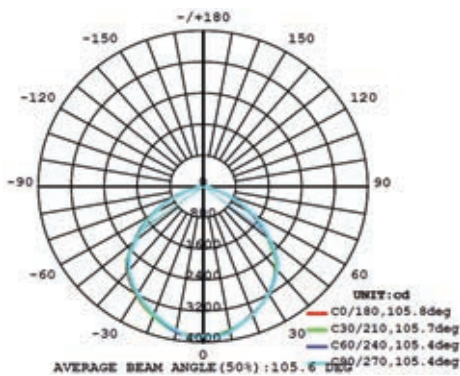
greenlux
cost reduction LED lighting

UFO Series LED High Bay Light

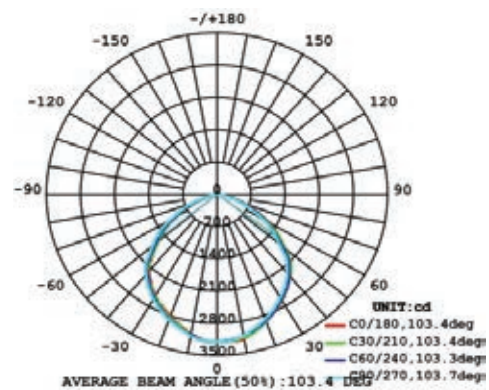
Available in multiple wattage
80% lumen maintenance at 50,000 hours

Photometrics

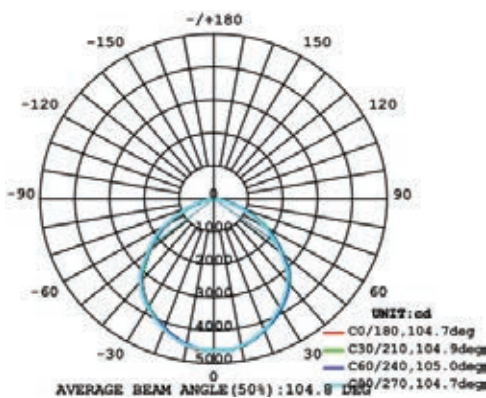
GBUFO-80W



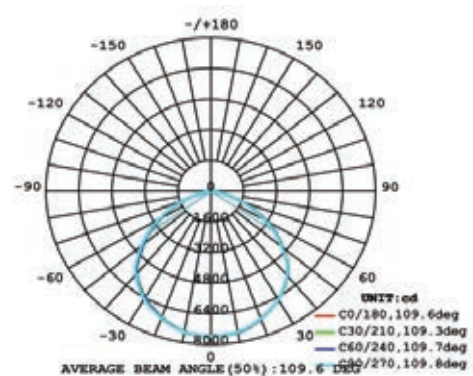
GBUFO-100W



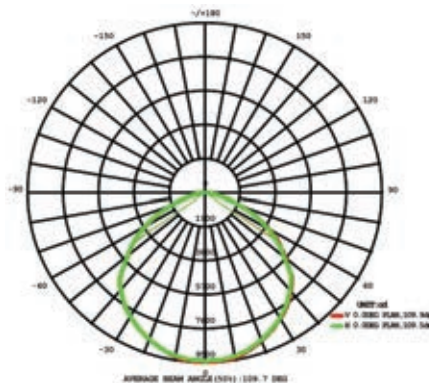
GBUFO-150W



GBUFO-200W



GBUFO-240W





greenlux
cost reduction LED lighting

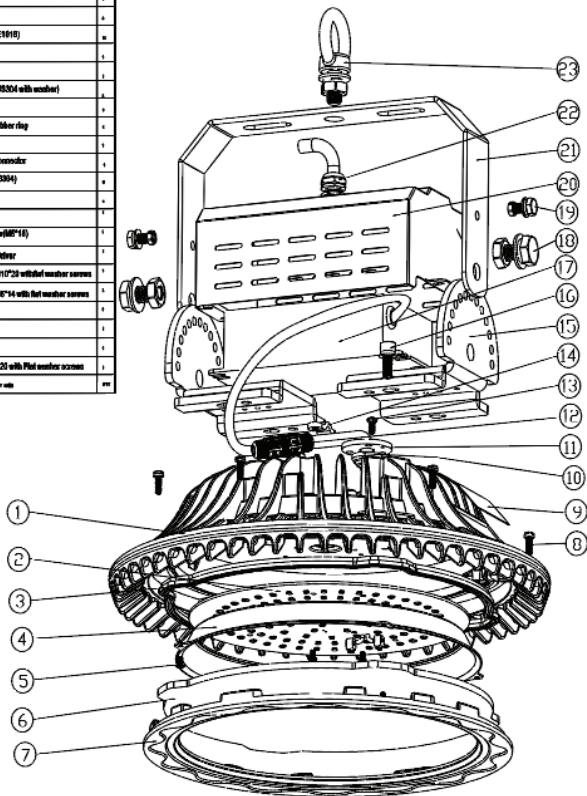
UFO Series LED High Bay Light

Available in multiple wattage
80% lumen maintenance at 50,000 hours

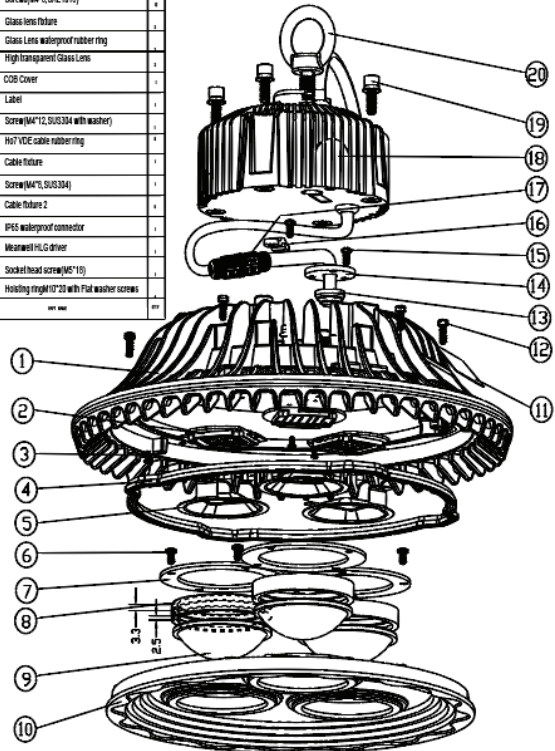
Diagram



1	Heat sink housing	*
2	OMD PCB	*
3	Waterproof rubber	*
4	OMD reflector	*
5	Screws(M4*6, SAE1019)	*
6	Acrylic plate	*
7	OMD cover	*
8	Screws(M4*12, SUS304 with washer)	*
9	Label	*
10	H07 VDE cable rubber ring	*
11	Cable fixture 2	*
12	IP65 waterproof connector	*
13	Screws(M4*6, SUS304)	*
14	Cable fixture	*
15	Driver PCB mount	*
16	Socket head screw(M5*10)	*
17	MicroWORGE Driver	*
18	Hex head screw(M10*20 with flat washer screw)	*
19	Hex head screw(M8*14 with flat washer screw)	*
20	Driver Housing	*
21	Bracket	*
22	POT Screw kit	*
23	Holding ring(M10*20 with flat washer screw)	*



1	Heat sink housing	*
2	AINW COB Bridgelux leds	*
3	Screws(M3*5, SAE1019)	*
4	Cover waterproof ring	*
5	COB reflector	*
6	Screws(M4*5, SAE1019)	*
7	Glass lens fixture	*
8	Glass Lens waterproof rubber ring	*
9	High transparent Glass Lens	*
10	COB Cover	*
11	Label	*
12	Screw(M4*12, SUS304 with washer)	*
13	H07 VDE cable rubber ring	*
14	Cable fixture	*
15	Screw(M4*6, SUS304)	*
16	Cable fixture 2	*
17	IP65 waterproof connector	*
18	Wearwell P.L.G driver	*
19	Socket head screw(M5*10)	*
20	Holding ring(M10*20 with flat washer screw)	*





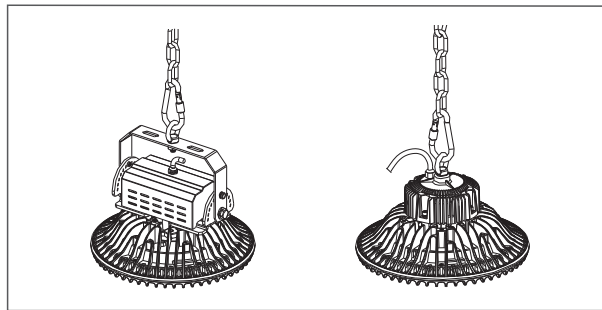
greenlux
cost reduction LED lighting

UFO Series LED High Bay Light

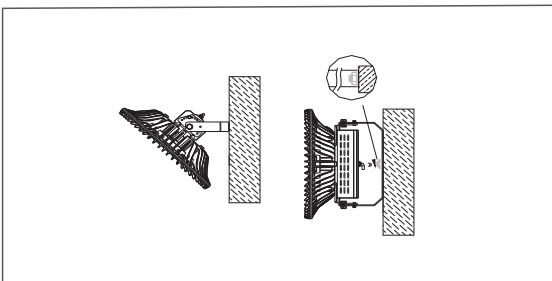
Available in multiple wattage
80% lumen maintenance at 50,000 hours

Installation

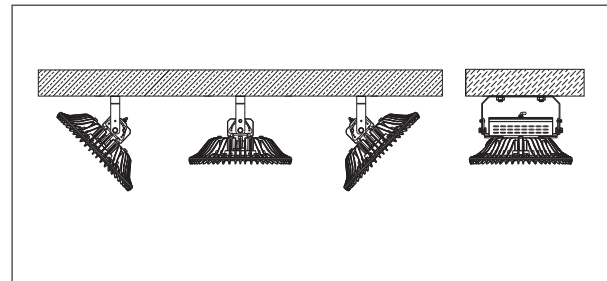
Hanging Installation



Wall Installation



Ceiling Installation



Bracket

Available for more installation methods



Reflector
(90°)

Radar Sensor



Lens





greenlux
cost reduction LED lighting

UFO Series LED High Bay Light

Available in multiple wattage
80% lumen maintenance at 50,000 hours

Model

MODEL	DIM	Wattage (W)	Voltage (V)	Life-time (hrs)	CCT (k)	Lumen	Beam Angle (°)	Size (mm) (LxWxD)	Surface Colour
GBUFO-80W-HB	No/Yes	80W	100/277	50,000	3000-6500	8800	60/90/120	300x214	Black + White Black + Red
GBUFO-100W-HB	No/Yes	100W	100/277	50,000	3000-6500	11000	60/90/120	300x214	Black + White Black + Red
GBUFO-150W-HB	No/Yes	150W	100/277	50,000	3000-6500	16500	60/90/120	346x236	Black + White Black + Red
GBUFO-200W-HB	No/Yes	200W	100/277	50,000	3000-6500	22000	60/90/120	400x254	Black + White Black + Red
GBUFO-240W-HB	No/Yes	240W	100/277	50,000	3000-6500	26400	60/90/120	400x254	Black + White Black + Red

