



greenlux
cost reduction LED lighting

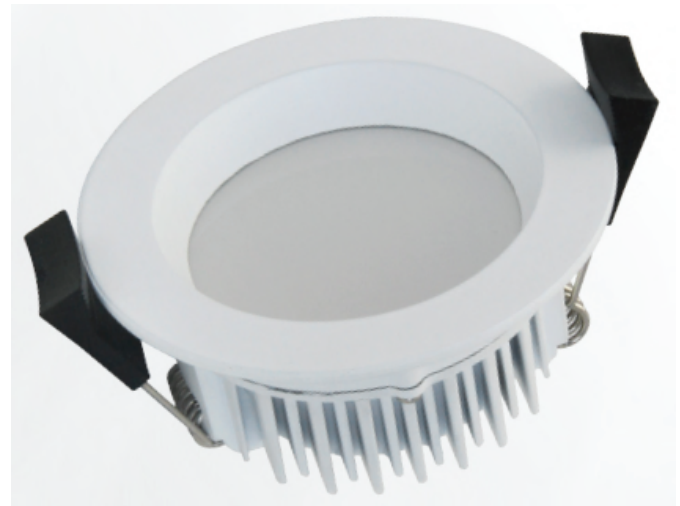
Vegas Series LED Downlight

Available in Multiple Wattage
80% lumen maintenance at 50,000 hours

- No UV or IR rays. No mercury
- Triac dimmable system
- Superb dimming effect
- SMD LED chips with high luminous flux
- PMMA diffuser to ensure even light output
- Compact, high efficiency line driver included
- Super slim design
- IP20 Rated, IP44 option
- 3 Years Warranty
- Applications include ceilings, walkways, restaurants, hotels, museums & display cases

Specifications

Colour Range	3000-6000k
Lumen	85lm/W
Power Consumption	7W / 10W
Input Voltage	AC 100-240V 200-240V
Current	250mA
Operating Temp.	-10°C to 45°C
Dimming Range	10% ~ 100%
Beam angle	90°
Ra	>80
Power Factor	>0.9
Chipset	2835 SMD
Driver	Class II
IP Rating	IP20 or IP44 (option)
Dimmable	Triac (standard)



Dimensions & Materials

Product Dimensions (mm)	2"	Ø80*39
	2.5"	Ø85*39.5
Cutout Dimensions (mm)	2"	Ø60-70
	2.5"	Ø70-75
Housing Material	PMMA diffuser	
Housing Colour	White/Silver/Black/Nickel	

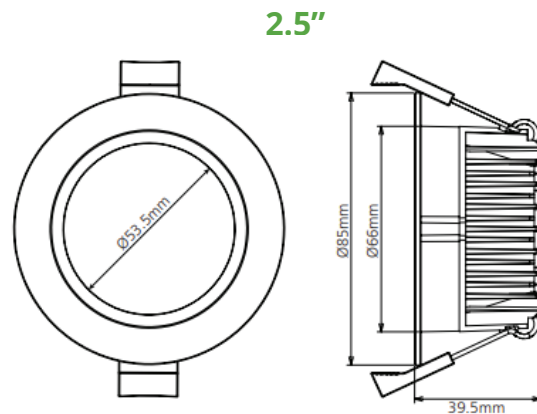
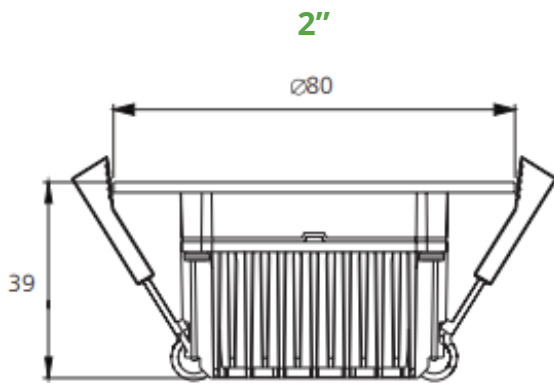
Certification and Safety

Certifications	CE, RoHS, SAA, RCM
Environment	Indoor Location
Warranty	3 years

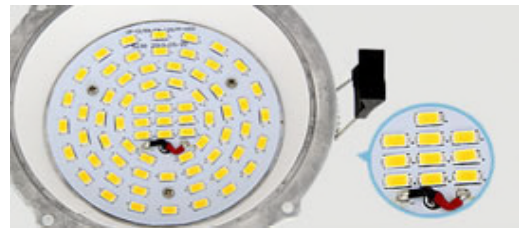


Vegas Series LED Downlight

Dimensions & Features



Varies Style option



2835 SMD LED 85Lm/W



IP44 Waterproof (option)
With rubber rings to keep moisture out



Dimmable LED Driver
10% ~ 100% Dimming Range
No flicker or buzz
Triac dimmer/0-10V/Dali

Model#	CCT	LED Type	Lumen(lm)	Dimension (mm)	Cutout Size (mm)	Dimmable	Voltage(V)
GUEG-7W-2	3000K	2835 SMD	595	80*39	90-100	Triac	AC100-240V
GUEG-10W-2.5	4000K		850	85*39.5	90-100	Triac	
	5000K						