



**greenlux**  
cost reduction LED lighting

# Vegas Square LED Downlight

Available in Multiple Wattage  
80% lumen maintenance at 50,000 hours

- No UV or IR rays. No mercury
- Triac dimmable system
- Superb dimming effect
- SMD LED chips with high luminous flux
- PMMA diffuser to ensure even light output
- Compact, high efficiency line driver included
- Super slim design
- IP20 Rated, IP44 option
- 3 Years Warranty
- Applications include ceilings, walkways, restaurants, hotels, museums & display cases



## Specifications

<b>Colour Range</b>	3000-6000k
<b>Lumen</b>	85lm/W
<b>Power Consumption</b>	10W/13W
<b>Input Voltage</b>	AC 100-240V 200-240V
<b>Current</b>	250mA
<b>Operating Temp.</b>	-10°C to 45°C
<b>Dimming Range</b>	10% ~ 100%
<b>Beam angle</b>	90°
<b>Ra</b>	>80
<b>Power Factor</b>	>0.9
<b>Chipset</b>	2835 SMD
<b>Driver</b>	Class II
<b>IP Rating</b>	IP20 or IP44 (option)
<b>Dimmable</b>	Triac (standard)

## Dimensions & Materials

<b>Product Dimensions (mm)</b>	3"	110*110*38
<b>Cutout Dimensions (mm)</b>	3"	90*90
<b>Housing Material</b>	PMMA diffuser	
<b>Housing Colour</b>	White/Silver/Black/Nickel	

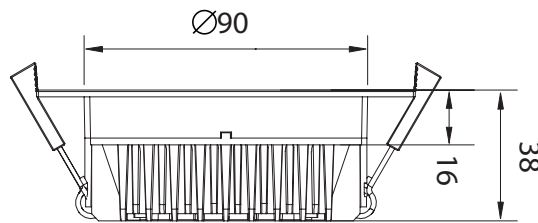
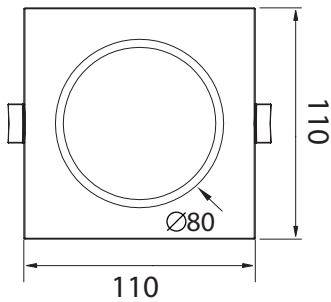
## Certification and Safety

<b>Certifications</b>	CE, RoHS, SAA, RCM
<b>Environment</b>	Indoor Location
<b>Warranty</b>	3 years



# Vegas Square LED Downlight

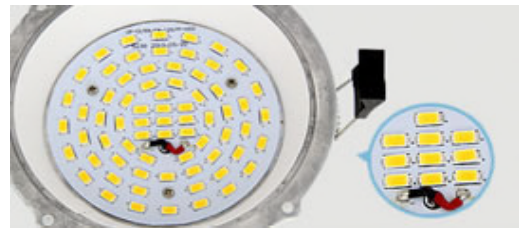
## Dimensions & Features



Dimension: 110\*110\*38mm (L\*W\*H)  
Cutout: 90\*90mm



Varies Style option



2835 SMD LED 85lm/W



IP44 Waterproof (option)  
With rubber rings to keep moisture out



Dimmable LED Driver  
10% ~ 100% Dimming Range  
No flicker or buzz  
Triac dimmer/0-10V/Dali

Model#	CCT	LED Type	Lumen(lm)	Dimension (mm)	Cutout Size (mm)	Dimmable	Voltage(V)
GUEG-10W-3-S	3000K	2835 SMD	850	110*110*38	90*90	Triac	AC100-240V
GUEG-13W-3-S	4000K		1105	110*110*38	90*90	Triac	
	5000K						