

Bravo 03 Series LED Wall Pack Light



Better solutions for a Led Wall Pack Light



IP65 water-proof



AC 100-277V 50/60Hz



Easy Installation



125Lm/w



Options

Power

MEAN WELL DRIVER
Standard
Dimmable 1-10V
Dimmable DALI

Color

3000K
4000K
5700K

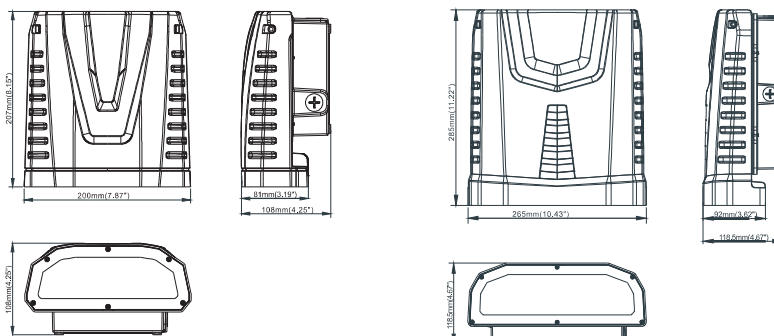
Application

LED Wall Pack Light series can be widely used as Exterior or interior LED lighting for Hotels, Garages, Commercial Buildings, Public areas, Schools and Hospitals, etc.

Specifications

Item	Power	Lumen	Leds	CRI	Weight	Beam Angle
GBBRA-30W-03	30W	3300Lm	LUMILEDS 3030	>80	2.13KG	120°
GBBRA-50W-03	50W	5500Lm	LUMILEDS 3030	>80	2.13KG	120°
GBBRA-70W-03	70W	8750Lm	LUMILEDS 3030	>80	4.36KG	120°
GBBRA-80W-03	80W	10000Lm	LUMILEDS 3030	>80	4.36KG	120°
GBBRA-100W-03	100W	12500Lm	LUMILEDS 3030	>80	4.36KG	120°

Dimensions(mm)



30W/50W

70W/80W/100W

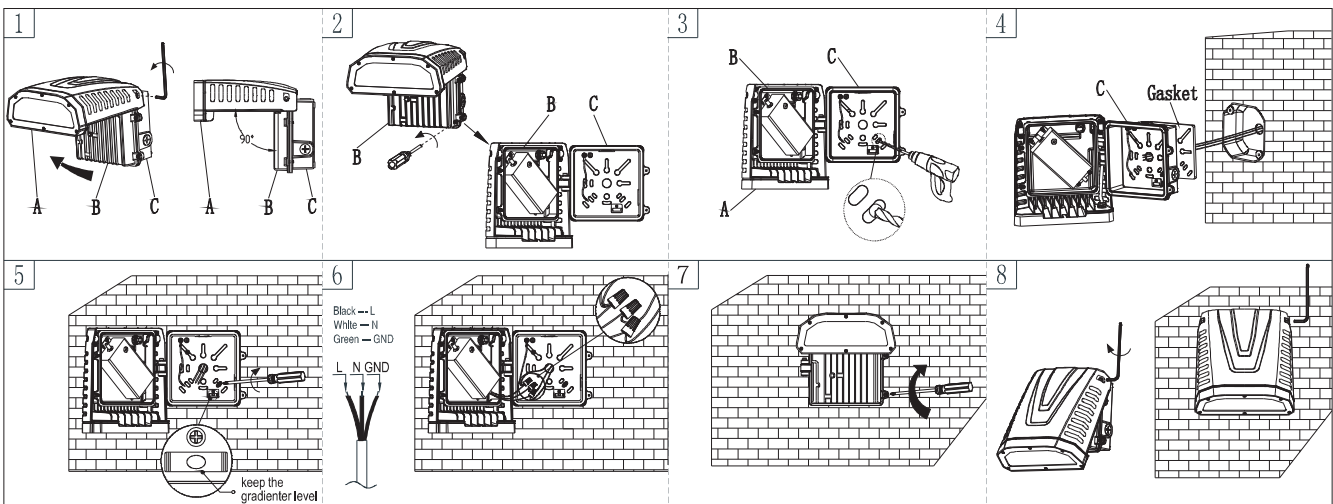


Bravo 03 Series LED Wall Pack Light



Installation

P1-Mounting with J-box



P2-Mounting with a 1/2" conduit at the bottom

