



**greenlux**  
cost reduction LED lighting

# Dia Series Recessed LED Downlight

Available in Multiple Wattage  
80% lumen maintenance at 50,000 hours

- Low UGR <19
- No UV or IR rays. No mercury
- Triac / Dali / 0-10V Dimmer option available
- Superb dimming effect
- SMD LED chips with high luminous flux
- Aluminum profile provides excellent thermal dissipation
- IP20 Rated
- 3 Years Warranty
- Applications include restaurants, offices, shops, schools, hotels & households. Also widely used for public areas such as stairways, lobby, receptions & corridors.



## Specifications

<b>Colour Range</b>	2700-5000k
<b>Power Consumption</b>	13W / 25W / 35W
<b>Lumen</b>	85lm/W
<b>Input Voltage</b>	AC 100-240V
<b>Dimming Range</b>	8% ~ 100%
<b>Beam angle</b>	60°
<b>Ra</b>	>80
<b>Power Factor</b>	>0.9
<b>Chipset</b>	SMD
<b>Driver</b>	Class II
<b>Dimmable</b>	Triac, 0-10V or Dali (option)

## Dimensions & Materials

		<b>Cutout</b>
<b>Product Dimensions (mm)</b>	13W	Ø110*80 Ø90-100
	25W	Ø190*100 Ø160-180
	35W	Ø230*110 Ø200-220
<b>Housing Material</b>	Aluminum Housing	
<b>Housing Color</b>	White / Black	





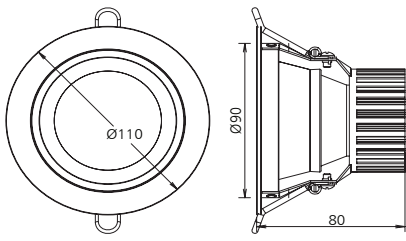
**greenlux**  
cost reduction LED lighting

# Dia Series Recessed LED Downlight

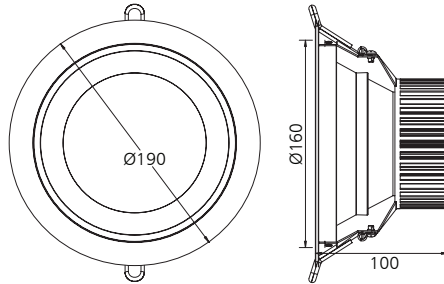
Available in Multiple Wattage  
80% lumen maintenance at 50,000 hours

## Dimensions & Photometrics

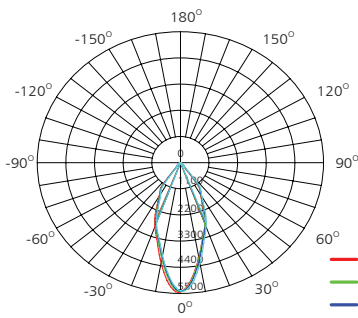
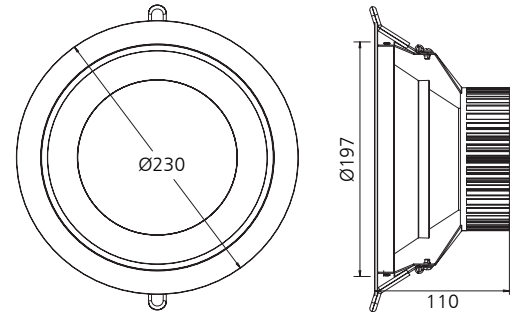
3" 13W



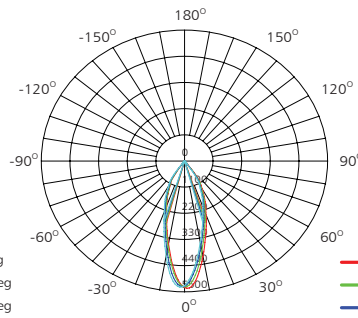
6" 25W



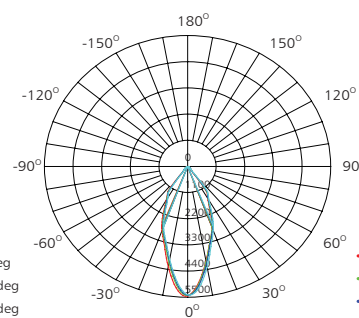
8" 35W



AVERAGE BEAM ANGLE (50%): 41.6DEG



AVERAGE BEAM ANGLE (50%): 33.1DEG



AVERAGE BEAM ANGLE (50%): 41.6DEG

Model#	Dimensions (mm)	Cutout (mm)	Beam Angle	CCT (k)	Lumens	Wattage	LED	Dimmer (option)
GUDIA-13W	Ø110*80	Ø90-100	60°		1105	13W	SMD	
GUDIA-25W	Ø190*100	Ø160-180	60°	3000 4000 5000	2125	25W	SMD	Triac Dali 0-10V
GUDIA-35W	Ø230*110	Ø200-220	60°		2975	35W	SMD	