

Giza 1234



Recessed LED Stair Light & Wall Light

LED Colour Temperature

- 2000K
- 3000K
- 6000K

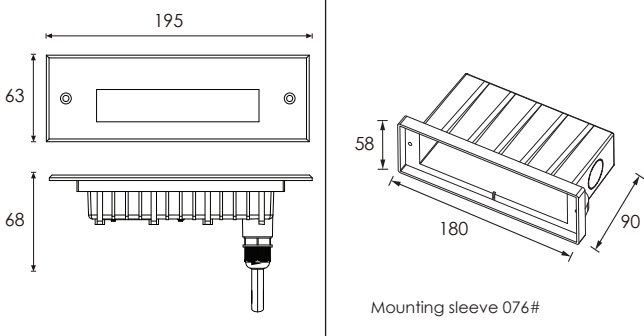
Optics

- N/A



Outer Dimensions

Unit:mm



Material specifications

Housing	12# Die-casting grey powder coated aluminum T=60-80um Adhesion of ISO class 1/ASTM class 4B
Front cover	12# Die-casting aluminum
Light Window	PC T=4mm
Cable gland	IP68 PG-9 PA66
Gasket	Molding shaped silicone seal
LED Driver	Constant Voltage Input, Constant Current Output
Operating temperature	-20°C~40°C
Power Cable	H05RN-F 2X1.0mm ² L=0.5m (low voltage) H05RN-F 3X1.0mm ² L=0.5m (high voltage)
Mounting sleeve	ABS 076#
Dimmable Support	Triac PWM 1-10V Dalı

Front Cover Color Option

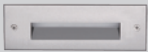
—Basic

Sanded Dark Grey
KAP 7037

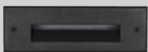


—Secondary

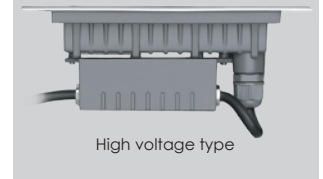
Silver Resistant Paint
RAL 9006



Sanded Black
RAL9005

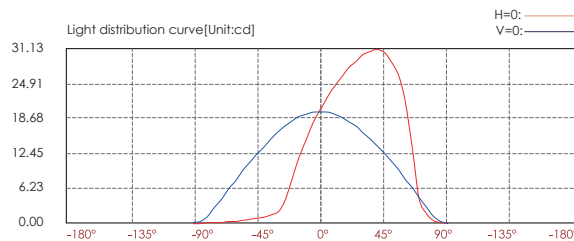
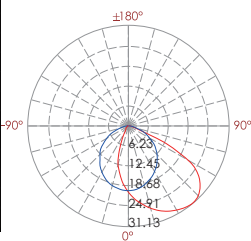


Mounting sleeve characteristic



The above picture – the supporting plate "A" is used for preventing deformation of the sleeve during the construction installation process. Please remove the supporting plate "A" from the mounting sleeve before the lamp installation.

Item	Light Source	Lens	The manufacturer selected lens degree(°)θ1/2	Input voltage(V)	Typical operating current(mA)	Typical consumption(W)	Typical luminance(lm)	IK Rate
GKD1FL1234	12X0.2	N/A	120°	24V DC 120/240	24V = 52 120V = 29 240V = 19	24V = 1.24 120V = 1.70 240V = 1.90	Cool white = 58.0 Warm white = 55.5	10



Lux distance cure

Illuminance at a distance			
Center beam LUX	Beam width Y	Beam width H	
2m 4.99 LUX	3.00m	4.70m	
4m 1.25 LUX	5.90m	9.50m	
6m 0.55 LUX	8.90m	14.2m	
8m 0.31 LUX	11.8m	19.0m	
10m 0.20 LUX	14.8m	23.7m	
12m 0.14 LUX	17.7m	28.3m	

Ver.Spread:72.9 Horiz.Spread:99.8