



Surface Mounting and Recessed Power LED Wall Light



LED Colour Temperature

- 2000K
- 3000K
- 6000K

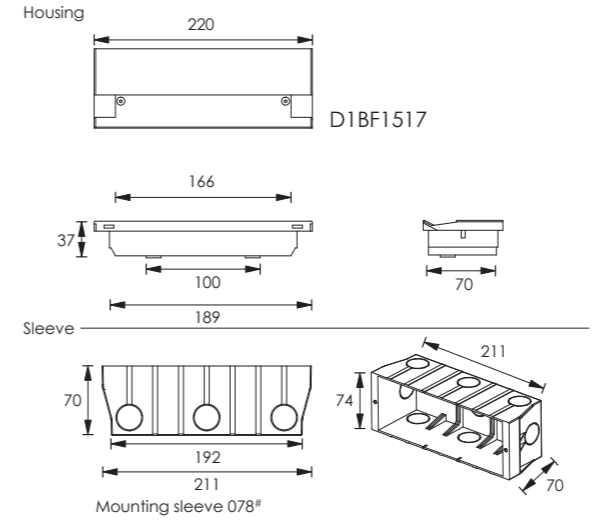
Optics

- N/A

Front Cover Color Option

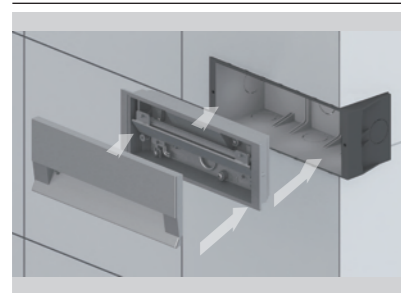
Silver Resistant Paint RAL 9006	Sanded Dark Grey KAP 7037

Outer Dimensions

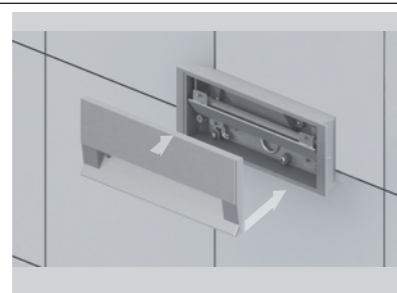


Material specifications

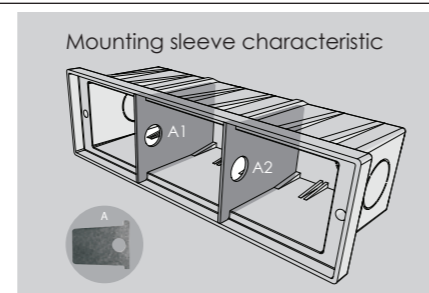
Housing	12# Die-casting grey powder coated aluminum.
Front cover	T=60µm Adhesion of ISO class 1/ASTM class 4B
Light Window	12# Die-casting aluminum
Gasket	Molding shaped silicone seal
LED Driver	Constant Voltage Input, Constant Current Output
Operating temperature	-20°C~40°C
Power Cable	H05RN-F 2X1.0mm ² L=0.5m (low voltage) H05RN-F 3X1.0mm ² L=0.5m (high voltage)
Mounting sleeve	ABS 078#
Dimmable Support	Triac PWM 1-10V Dali



Recessed Installation



Surfaced installation



The above picture-"A" is the supporting plate, used for "mounting sleeve" during the construction installation process to prevent deformation of the sleeve.
The loading way such as A1, A2
Please take out the supporting plate (A1 & A2) from the "mounting box" before installation.

Item	Light source	Input voltage(V)	Typical operating current(mA)	Typical consumption(W)	Typical luminance(lm)
GKD1BF1517	15×SMD3030	24V DC 120/240	24V = 125 120V = 60 240V = 34	24V = 3.0 120V = 3.7 240V = 3.7	Cool white =73 Warm white =65

