



GKD1FG1834

GKD1FH1834

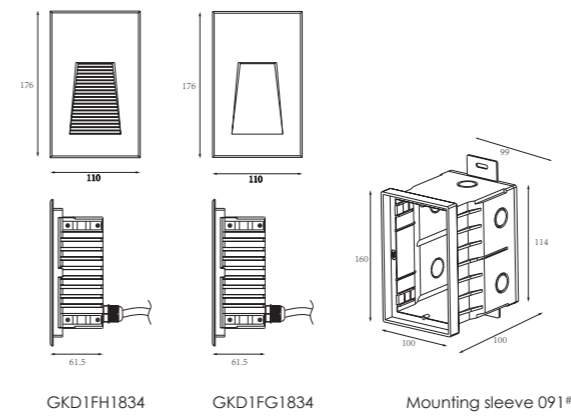
LED Colour Temperature

- 2000K
- 3000K
- 6000K

Optics

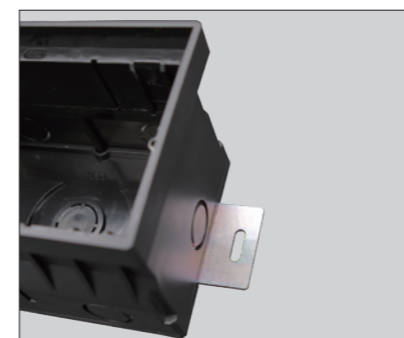
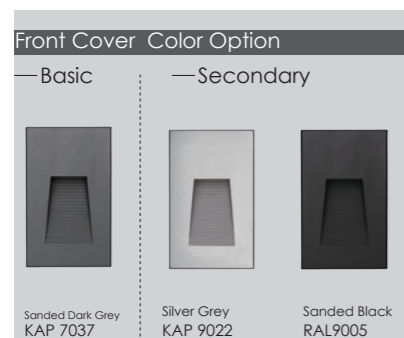
- N/A

Outer Dimensions



Material specifications

Housing	12# Die-casting grey powder coated aluminum. T=60-80um Adhesion of ISO class 1/ASTM class 4B
Front cover	12# Die-casting aluminum RAL7037 powder coated T=20-30um. Adhesion of ISO class 1/ASTM class 4B
LED	SMD3030 type LED
Cable gland	IP67 copper and nicked coated
Gasket	Molding shaped silicone seal
LED Driver	Constant Voltage Input, Constant Current Output
Operating temperature	-20°C~40°C
Power Cable	H05RN-F 2X1.0mm ² L=0.5m (low voltage) H05RN-F 3X1.0mm ² L=0.5m (high voltage)
Mounting sleeve	ABS 091*
Dimmable Support	Triac PWM 1-10V Dali



The clips have been specially modified and upgraded to have a stronger structure in order to make up the absence of the screw fixing.

There are two metal support plates on the bottom of the sleeve. It is used for fixing and preventing the mounting sleeve shifting while filling the concrete. These will simply installer and electrician while they are recessing the sleeves.

Item	Light source	Input voltage(V)	Typical operating current(mA)	Typical consumption(W)	Typical luminance(lm)	IK rate
GKD1FG1834	18x0.2W	24V DC 120/240	24V = 240	24V = 5.5	Cool white =58.0 Warm white =45.6	10
			120V = 103	120V = 7.0		
			240V = 57	240V = 7.0		
GKD1FH1834	18x0.2W	24V DC 120/240	24V = 230	24V = 5.5	Cool white =54.8 Warm white =43	10
			120V = 103	120V = 7.0		
			240V = 57	240V = 7.0		

