

# Hawk Series LED Street Light IP65



## Specifications

<b>Power</b>	20W/30W/40W/50W/60W
<b>Colour Range</b>	3000-6500k
<b>Lumen Efficiency</b>	105 / 125 / 135lm/W
<b>Effective Illuminated Area</b>	H6/26*8m H8/37*10m H10/45*12m H12/53*15m
<b>Input Voltage</b>	120-277V 47-63Hz
<b>Dimmable</b>	0-10V (option)
<b>Sensor</b>	Photocell/Motion/Light Control(option)
<b>Power Factor</b>	>0.95
<b>Beam angle</b>	120°
<b>CRI</b>	>70 / 80
<b>IP Rating</b>	IP65
<b>Driver</b>	Mean Well & Inventronics
<b>LED Chipset</b>	Philips, Lumileds & Cree
<b>Material</b>	Die-casting Aluminium + PC & Stainless Steel Fitting
<b>Heat Sink</b>	Pure Aluminium Heat Sink
<b>Housing Colour</b>	Grey / Black
<b>Lens</b>	UV Protection PC Lens
<b>Environment Temp.</b>	-40°C ~ +50°C
<b>Humidity</b>	20 ~ 95%RH



## Dimensions(mm) & Weight(kg)

<b>Product Dimensions</b>	20W~60W	560*190*86
<b>Weight</b>	20W~60W	3.5kg



# Hawk Series LED Street Light IP65

- High quality Cree / Philips / Osram high power LED chipsets, to ensure stable color and brightness
- High quality Mean Well & Inventronics high power driver, to improve the stability of the fixture
- Second optic light distribution design, to improve the efficiency of the fixture, Distance:Height = 5:1
- Low heat generation, high performance, Integrated designed heat sink
- Ingenious structure design and modular lamp design
- Reserve connector for light control, timing control and remote control
- Motion Sensor & Photocell Sensor Available
- This Fixture could be suitable for Solar System
- Applications include carparks, streets, petrol stations, tennis court and stadiums



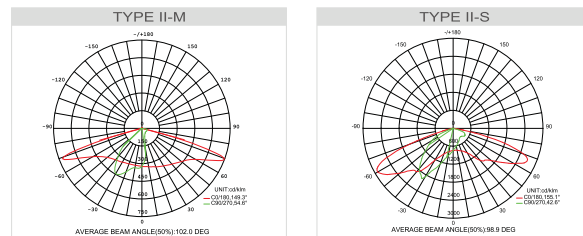
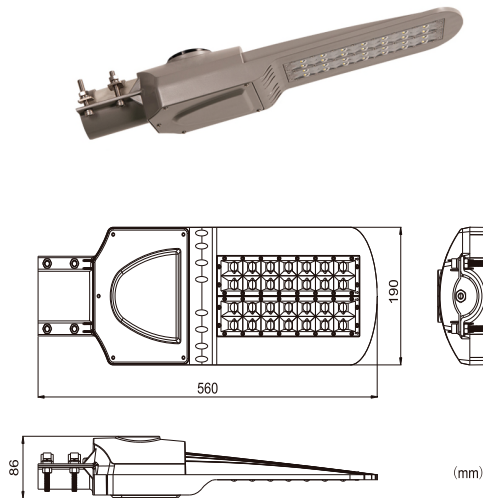
Pure Aluminium Heat Sink



Philips / Cree / Lumileds LED Chipsets



Motion or Photocell Sensor



MODEL	DIM (option)	Wattage (W)	Voltage (V)	Sensor Photocell/Motion	CCT (k)	Lumen	Beam Angle (°)	Size (mm) (LxWxD)	Surface Colour	Weight (kg)
GMHAW-20W	0-10V	20W	120/277	Option	3000-6500	2700	120	560*190*86	Grey/Black	3.5
GMHAW-30W	0-10V	30W	120/277	Option	3000-6500	4050	120	560*190*86	Grey/Black	3.5
GMHAW-40W	0-10V	40W	120/277	Option	3000-6500	5400	120	560*190*86	Grey/Black	3.5
GMHAW-50W	0-10V	50W	120/277	Option	3000-6500	6750	120	560*190*86	Grey/Black	3.5
GMHAW-60W	0-10V	60W	120/277	Option	3000-6500	8100	120	560*190*86	Grey/Black	3.5