

Hilumen Series LED Floodlight



Better solutions for a Led Flood Light

-  **IP65 water-proof**
-  **AC100-277V 50/60Hz**
-  **Easy Installation**
-  **135Lm/w**

Options

Power MEAN WELL DRIVER Standard Dimmable 1-10V	Color 3000K 4000K 5700K
--	---

Application

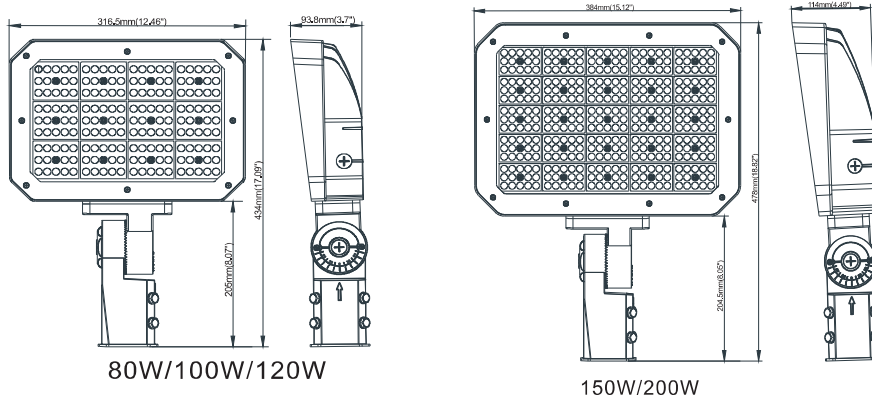
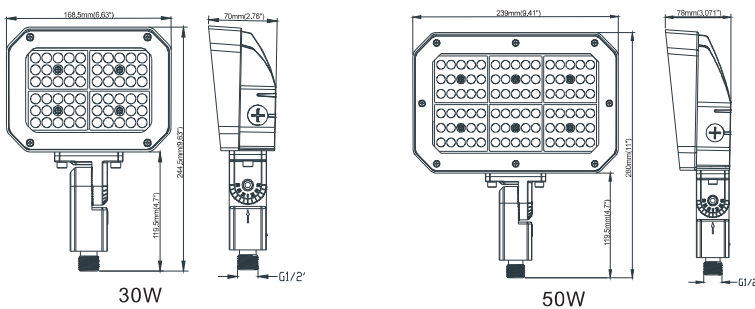
Sports Lighting, Stadium lighting, Sports fields, Car parks, High mast installations Dock, railway and container yards, Ports and other large scale outdoor applications, Architectural lighting, Landscape lighting, Industrial and commercial exterior lighting, Decorative lighting, tradeshow, exhibitions.



Specifications

Item	Power	Lumen	Leds	CRI	Weight	Beam Angle
GBHIL-30W	30W	3300Lm	LUMILEDS 3030	> 80	1.6kg	90×120°
GBHIL-50W	50W	6000Lm	LUMILEDS 3030	> 80	2.6kg	90×120°
GBHIL-80W	80W	10000Lm	LUMILEDS 3030	> 80	3.2kg	90×120°
GBHIL-100W	100W	13000Lm	LUMILEDS 3030	> 80	5.8kg	90×120°
GBHIL-120W	120W	15600Lm	LUMILEDS 3030	> 80	6.2kg	90×120°
GBHIL-150W	150W	20250Lm	LUMILEDS 3030	> 80	7.3kg	90×120°
GBHIL-200W	200W	27000Lm	LUMILEDS 3030	> 80	8.5kg	90×120°

Dimensions(mm)



Hilumen Series LED Floodlight



Model Options



P1 G1/2" Knuckle mount



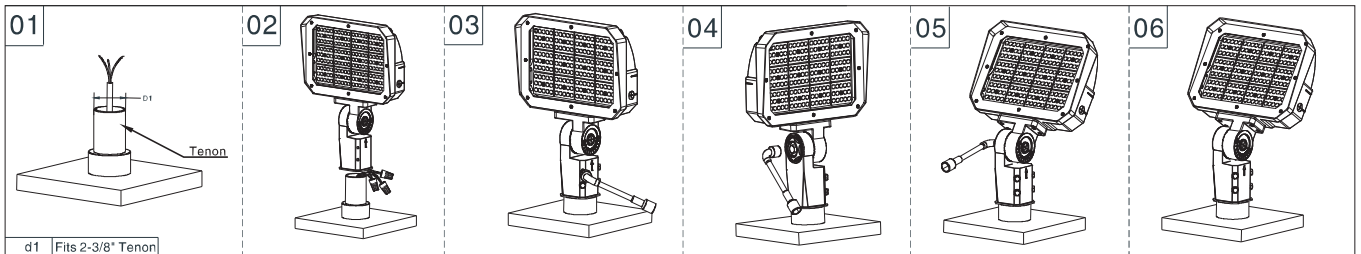
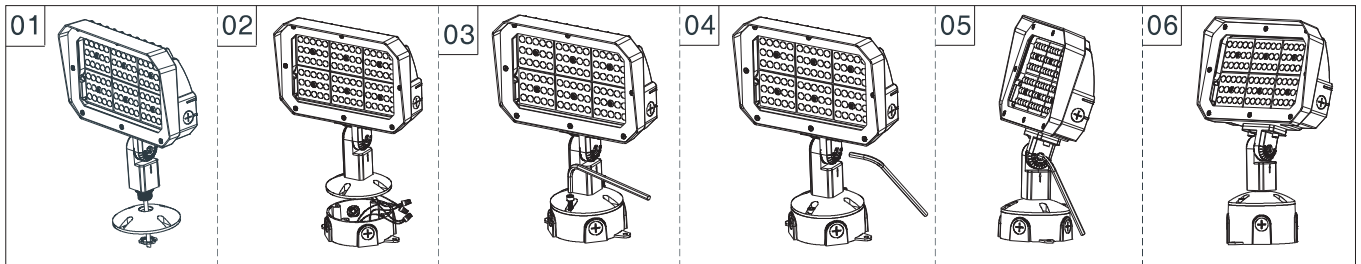
P2 Trunnion mount



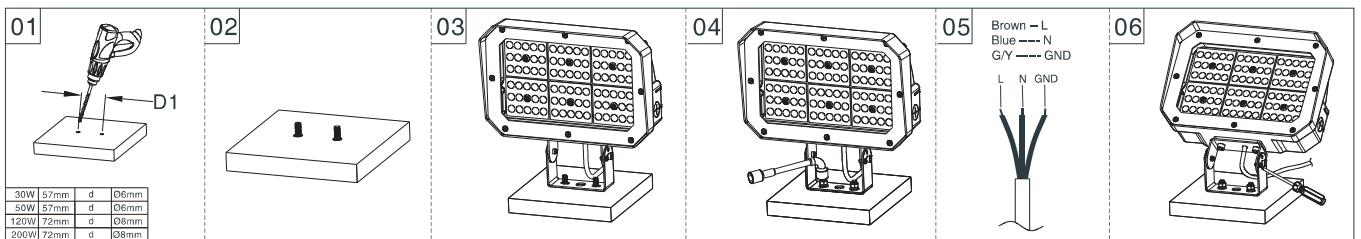
P3 Yoke mount

Installation

P1 G1/2" Knuckle mount



P2 Trunnion mount



P3 Yoke mount

