



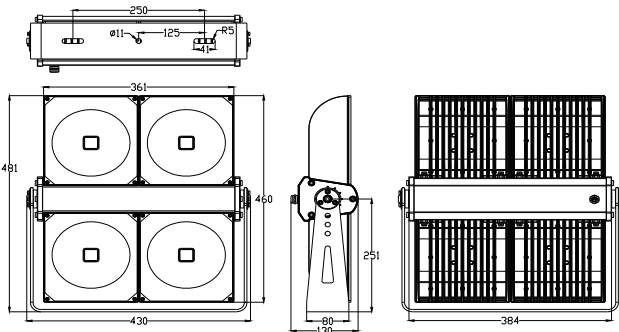
greenlux
cost reduction LED lighting

LED Pluto Series Floodlight

Available in 360W & 400W
80% lumen maintenance at 50,000 hours

GSPLU-360W

GSPLU-400W



- Instant power reduction!
 - 0% Mercury, 100% Environmentally friendly
 - 0~355° rotatable
 - No IR or UV radiation, low heat generation
 - Flexible modular design
 - Advanced thermal management
 - High lumen output at 30020lm~34680lm
- Applications include Grandstands, stadiums, museums, sculptures, clubs, bars and restaurants.



Specifications

Colour Range	2700-6500K
Power Consumption	360/400W
Lumen Output	30020/34680lm
Input Voltage	100V/277V AC 50-60Hz
Power Factor	>0.9
Operating Temp.	-20°C to 50°C
Humidity	0 - 95%
Beam angle	120°
CRI	>70
Chipset	Bridgelux (COB)
Housing Color	Black / White
Driver	Mean Well Driver

Dimensions & Materials

Product Dimensions (mm)	481 x 430 x 130 (LxWxH)
Housing Material	Powder Coated Aluminum
Weight	17kg

Certification and Safety

Certifications	IP65, CE, RoHS, SAA, RCM
Environment	Outdoor Location
Warranty	5 years



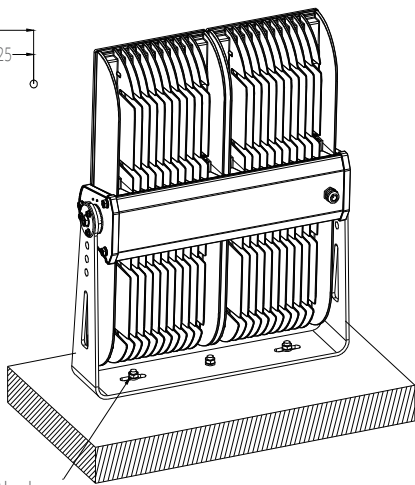
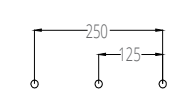


greenlux
cost reduction LED lighting

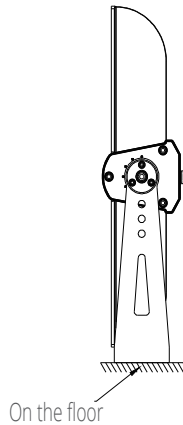
LED Pluto Series Floodlight

Available in 360W & 400W
80% lumen maintenance at 50,000 hours

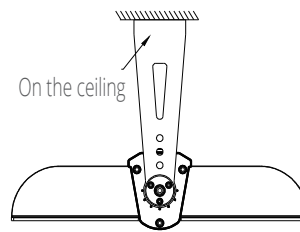
Installation



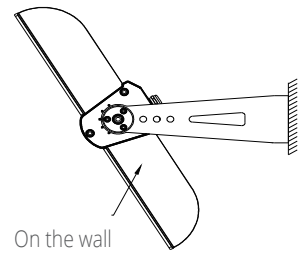
Use bolts to fix the lamp to the installation surface.



On the floor



On the ceiling



On the wall



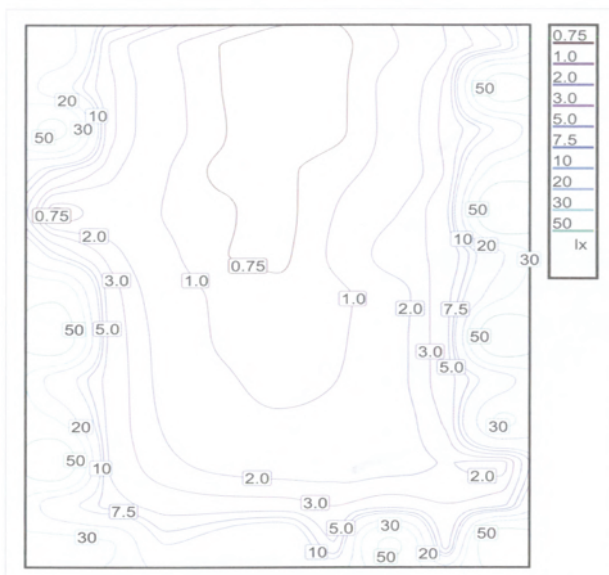
NOTE: All electrical work must be carried out by a licensed electrician as per the latest AS 3000 wiring regulations.



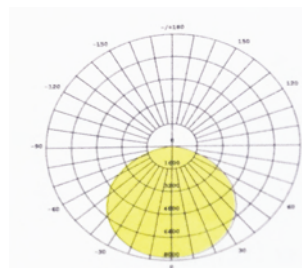
All entry points should be sealed properly to maintain the IP65 rating of the fitting. Warranty void if water damage found.

Photometrics

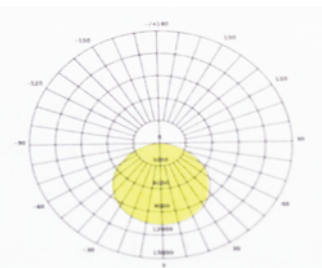
Calculation Surface 4 / Isolines/ Horizontal Illuminance



GSPLU-360W



GSPLU-400W



Horizontal Illuminance (Grid)
Average: 9.95 lx, Max: 83 lx, Min/average: 0.062, Min/max: 0.007, Points: 9x13 (Relevant: all)





greenlux
cost reduction LED lighting

LED Pluto Series Floodlight

Available in 360W & 400W
80% lumen maintenance at 50,000 hours

Product Range

MODEL	DIM	Wattage (W)	Voltage (V)	Life-time (hrs)	CCT (k)	Lumen	Beam Angle (°)	Size (mm) (LxWxD)	Surface Colour
GSPLU-360W	No	360W	100/277	50,000	2700-6500	30020	120	481x430x130	Black/White
GSPLU-400W	No	400W	100/277	50,000	2700-6500	34680	120	481x430x130	Black/White

