

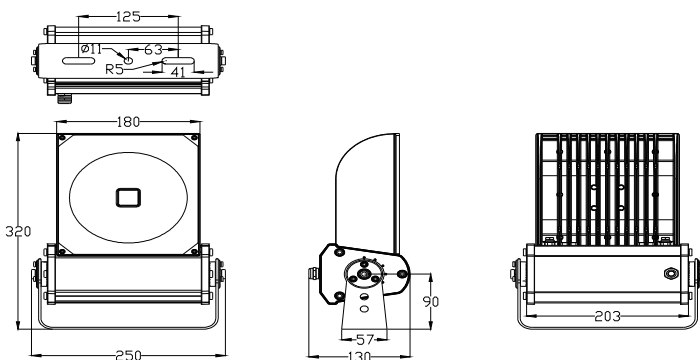


greenlux
cost reduction LED lighting

LED Pluto Series Floodlight

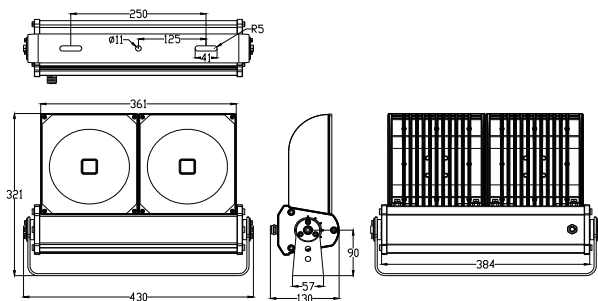
Available in 80W~400W
80% lumen maintenance at 50,000 hours

GSPLU-80W



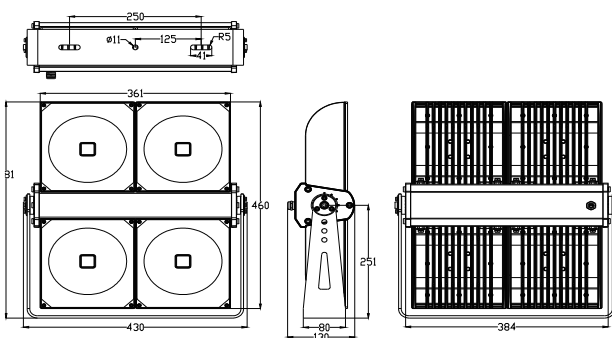
GSPLU-100W

GSPLU-150W



GSPLU-200W

GSPLU-360W



GSPLU-400W





greenlux
cost reduction LED lighting

LED Pluto Series Floodlight

Available in 80W~400W
80% lumen maintenance at 50,000 hours

- Instant power reduction!
 - 0% Mercury, 100% Environmentally friendly
 - 0~355° rotatable
 - No IR or UV radiation, low heat generation
 - Flexible modular design
 - Advanced thermal management
 - High lumen output at 6816lm~34680lm
 - Available in multiple wattage 80/100/150/200/360/400W
 - Surface coating treatment, can withstand extreme weather conditions.
- Applications include Grandstands, stadiums, museums, sculptures, clubs, bars and restaurants.



Specifications

Colour Range	2700-6500K
Power Consumption	80~400W
Lumen Output	6816~34680lm
Input Voltage	100V/277V AC 50-60Hz
Maximum Current	1.2A/1.8A/2.3A/4.5A
Power Factor	>0.9
Operating Temp.	-20°C to 50°C
Humidity	0 - 95%
Beam angle	120°
CRI	>70
Chipset	Bridgelux (COB)
Housing Color	Black / White
Driver	Mean Well Driver

Dimensions & Materials

Product Dimensions (mm)	80-100W	250x320x130 (LxWxH)
	150-200W	430x321x130 (LxWxH)
	360-400W	481x430x130 (LxWxH)
Housing Material	Powder Coated Aluminum	
Weight	80-100W	4.3kg
	150-200W	8.4kg
	360-400W	17kg

Certification and Safety

Certifications	IP65, CE, RoHS, SAA, RCM
Environment	Outdoor Location
Warranty	5 years





greenlux
cost reduction LED lighting

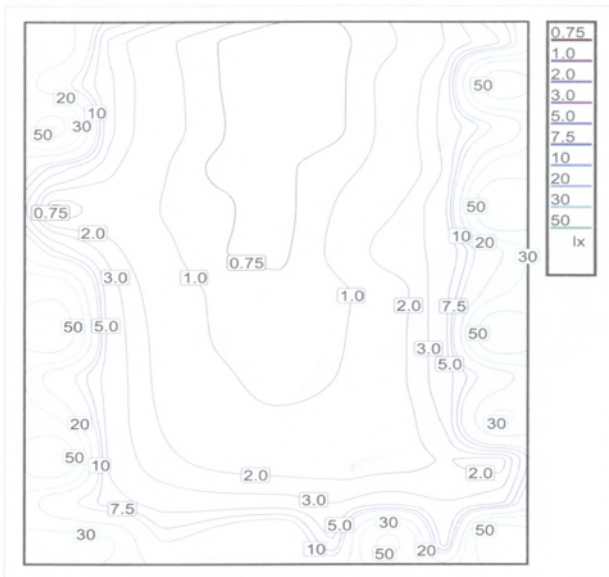
LED Pluto Series Floodlight

Available in 80W~400W

80% lumen maintenance at 50,000 hours

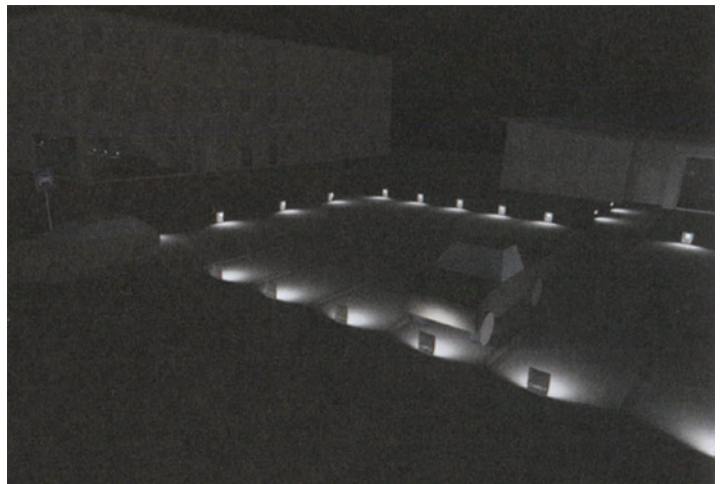
Photometrics

Calculation Surface 4 / Isolines/ Horizontal Illuminance

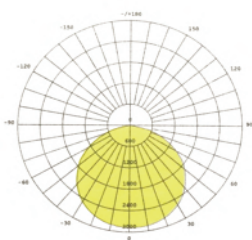


Horizontal Illuminance (Grid)

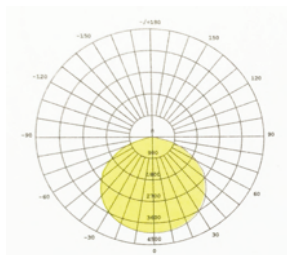
Average: 9.95 lx, Max: 83 lx, Min/average: 0.062,
Min/max: 0.007, Points: 9x13 (Relevant: all)



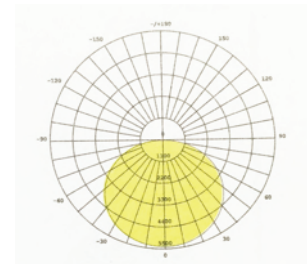
GSPLU-100W



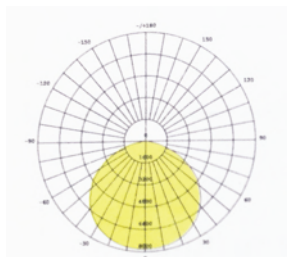
GSPLU-150W



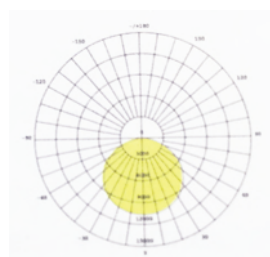
GSPLU-200W



GSPLU-360W



GSPLU-400W



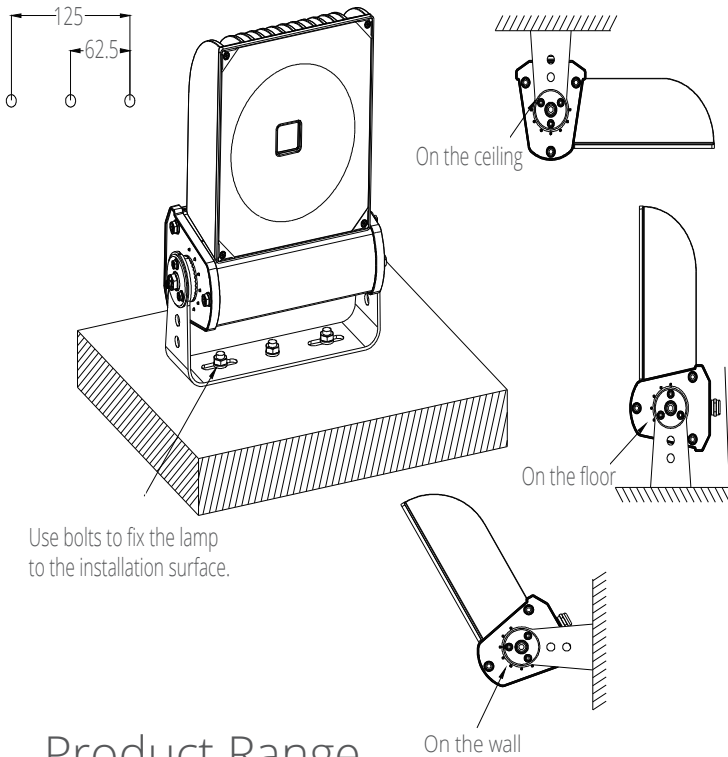


greenlux
cost reduction LED lighting

LED Pluto Series Floodlight

Available in 80W~400W
80% lumen maintenance at 50,000 hours

Installation



NOTE: All electrical work must be carried out by a licensed electrician as per the latest AS 3000 wiring regulations.



All entry points should be sealed properly to maintain the IP65 rating of the fitting. Warranty void if water damage found.

Product Range

MODEL	DIM	Wattage (W)	Voltage (V)	Life-time (hrs)	CCT (k)	Lumen	Beam Angle (°)	Size (mm) (LxWxD)	Surface Colour
GSPLU-80W	No	80W	100/277	50,000	2700-6500	6816	120	250x320x130	Black/White
GSPLU-100W	No	100W	100/277	50,000	2700-6500	8520	120	250x320x130	Black/White
GSPLU-150W	No	150W	100/277	50,000	2700-6500	13550	120	430x321x130	Black/White
GSPLU-200W	No	200W	100/277	50,000	2700-6500	17770	120	430x321x130	Black/White
GSPLU-360W	No	360W	100/277	50,000	2700-6500	30020	120	481x430x130	Black/White
GSPLU-400W	No	400W	100/277	50,000	2700-6500	34680	120	481x430x130	Black/White