



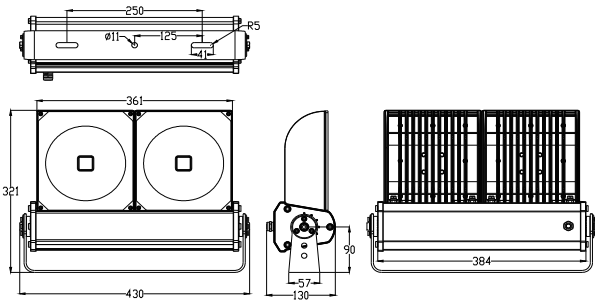
**greenlux**  
cost reduction LED lighting

# LED Pluto Series Floodlight

Available in 150W & 200W  
80% lumen maintenance at 50,000 hours

**GSPLU-150W**

**GSPLU-200W**



- Instant power reduction!
  - 0% Mercury, 100% Environmentally friendly
  - 0~265° rotatable
  - No IR or UV radiation, low heat generation
  - Flexible modular design
  - Advanced thermal management
  - High lumen output at 13550lm~17770lm
- Applications include Grandstands, stadiums, museums, sculptures, clubs, bars and restaurants.

## Specifications

<b>Colour Range</b>	2700-6500K
<b>Power Consumption</b>	150/200W
<b>Lumen Output</b>	13550/17770lm
<b>Input Voltage</b>	100V/277V AC 50-60Hz
<b>Power Factor</b>	>0.9
<b>Operating Temp.</b>	-20°C to 50°C
<b>Humidity</b>	0 - 95%
<b>Beam angle</b>	120°
<b>CRI</b>	>70
<b>Chipset</b>	Bridgelux (COB)
<b>Housing Color</b>	Black / White
<b>Driver</b>	Mean Well Driver



## Dimensions & Materials

<b>Product Dimensions (mm)</b>	430x321x130 (LxWxH)
<b>Housing Material</b>	Powder Coated Aluminum
<b>Weight</b>	8.4kg

## Certification and Safety

<b>Certifications</b>	IP65, CE, RoHS, SAA, RCM
<b>Environment</b>	Outdoor Location
<b>Warranty</b>	5 years



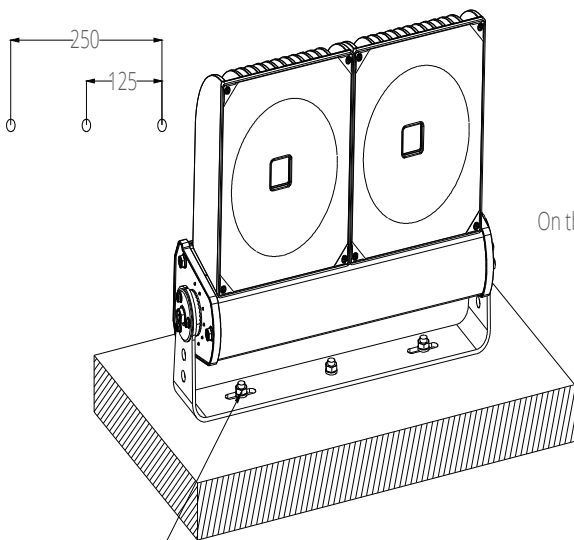


**greenlux**  
cost reduction LED lighting

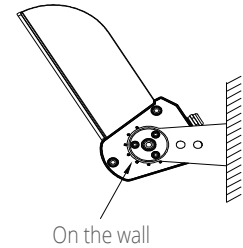
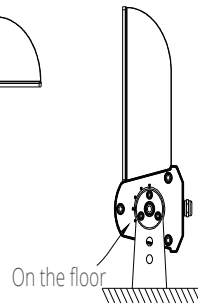
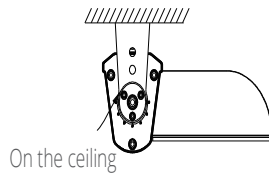
# LED Pluto Series Floodlight

Available in 150W & 200W  
80% lumen maintenance at 50,000 hours

## Installation



Use bolts to fix the lamp to the installation surface.



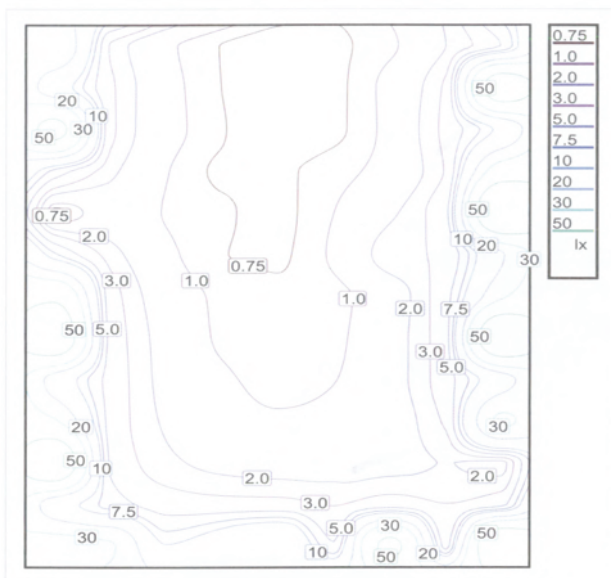
NOTE: All electrical work must be carried out by a licensed electrician as per the latest AS 3000 wiring regulations.



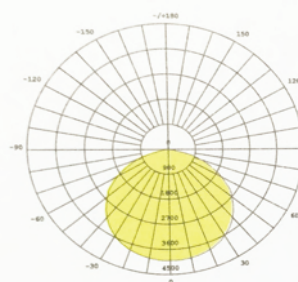
All entry points should be sealed properly to maintain the IP65 rating of the fitting. Warranty void if water damage found.

## Photometrics

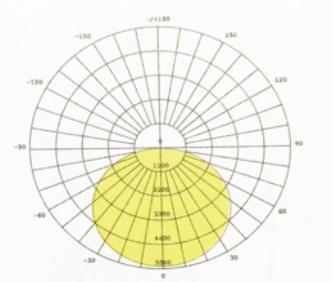
Calculation Surface 4 / Isolines/ Horizontal Illuminance



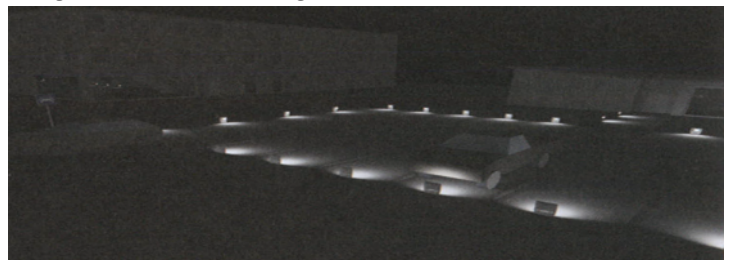
GSPLU-150W



GSPLU-200W



Horizontal Illuminance (Grid)  
Average: 9.95 lx, Max: 83 lx, Min/average: 0.062, Min/max: 0.007, Points: 9x13 (Relevant: all)





**greenlux**  
cost reduction LED lighting

# LED Pluto Series Floodlight

Available in 150W & 200W  
80% lumen maintenance at 50,000 hours

## Product Range

MODEL	DIM	Wattage (W)	Voltage (V)	Life-time (hrs)	CCT (k)	Lumen	Beam Angle (°)	Size (mm) (LxWxD)	Surface Colour
GSPLU-150W	No	150W	100/277	50,000	2700-6500	13550	120	430x321x130	Black/White
GSPLU-200W	No	200W	100/277	50,000	2700-6500	17770	120	430x321x130	Black/White

