



greenlux
cost reduction LED lighting

Quantum Series LED Bulkhead Emergency & Sensor

Available in Common, Sensor, Emergency, Sensor & Emergency

- Available in Common, Sensor, Emergency, or Sensor + Emergency
- Emergency model designed to comply with AS2293 Australian Emergency lighting standards
- Environmentally friendly and energy-saving
- No UV or IR radiation
- SMD LED light source, high bright and soft light
- Superb structure and excellent thermal management
- Built-in converter, automatically switches to battery output during a black out
- Easy change Ni-MH battery
- Test button with LED indicator
- 5 years Warranty
- Microwave standby sensor
- Aluminium base, PC cover
- Applications includes stairwells, corridors, elevators, lobbies, balconies or other public places



Specifications

Colour Range	3000-6500k
Luminous Flux	1800~2000lm
Input Voltage	AC 100-240V 50/60Hz
Power Consumption	20W
Operating Temp.	-10°C to 40°C
Beam Angle	120°
IP rating	IP65
Chipset	Epistar 3528 SMD LED
CRI	75
PF	>0.9

Dimensions

Dimensions (mm)	Round	315*315*98 (L*W*H)
	Square	320*320*99 (L*W*H)

Emergency Duration	>3 hours
---------------------------	----------

Battery	Ni-MH rechargeable
----------------	--------------------

Housing Material	Aluminum base + PC cover
-------------------------	--------------------------

Certification and Safety

Certifications	IP65, CE, RoHS, SAA, RCM
-----------------------	--------------------------

Environment	Indoor Location
--------------------	-----------------

Warranty	5 years
-----------------	---------





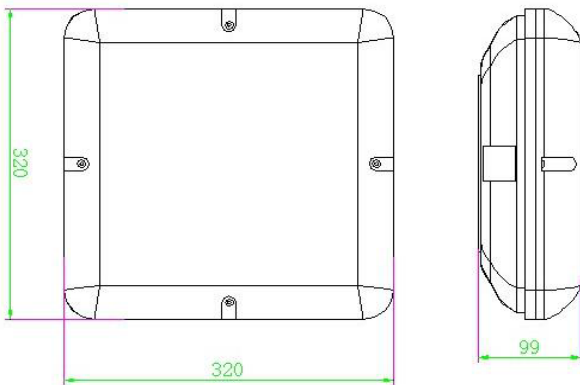
greenlux
cost reduction LED lighting

Quantum Series LED Bulkhead Emergency & Sensor

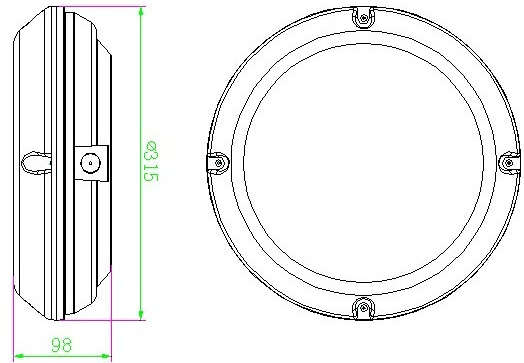
Available in Common, Sensor,
Emergency, Sensor & Emergency

Dimensions

Square



Round



Emergency

Type	Maintained
Battery (High Temp)	9.6V 3.2AH Ni-MH Rechargeable
Emergency Output	18% nominal power
Emergency Duration	>3 Hours
Charge Time	<12Hours
LED indication	Red: charging; Green: fully charged; Yellow: battery fault or disconnected
Test button	AC power on: Push and hold the button to enter emergency mode; release button to come back AC power mode

Microwave Sensor

Sensor Range	180 degree; 1 - 8M (adjustable)
Sensing Interval	10s to 5min max (adjustable)
Sensing interval output	20% light output at standby
Detection Angle	360 degree
Input Voltage	12V DC
Output Power	5V DC
HF System	5.8Hz+/-75MHz CW Radar ISM band

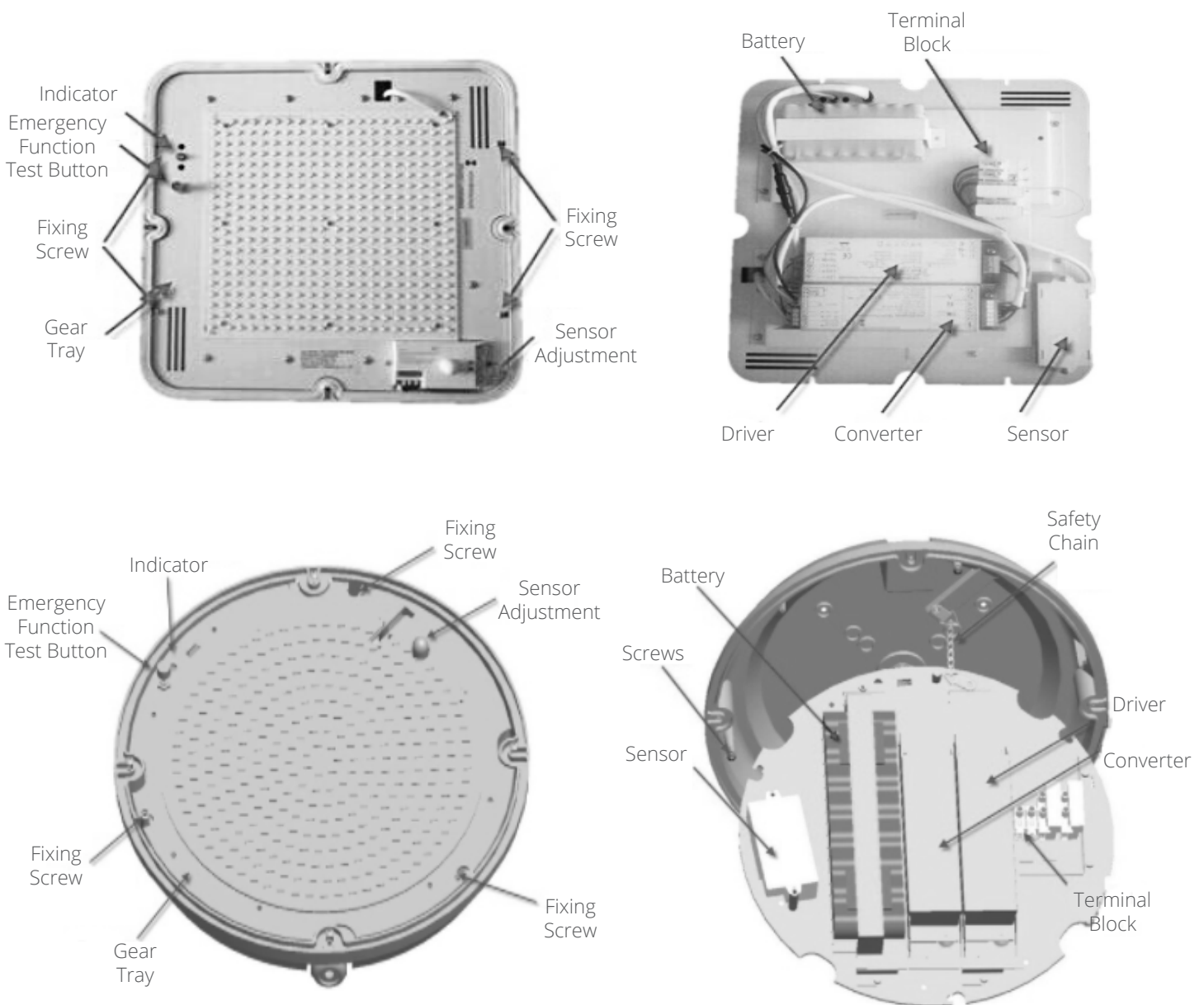


greenlux
cost reduction LED lighting

Quantum Series LED Bulkhead **Emergency & Sensor**

Available in Common, Sensor, Emergency, Sensor & Emergency

Diagram

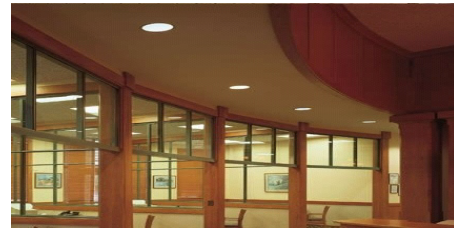




greenlux
cost reduction LED lighting

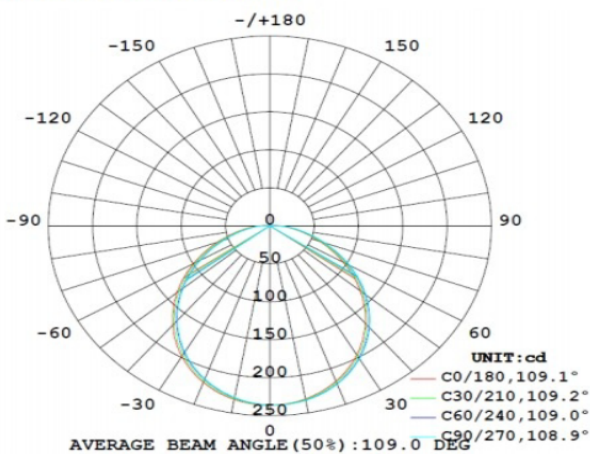
Quantum Series LED Bulkhead Emergency & Sensor

Available in Common, Sensor, Emergency, Sensor & Emergency

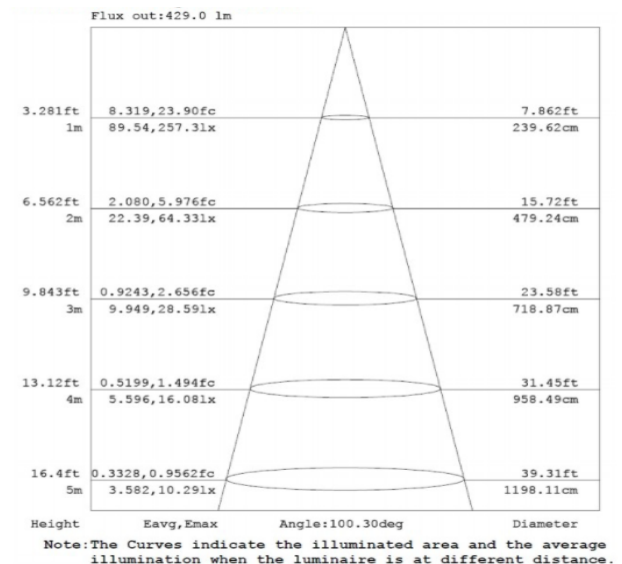


Photometric

LUMINOUS INTENSITY DISTRIBUTION DIAGRAM



ILLUMINATED AREA AND AVERAGE ILLUMINATION CURVE



Product Range

The standby light output level for all models with the microwave sensor is 20% of full light output level.

Model#	Description	Lumen Output (lm)		Rated Power (W)	
		Full Light (lm)	Full Light	Full Light	Standby Light
GBQUA-20W-C	Standard	1800~2000lm	20W		N/A
GBQUA-20W-S	20% Standby Sensor	1800~2000lm	20W		4W
GBQUA-20W-E	3 Hours Emergency	1800~2000lm	20W		N/A
GBQUA-20W-ES	20% Standby Sensor + 3 Hours Emergency	1800~2000lm	20W		7W