



greenlux
cost reduction LED lighting

Ray Series 03 LED Street Light

Available in Multiple Wattage
80% lumen maintenance at 50,000 hours

- Class II electric insulation
- Double photomium diffuser technology
- Supper white toughened glass
- Sealed lamp housing
- High quality die-casting aluminium housing
- High lumen output 100lm/W
- High efficiency Cree LED chipset
- Photocell sensor available
- IP66, IK09 Rated for external use
- Applications include streets, gardens, parks, and commercial sites



Specifications

Colour Range	3000 ~ 6500k
Power Consumption	35W ~ 180W
Product Dimensions (mm)	630*300*130 (L*W*H) 750*366*131 (L*W*H)
Lumen	3500lm ~ 18000lm
Input Voltage	AC 100-277V 50/60Hz
Beam angle	160°
CRI	>75
Power Factor	>0.95
Chipset	Cree
Pipe Diameter	48mm
Driver	Mean Well / Philips
Housing Color	Black / Grey

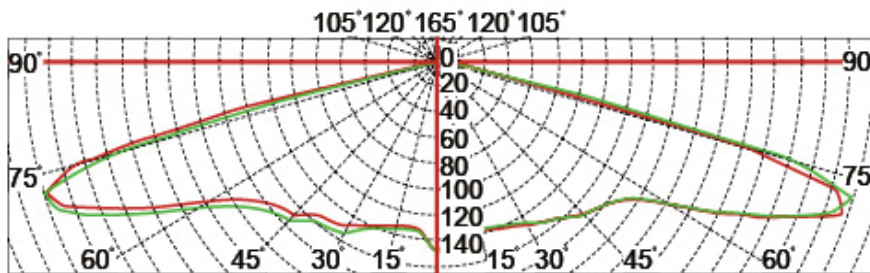
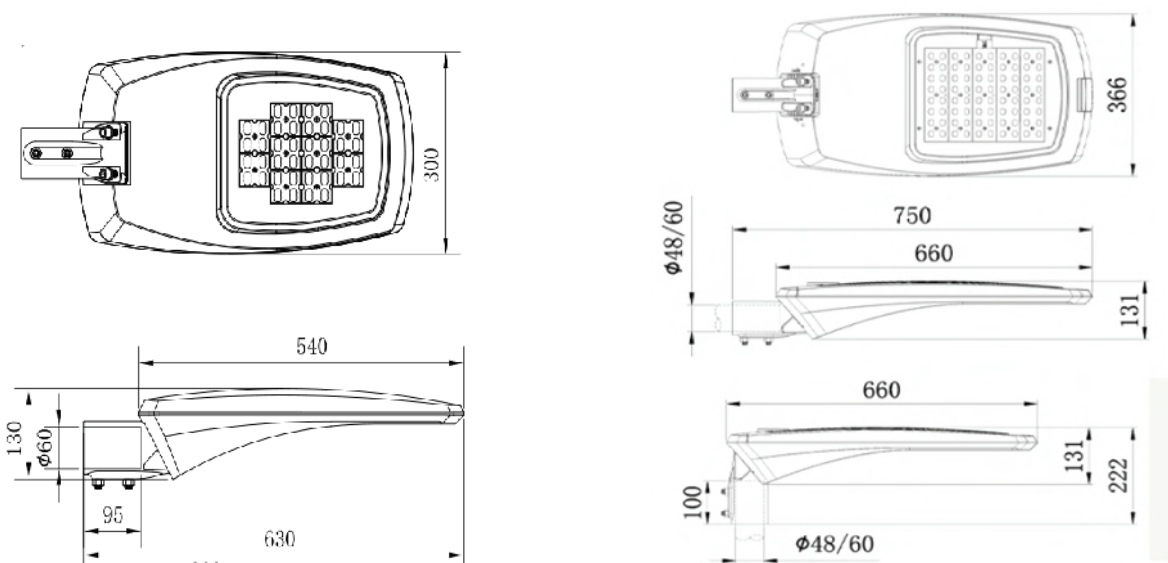




greenlux
cost reduction LED lighting

Ray Series 03 LED Street Light

Dimensions & Photometrics





greenlux
cost reduction LED lighting

Ray Series 03 LED Street Light

Product Range

Model#	Dimension	Beam Angle	CCT	Lumens	Wattage	LED
GYRAY-35W-03	630*300*130	160°	3000-6500k	3500	35W	Cree
GYRAY-45W-03	630*300*130	160°	3000-6500k	4500	45W	Cree
GYRAY-55W-03	630*300*130	160°	3000-6500k	5500	55W	Cree
GYRAY-60W-03	630*300*130	160°	3000-6500k	6000	60W	Cree
GYRAY-70W-03	630*300*130	160°	3000-6500k	7000	70W	Cree
GYRAY-80W-03	630*300*130	160°	3000-6500k	8000	80W	Cree
GYRAY-90W-03	630*300*130	160°	3000-6500k	9000	90W	Cree
GYRAY-100W-03	630*300*130	160°	3000-6500k	10000	100W	Cree
GYRAY-110W-03	750*366*131	160°	3000-6500k	11000	110W	Cree
GYRAY-140W-03	750*366*131	160°	3000-6500k	14000	140W	Cree
GYRAY-180W-03	750*366*131	160°	3000-6500k	28175	180W	Cree