

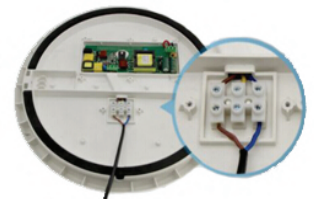


**greenlux**  
cost reduction LED lighting

# Slim Series 01 LED Ceiling Oyster Light

Available in Multiple Wattage  
80% lumen maintenance at 50,000 hours

- Surface Mounted ceiling light, 120° beam angle
- Waterproof and Super Slim
- Ultra thin appearance
- High lumen output
- Fire-rated PC diffuser
- Isolated driver
- High quality 2835 SMD
- IP54 Rated
- No UV or IR rays. No mercury
- 3 Years Warranty
- Applications include ceilings, walls, walkways, hotels, restaurants, museums & display cases



## Specifications

<b>Colour Range</b>	3000-5700k
<b>Chipset</b>	2538 SMD
<b>Power Consumption</b>	12W/18W/25W/30W
<b>Lumen Output</b>	95 ~ 100lm/W
<b>Input Voltage</b>	100 ~ 240V
<b>Beam angle</b>	120°
<b>CRI</b>	80
<b>Power Factor</b>	>0.9
<b>Driver</b>	Class II
<b>IP Rating</b>	IP54
<b>Dimmer</b>	Triac Dimmers
<b>Dimming Range</b>	8% ~ 100%

## Dimensions & Material

<b>Wattage</b>	<b>Size (mm)</b>
<b>12W</b>	Ø250 x 48
<b>18W</b>	Ø300 x 40
<b>25W</b>	Ø350 x 40
<b>30W</b>	Ø400 x 52
<b>Housing Material</b>	PC Housing & Diffuser

## Certification and Safety

<b>Certifications</b>	IP54, CE, RoHS, SAA, RCM
<b>Environment</b>	Indoor & Sheltered Location
<b>Warranty</b>	3 years



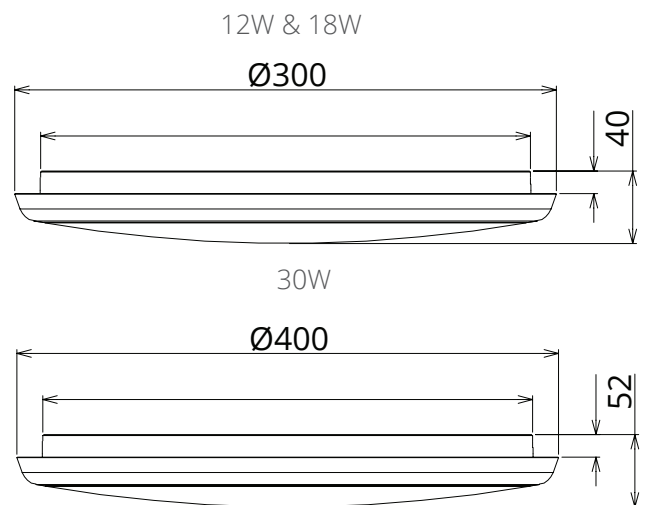
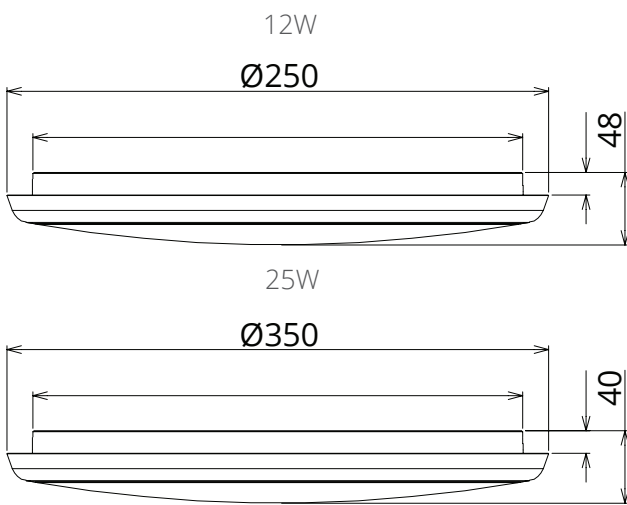


**greenlux**  
cost reduction LED lighting

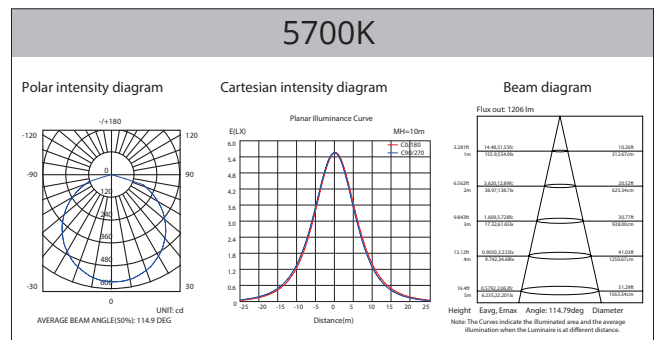
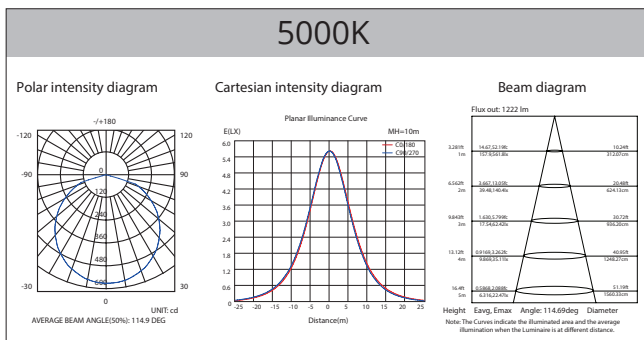
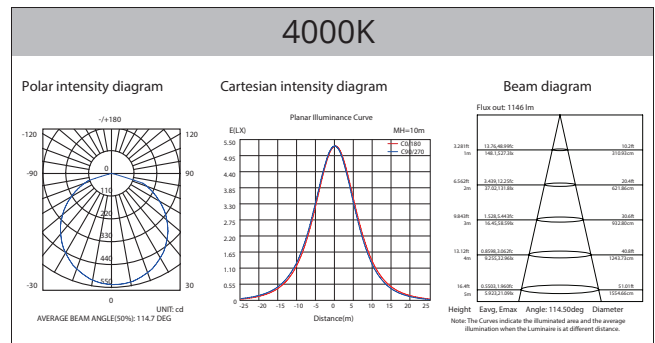
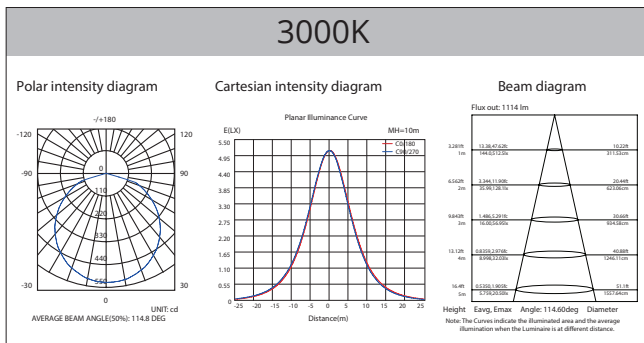
# Slim Series 01 LED Ceiling Oyster Light

Available in Multiple Wattage  
80% lumen maintenance at 50,000 hours

## Dimensions



## Photometric



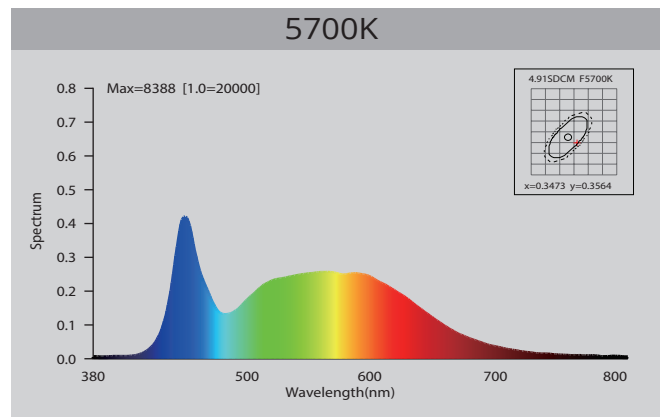
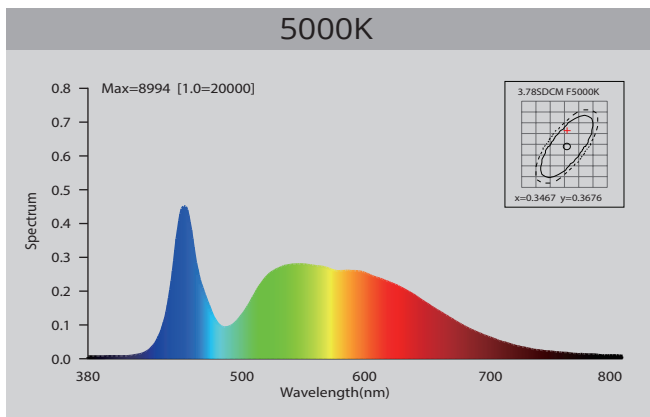
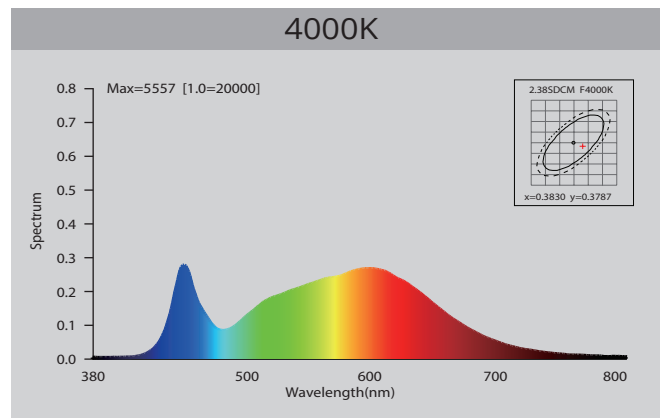
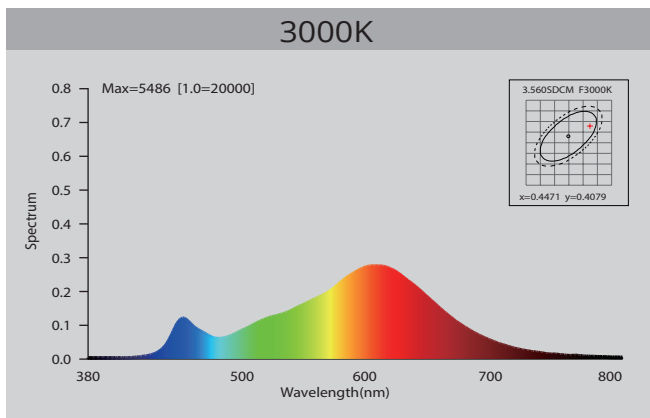


**greenlux**  
cost reduction LED lighting

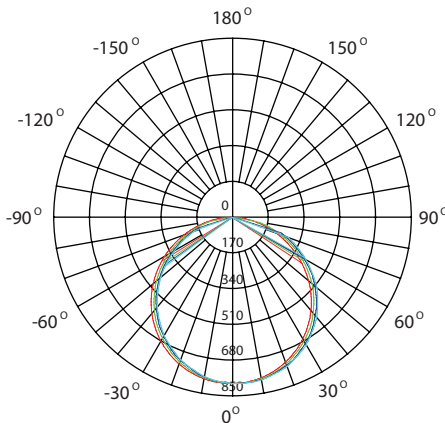
# Slim Series 01 LED Ceiling Oyster Light

Available in Multiple Wattage  
80% lumen maintenance at 50,000 hours

## Spectral Distribution



## Polar Diagram Comparison



GUOYS-18W

UNIT: cd

- C0/180, 114.9 deg
- C30/210, 114.9 deg
- C60/240, 114.9 deg
- C90/270, 114.8 deg

AVERAGE BEAM ANGLE (50%): 114.9DEG



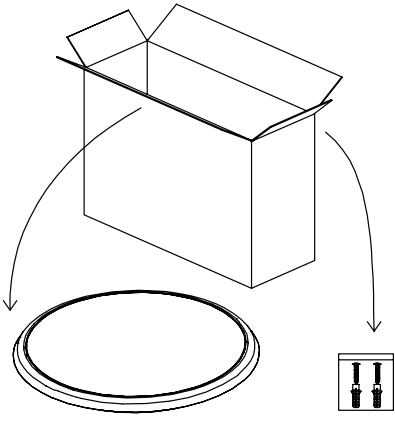
**greenlux**  
cost reduction LED lighting

# Slim Series 01 LED Ceiling Oyster Light

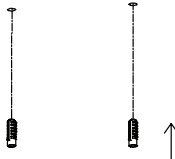
Available in Multiple Wattage  
80% lumen maintenance at 50,000 hours

## Installation & Model

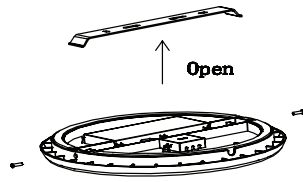
1. Take out ceiling light and accessory pack from box



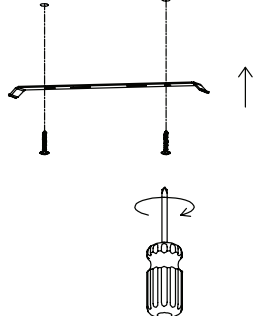
2. Knock-in the plastic anchor into ceiling



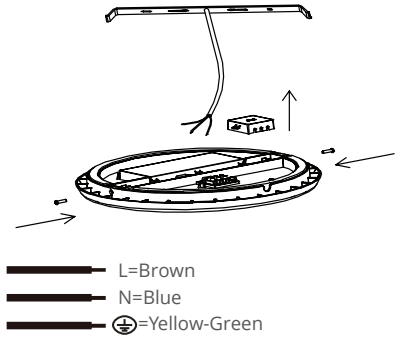
3. Remove screw, take out bracket



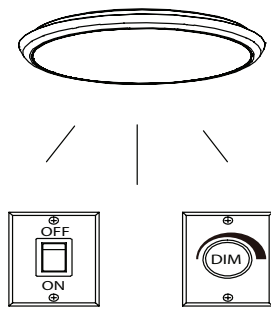
4. Fix bracket with screw into the ceiling



5. Open junction box, wire "L" to terminal block and mount ceiling light into the right place



6. Switch on



Legend:  
L=Brown  
N=Blue  
Yellow-Green

Model#	Dimension	Beam Angle	CCT	Lumens	Wattage	LED
GUSLI-12W-01	250*48	120°	3000-5700k	1020~1120	12W	2835 SMD
GUSLI-18W-01	300*40	120°	3000-5700k	1530~1620	18W	2835 SMD
GUSLI-25W-01	350*40	120°	3000-5700k	2075~2250	25W	2835 SMD
GUSLI-30W-01	400*52	120°	3000-5700k	2400~2460	30W	2835 SMD