



greenlux
cost reduction LED lighting

Sole Series LED Bulkhead Light

Available in Common & Sensor
80% lumen maintenance at 50,000 hours

- No UV or IR rays. No mercury
- Designed to replace CFL and Halogen ceiling lights
- Available in common & sensor
- Ceiling or wall mounted
- Available in square and round shape
- 300mm Ceiling mounted fully LED panel (integrated)
- High quality 2835 SMD Chipset
- High lumen output
- High quality Aluminum base, excellent heat dissipation
- High quality PC housing, high impact resistance
- IP65 Rated (dust and weatherproof)
- 3 Year Warranty



Specifications

Colour Range	3000 ~ 6000K
Power Consumption	20W
Lumen Efficiency	105lm/W
Input Voltage	100V ~ 240V AC
Output Voltage	30V
Beam Angle	120°
Operation Temperature	-40° ~ 60°
Power factor	>0.9
IP Rating	IP65
CRI	>75Ra
Chipset	2835 SMD
Sensor	On / Off Sensor (option)

Dimensions & Materials

Dimensions (mm)	Round	Ø310*100
	Square	310*310*100
Weight	Round	1.62kg
	Square	1.92kg
Housing Material	Aluminum Base + PC Housing	
Housing Colour	White/Black	

Certification and Safety

Certifications	IP65, CE, RoHS, SAA, RCM
Environment	Indoor & Outdoor Location
Warranty	3 years
Reports	LM80, LM79, TM21





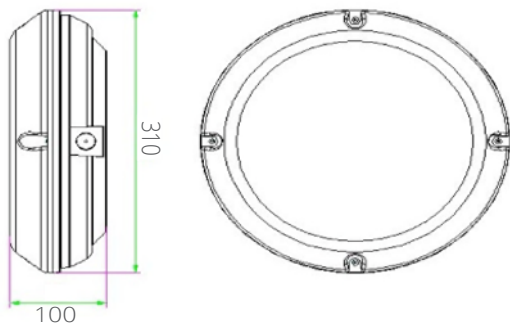
greenlux
cost reduction LED lighting

Sole Series LED Bulkhead Light

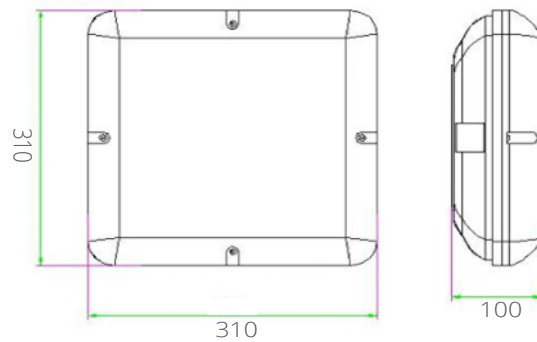
Available in Common & Sensor
80% lumen maintenance at 50,000 hours

Dimensions & Photometrics

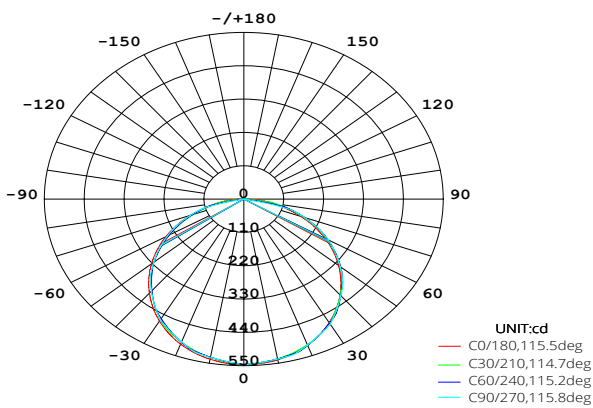
Round



Square

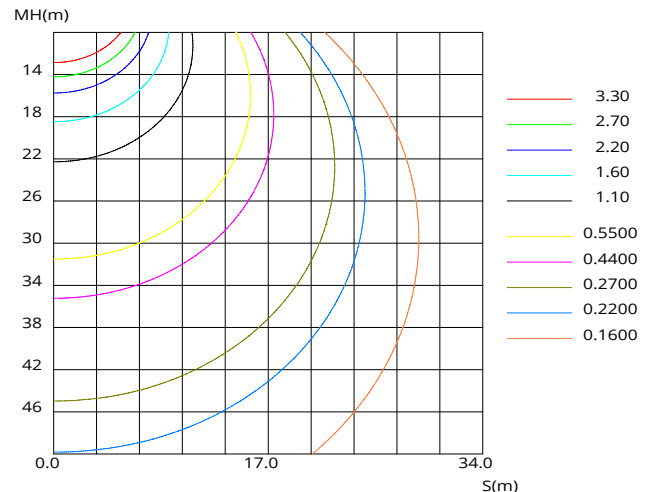


LUMINOUS INTENSITY DISTRIBUTION DIAGRAM-20W



AVERAGE BEAM ANGLE(50%):115.3 DEG

C0 PLANE ISOLUX DIAGRAM-20W (UNIT:lx)



Model

Model#	Dimension	Function	Beam Angle	CCT	Lumens	Wattage	LED
GLSOL-20W	310*310*100	Common	120°	3000-6000k	1900~2100	20W	2835 SMD
GLSOL-20W-S	310*310*100	On/Off Sensor	120°	3000-6000k	1900~2100	20W	2835 SMD