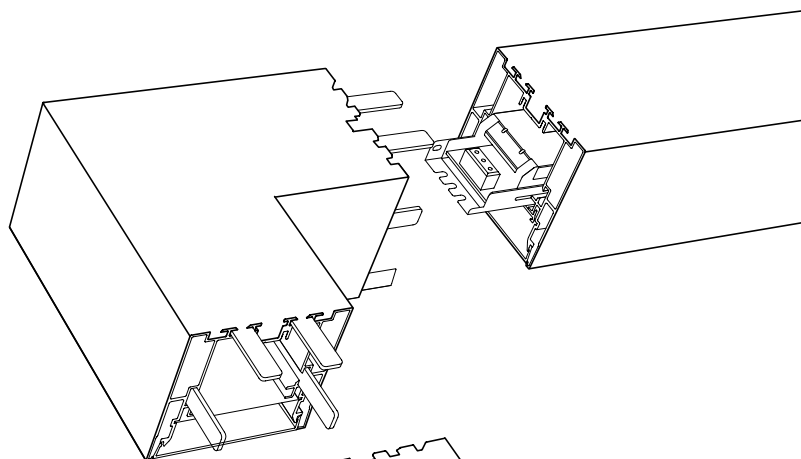
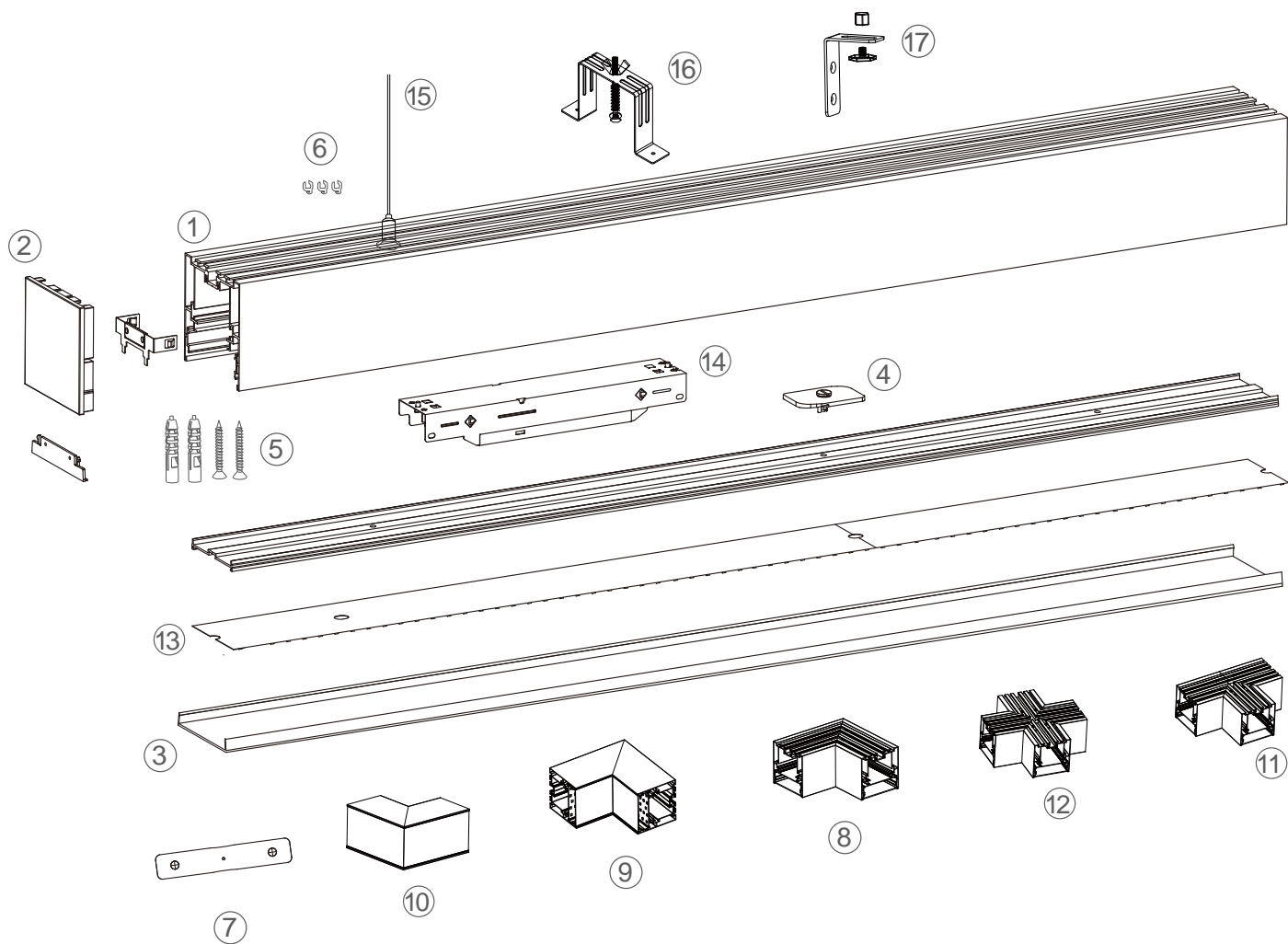


# USER MANUAL

Chain GLS3360 / GLS4067 / GLS5470



Please read the manual carefully before installation and application, and use the product in the correct way.  
Instructions on accessories are included in the manual.  
Please properly maintain the manual after reading and understanding it for convenient reference by all users  
of the product in the future.



## Essentials

- ① Profile x 1
- ② End caps x 2
- ③ Diffuser x 1
- ④ Carrier clip x 4
- ⑤ Surface-mounted screws x 3
- ⑥ Cable clip

## Light source and power supply \*

- ⑬ Flexible strip / rigid modular
- ⑭ Power supply

## Connectors \*

- ⑦ 180° extender
- ⑧ L connector
- ⑨ L interior connector
- ⑩ L exterior connector
- ⑪ T connector
- ⑫ X connector

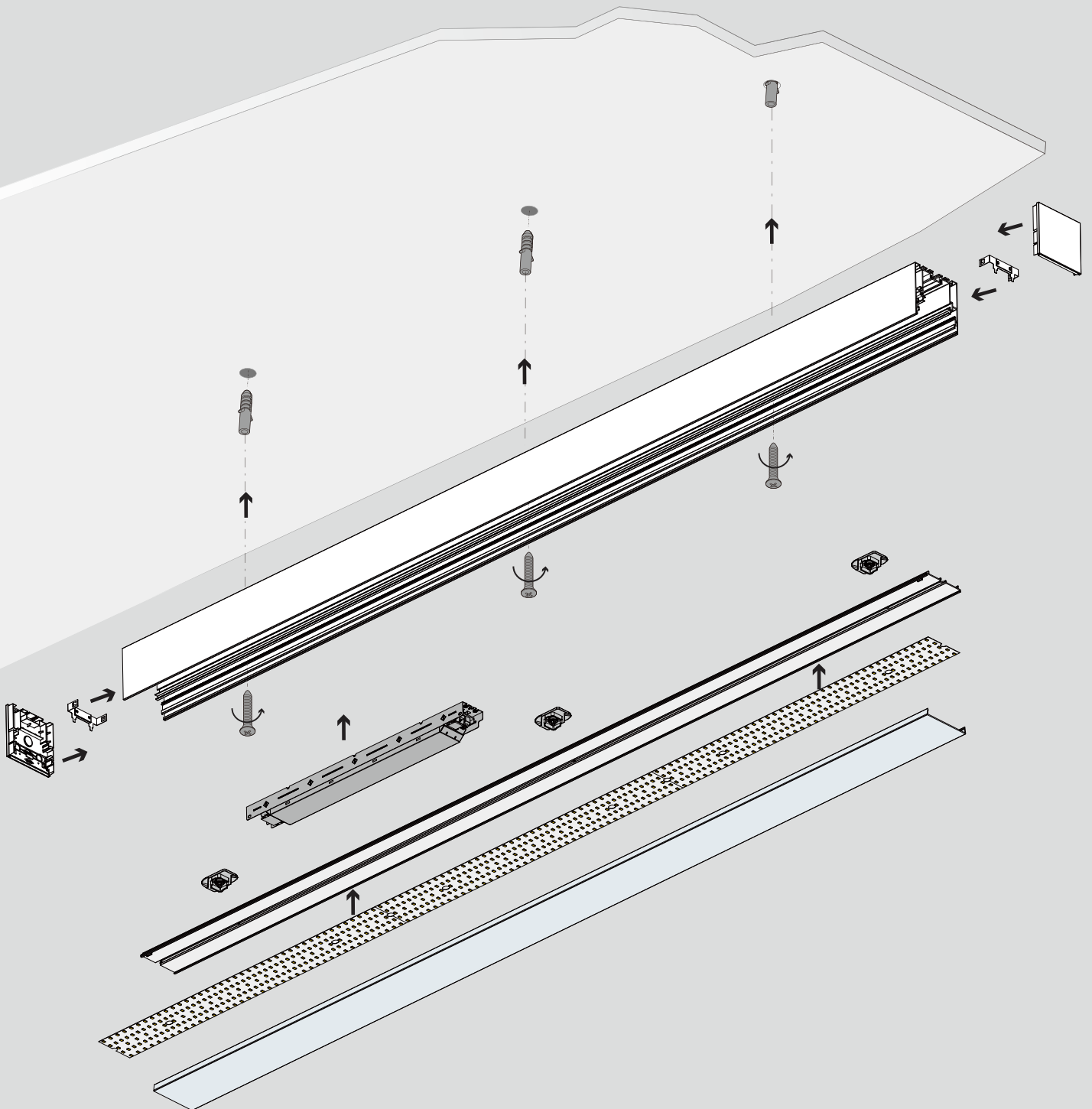
## Installation accessories \*

- ⑮ Pendant accessories with junction box / pendant accessories
- ⑯ Recessed accessories without trim
- ⑰ Wall-mounted accessories

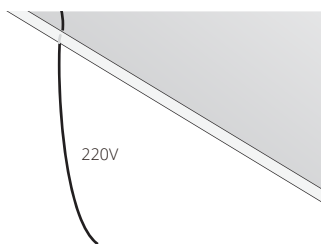
\* Optional accessories

# Installation

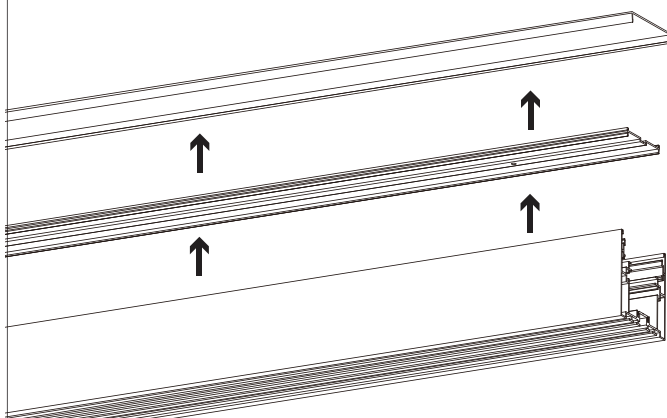
Surface-mounted 2.5 m



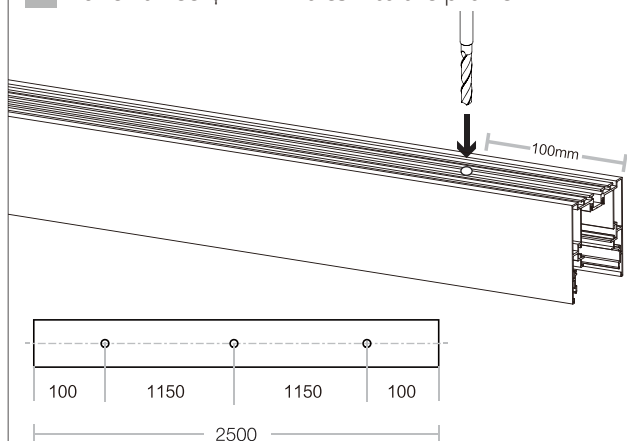
- 1** Make the 220V wire go through the ceiling  
 ⚠ Do not touch with wet hands or there is a risk of electric shock



- 2** Remove the diffuser and carrier

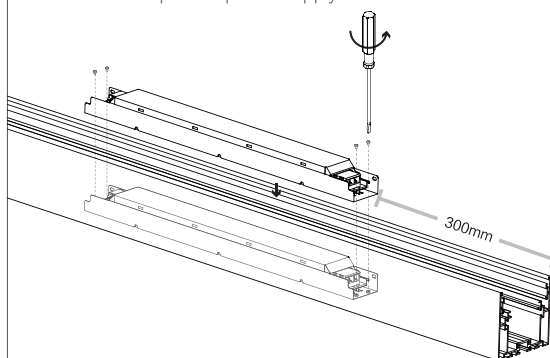


- 3** Punch three  $\phi$  4mm holes into the profile

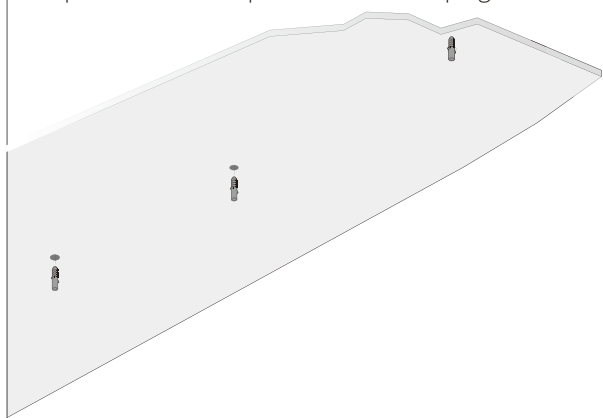


- 4** Mount the power supply on the profile

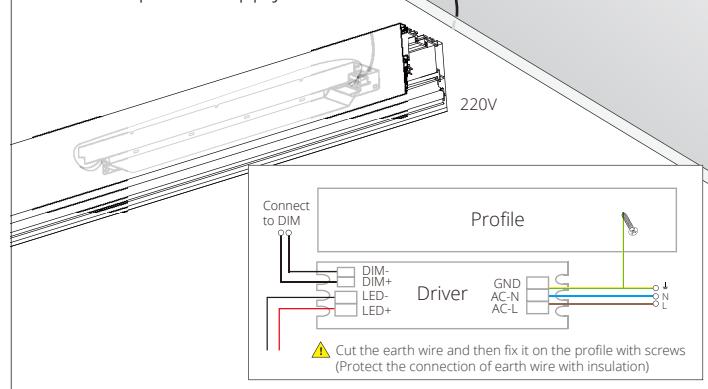
- ⚠ Please read carefully the installation of corners on P07 and P08 if you need to make connections
- ⚠ Do not put the power supply into water or disassemble it by yourself



- 5** Punch three  $\phi$  5mm holes into the ceiling to match the profile, and then punch the rubber plugs into the holes

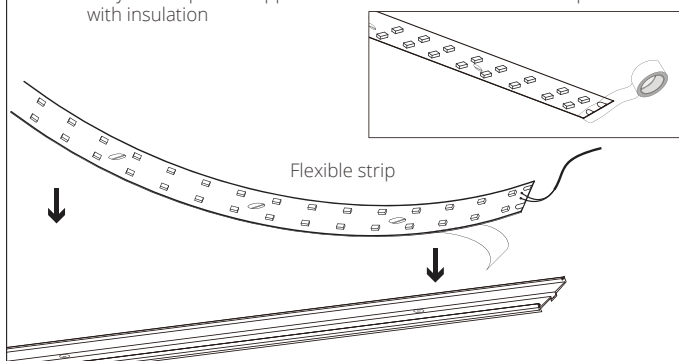


- 6** Make the wire go through from the holes of profile, and then fix profile on the ceiling with screws, and connect the wire to the power supply

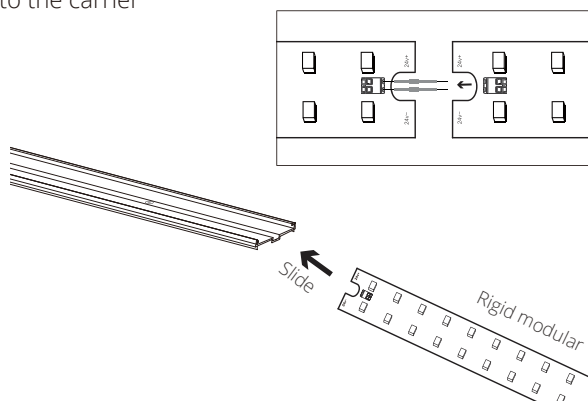


- 7 a:** Place insulation on both ends of the flexible strip and attach it to the carrier

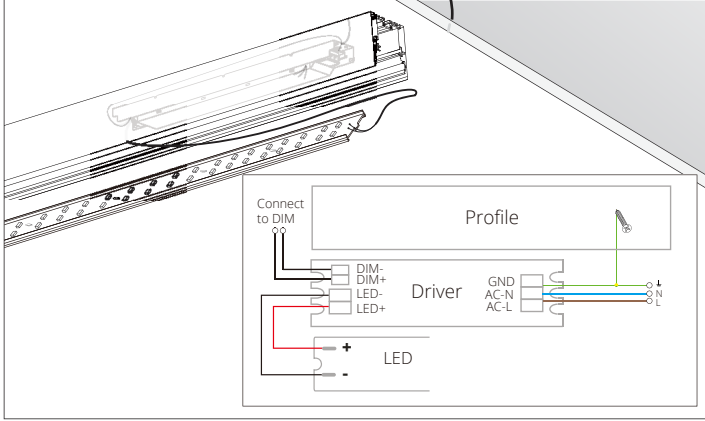
- ⚠ Do not put the strip into water or make the strip exposed to water
- ⚠ Only the strip with copper foil on the back is needed to be protected with insulation



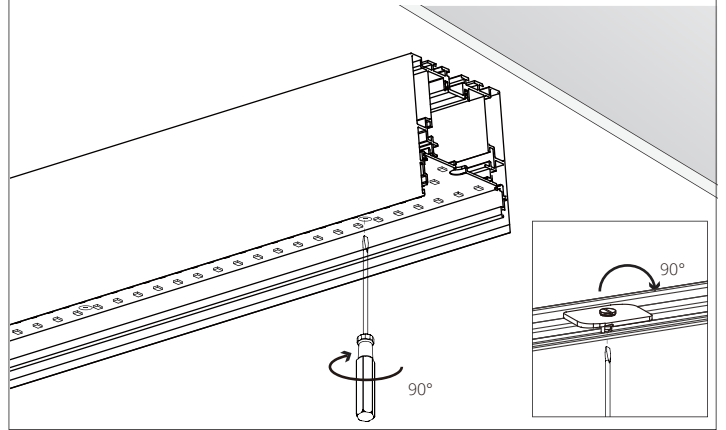
- b:** Connect the rigid modular to pins correctly (do not confuse the anode with cathode), and then slide the rigid modular into the carrier



**8** Connect the wire to the power supply (do not confuse the anode with the cathode)

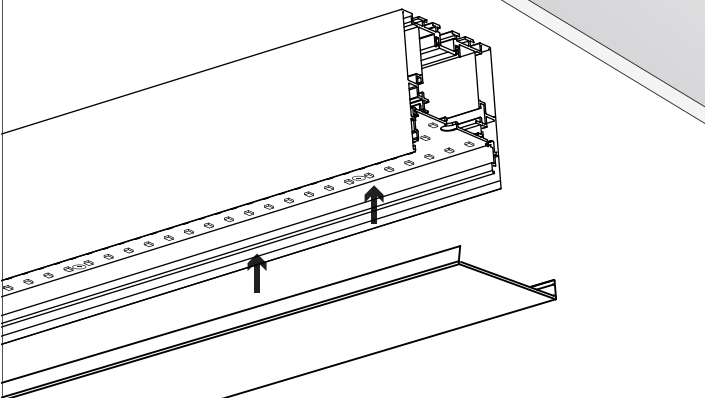


**9** Mount the carrier with strip on the profile

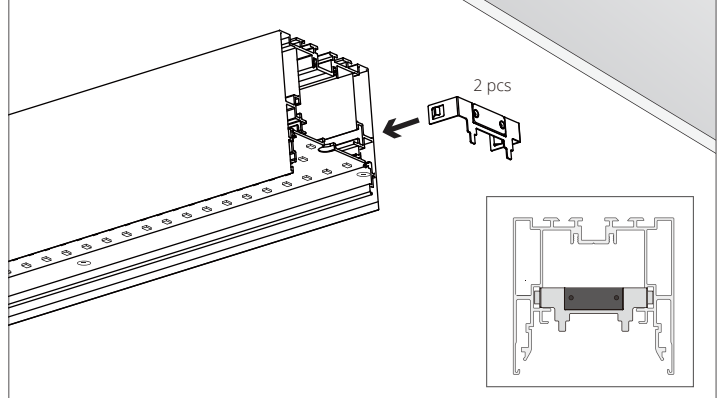


**10** Install the diffuser on profile

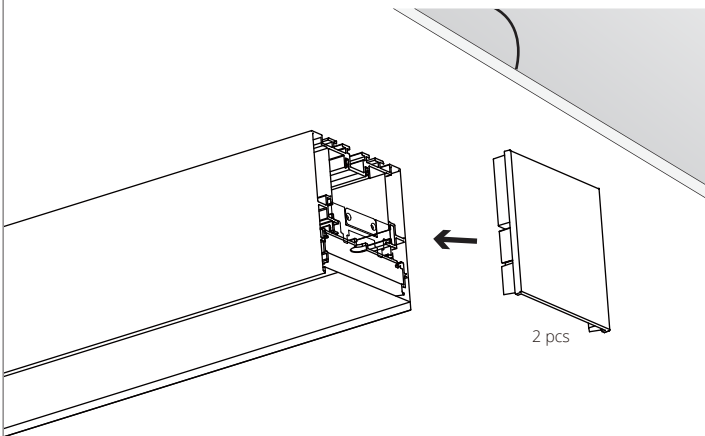
⚠️ Align the diffuser with profile



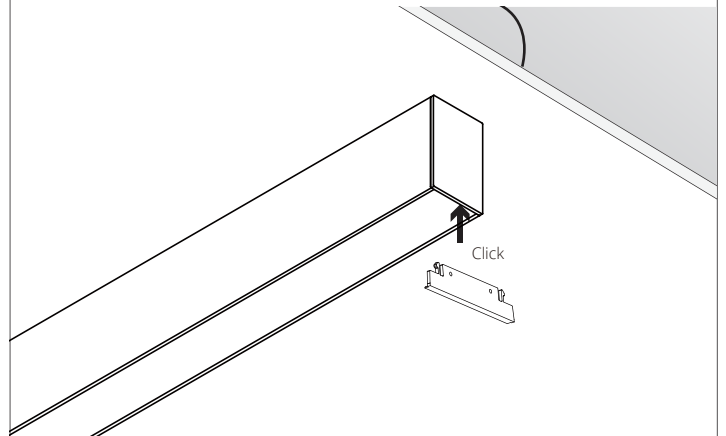
**11** Mount the safety baffles on the both ends of the profile



**12** Install the end cap

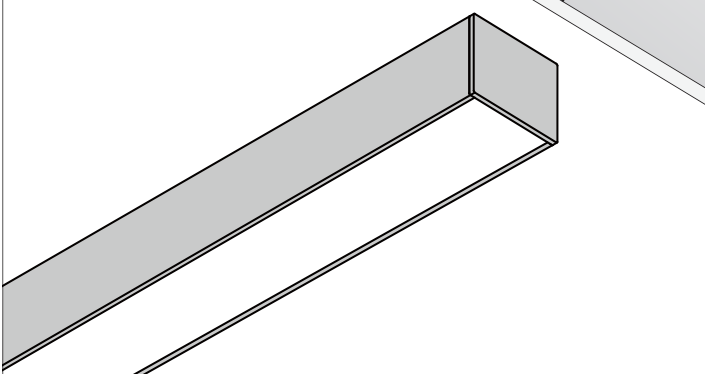


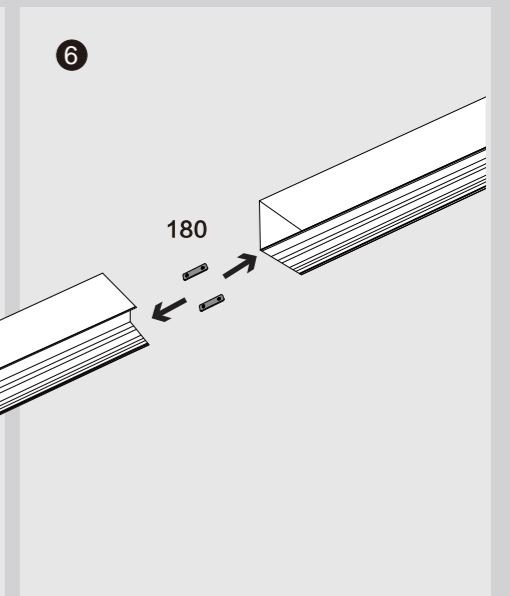
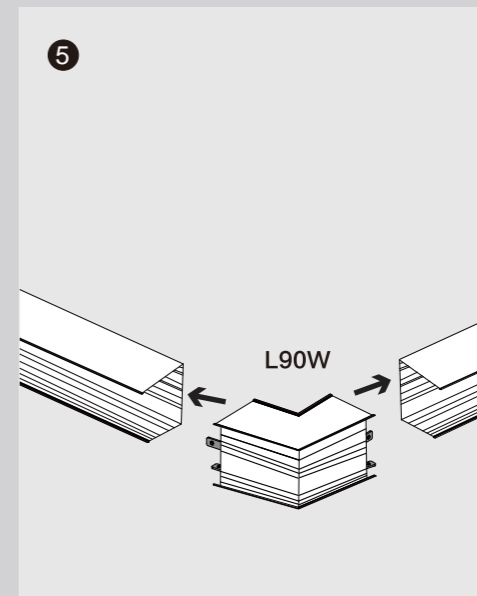
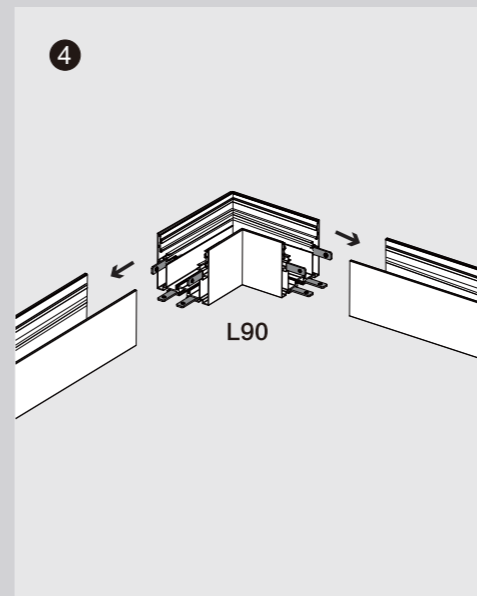
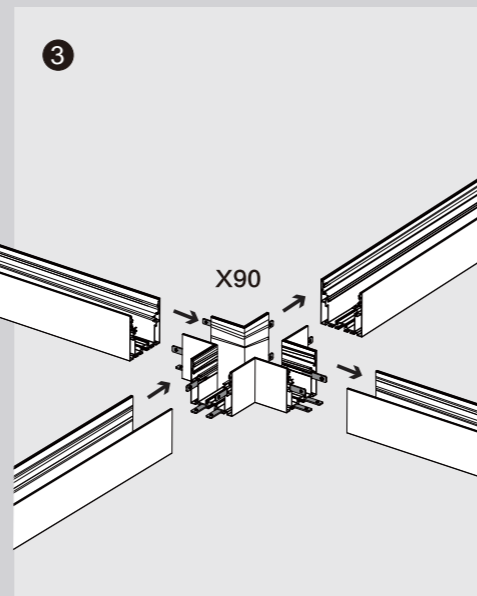
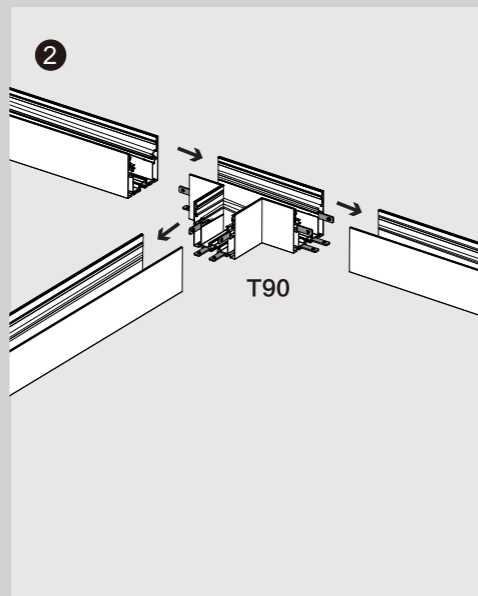
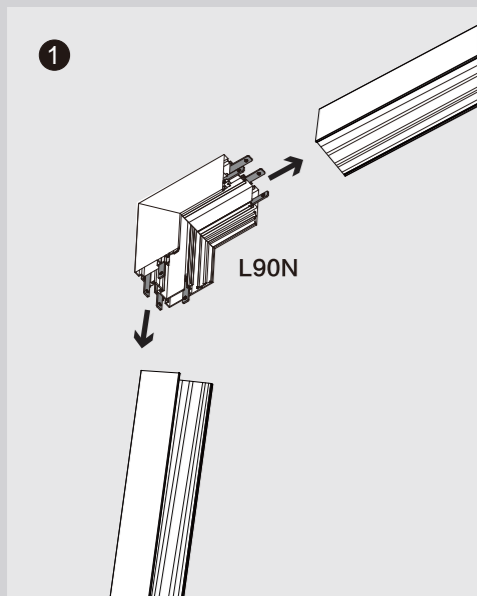
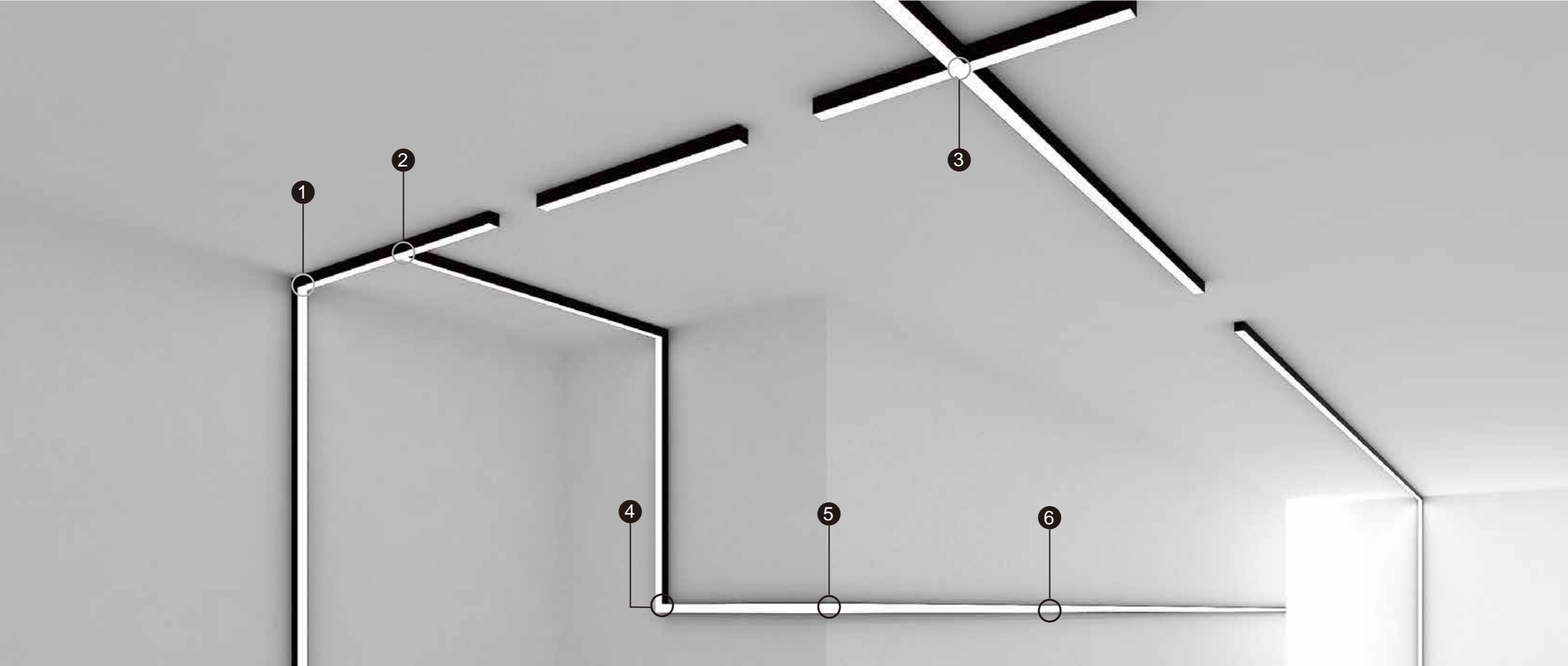
**13** Install the light leak-proof baffle



**14** Finished

⚠️ Please stop using if there are abnormalities like smoke or burnt flavor occur from the fixtures

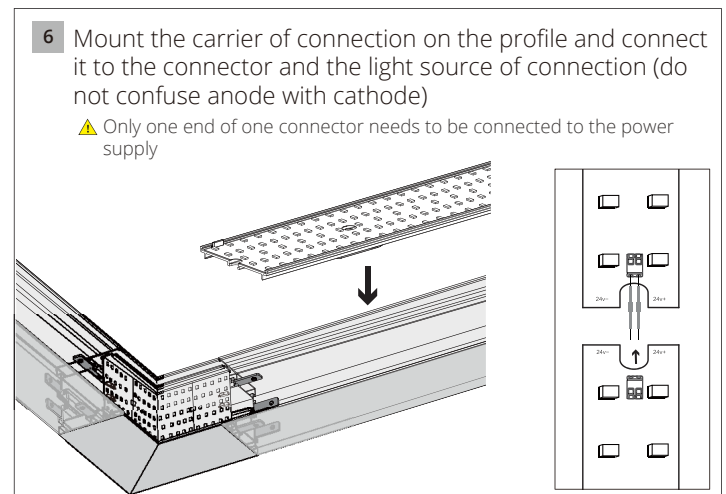
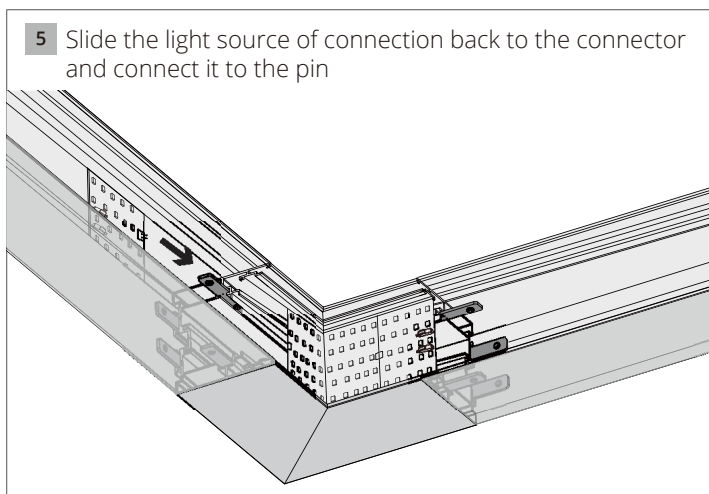
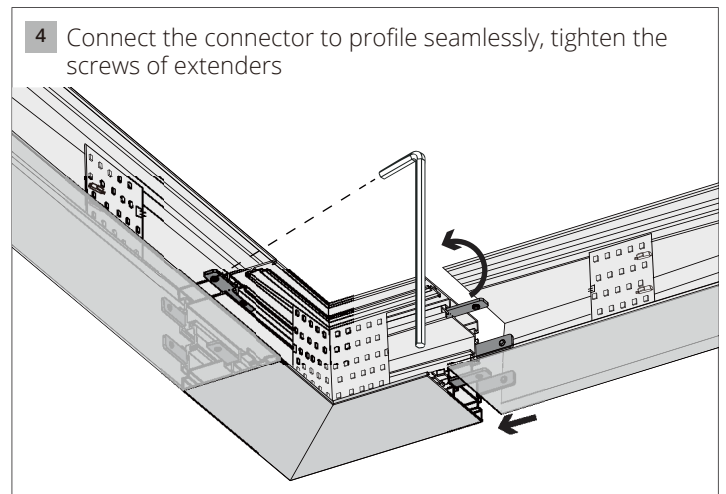
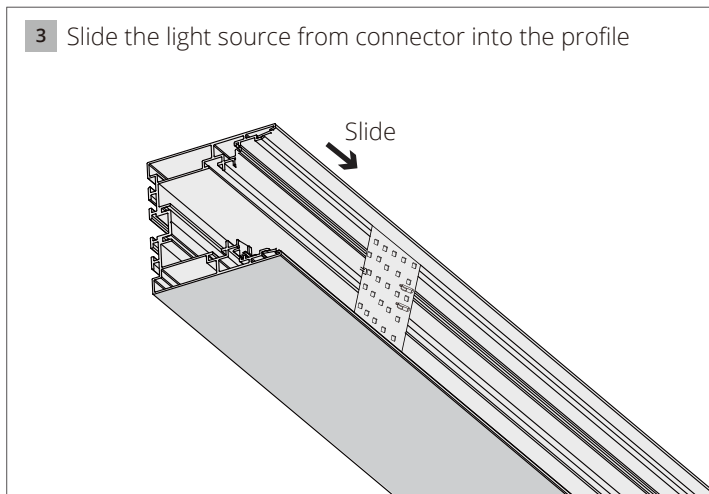
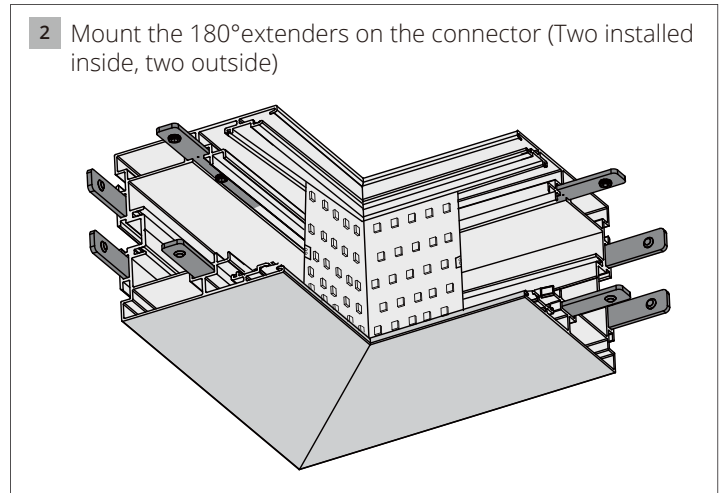
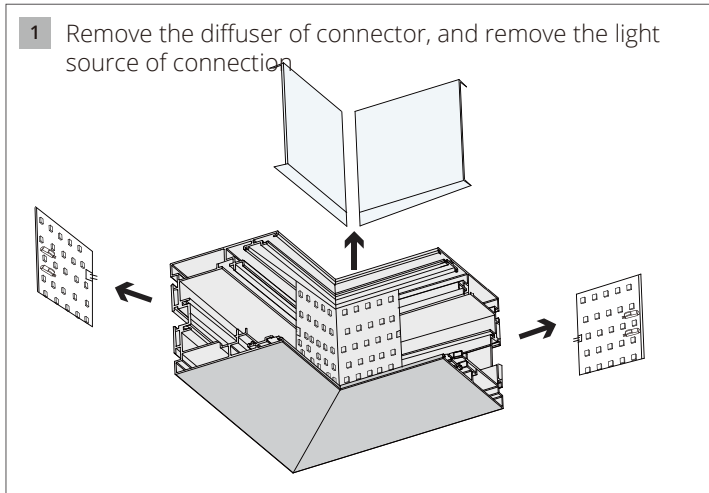




# INSTALLATION OF CONNECTORS

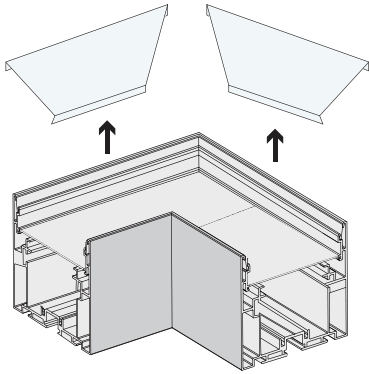
\* Please read the manual carefully before installing the connectors, which should be installed after the power supply is installed into the profile. The installations are as follows:

## 1、Connector with light source

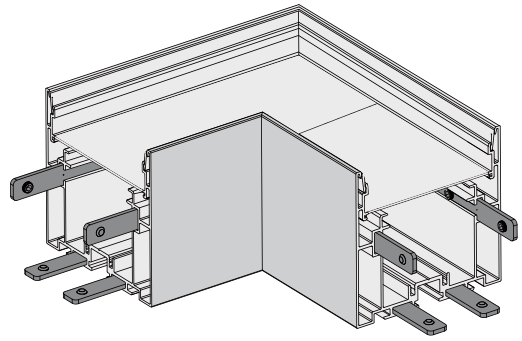


## 2. Connector without light source

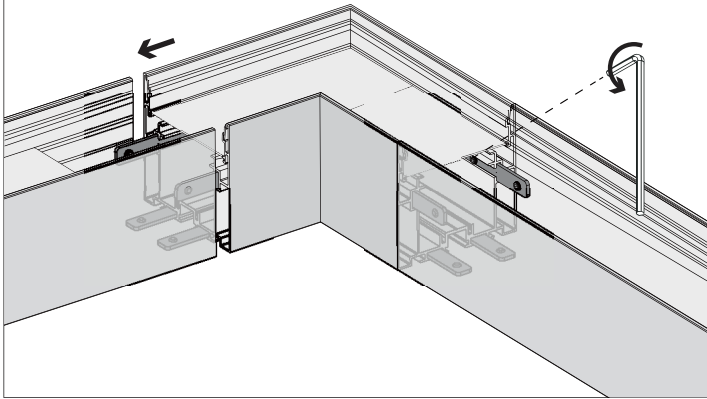
1 Remove the diffuser of connector



2 Mount the 180° extenders on the connector (Two installed inside, two outside)

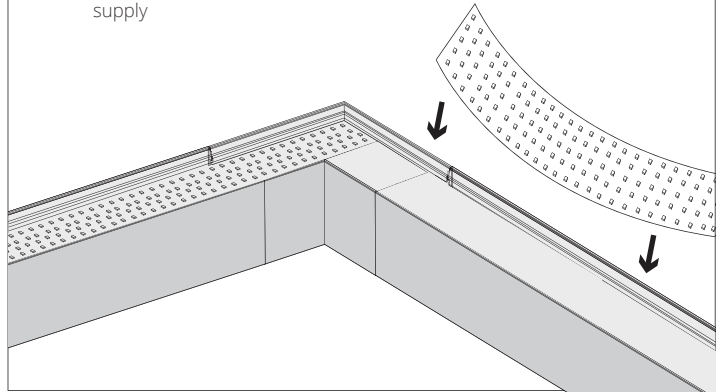


3 Connect the connector to the profile seamlessly, tighten the screws of extenders

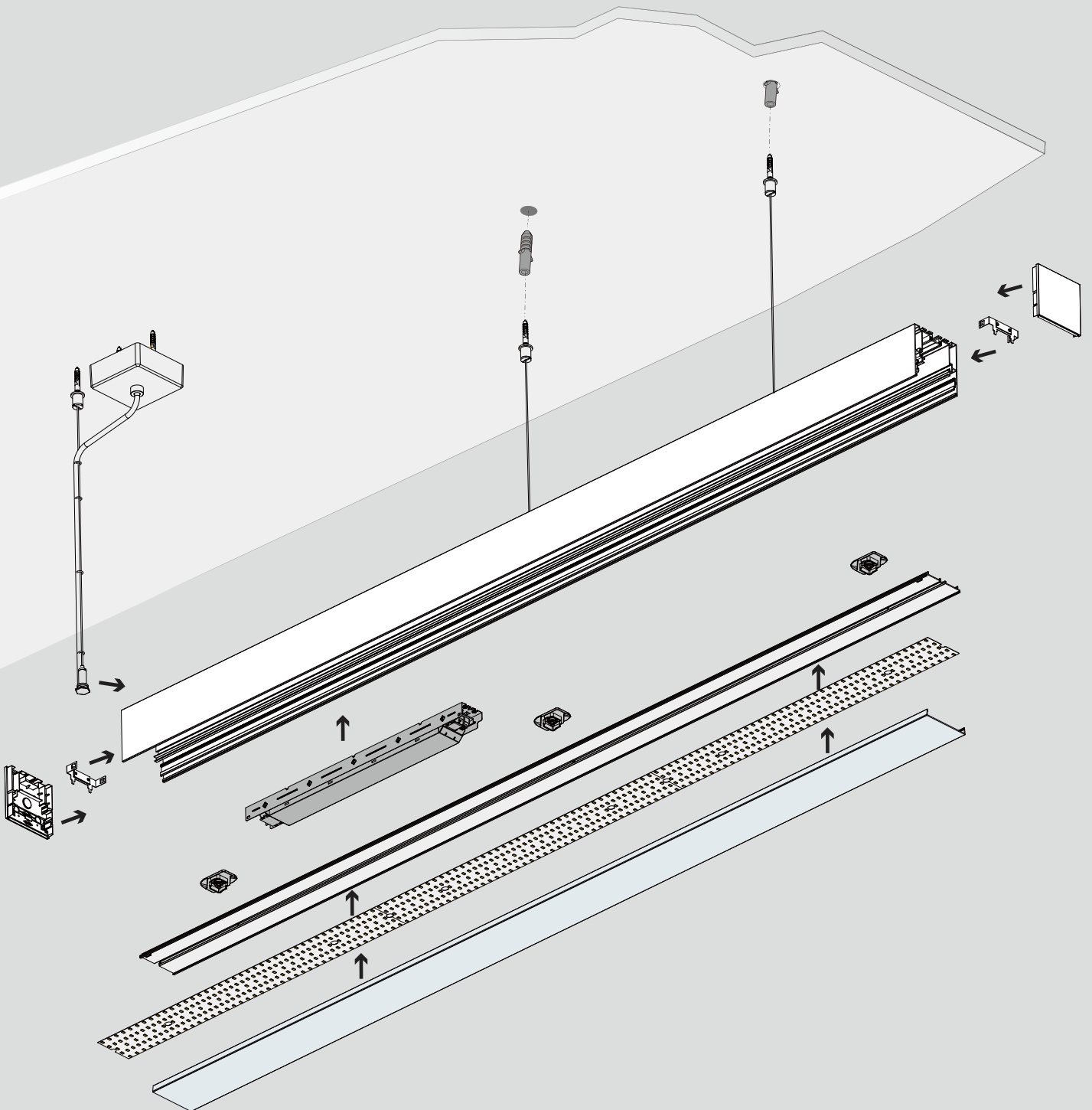


4 Mount the carrier on the profile, and attach the strip to the carrier and the connector

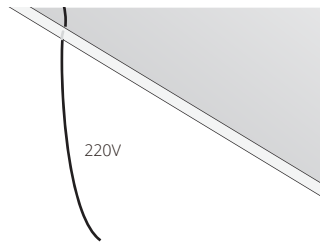
⚠ Only one end of one connector needs to be connected to the power supply



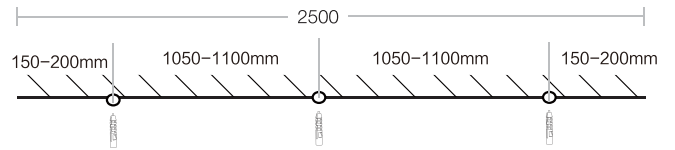
# Pendant 2.5 m



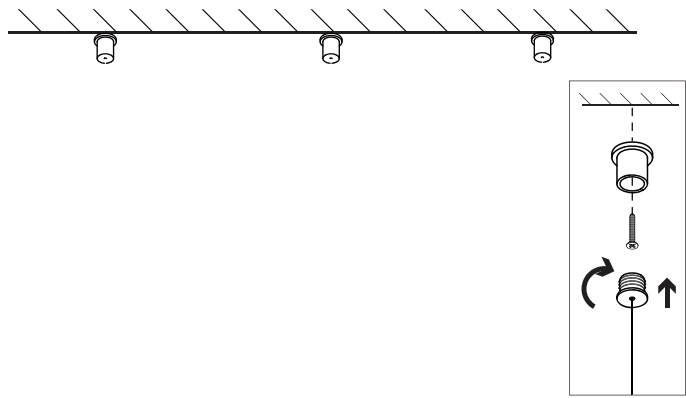
- 1** Make the 220V wire go through the ceiling  
 ⚠ Do not touch with wet hands or there is a risk of electric shock



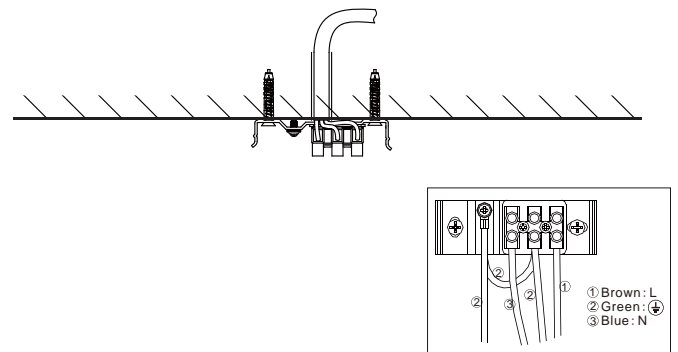
- 2** Punch three  $\phi$  5mm holes into the ceiling to match the profile, and then punch the rubber plugs into the holes



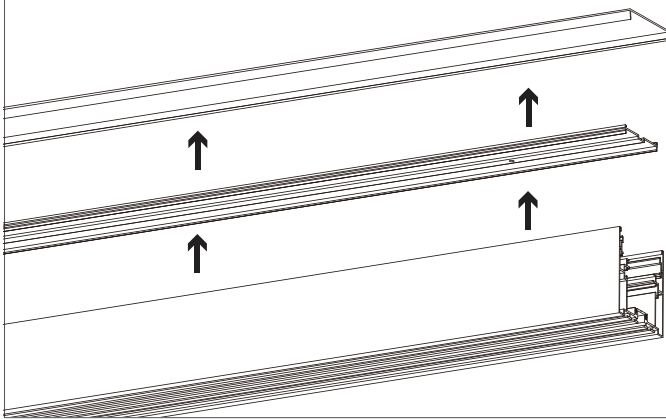
- 3** Fix one end of the wire on the punched hole of ceiling



- 4** Fix the junction box on the ceiling and connect it to the wire

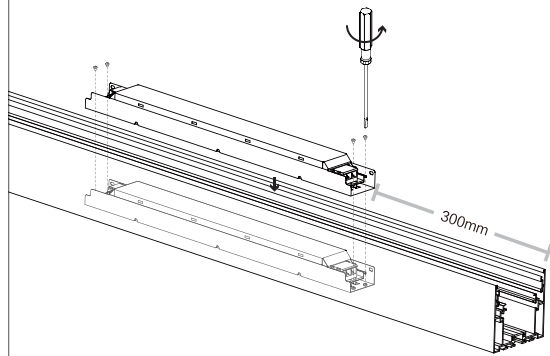


- 5** Remove the diffuser and carrier



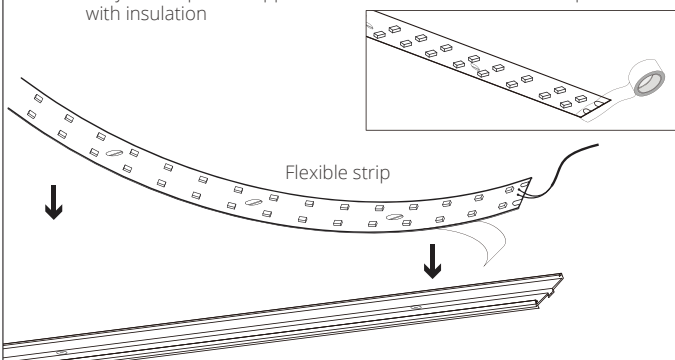
- 6** Mount the power supply on the profile

- ⚠ Please read carefully the installation of corners on P07 and P08 if you need to make connections
- ⚠ Do not put the power supply into water or disassemble it by yourself

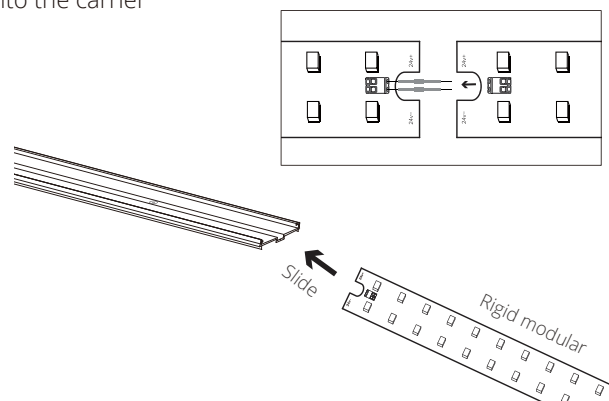


- 7 a:** Place insulation on both ends of the flexible strip and attach it to the carrier

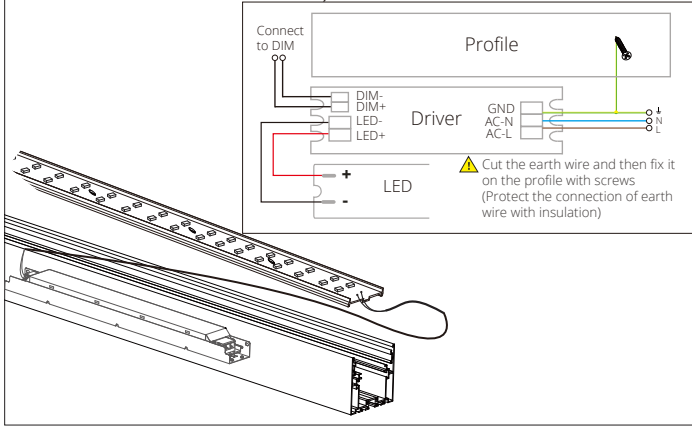
- ⚠ Do not put the strip into water or make the strip exposed to water
- ⚠ Only the strip with copper foil on the back is needed to be protected with insulation



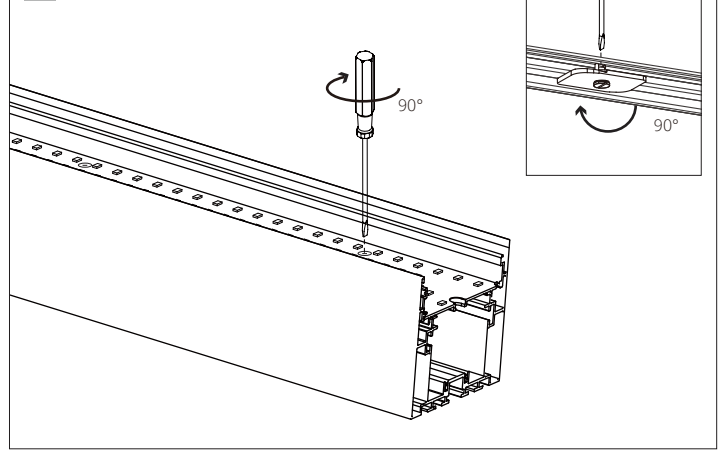
- b:** Connect the rigid modular to pins correctly (do not confuse the anode with cathode), and then slide the rigid modular into the carrier



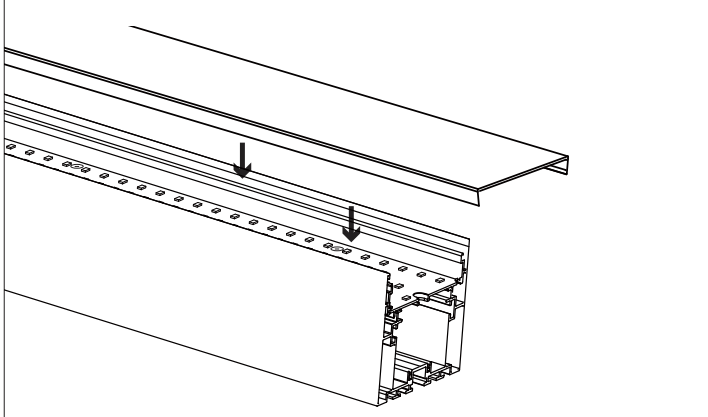
**8** Connect the wire to the power supply (do not confuse the anode with the cathode)



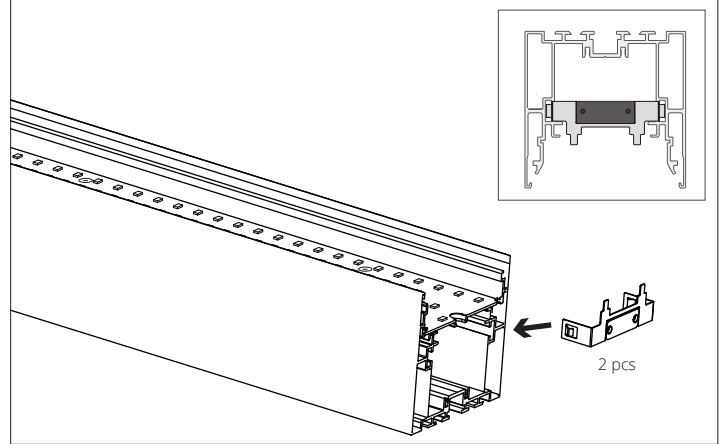
**9** Mount the carrier with strip on the profile



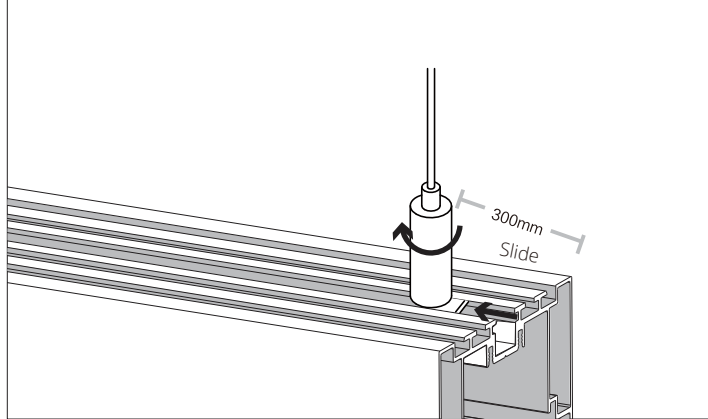
**10** Install the diffuser on profile  
 ▲ Align the diffuser with profile



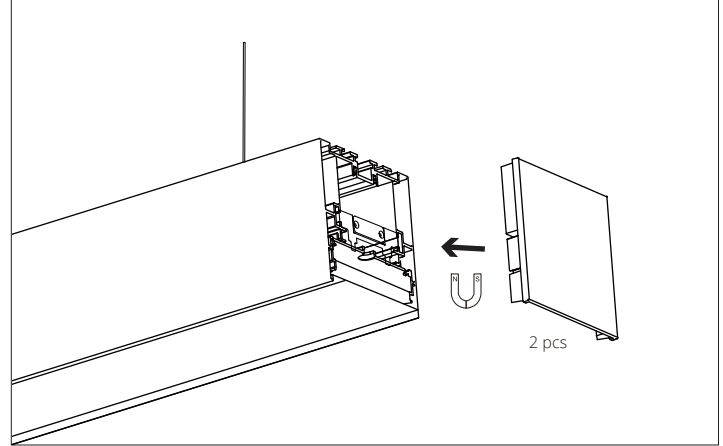
**11** Mount the safety baffles on the both ends of the profile



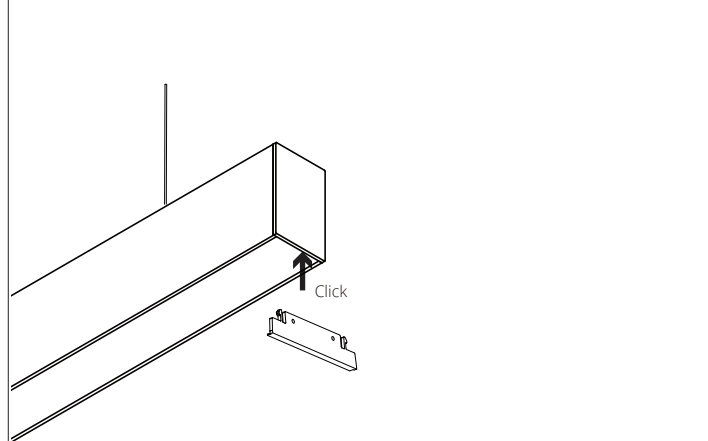
**12** Slide the other end of the pendant wire into the profile, and fix it on the profile



**13** Install the end cap

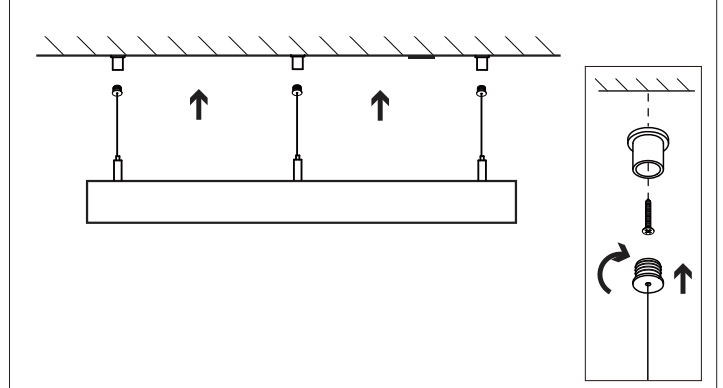


**14** Install the light leak-proof baffle

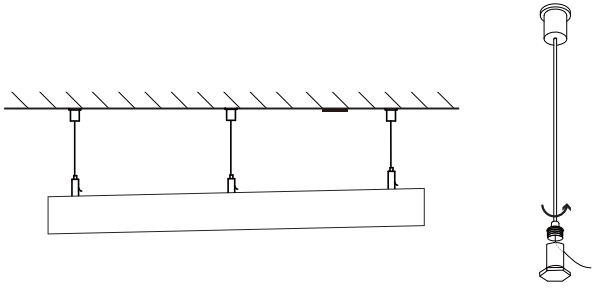


**15** Connect the pendant wire to the corresponding position of ceiling

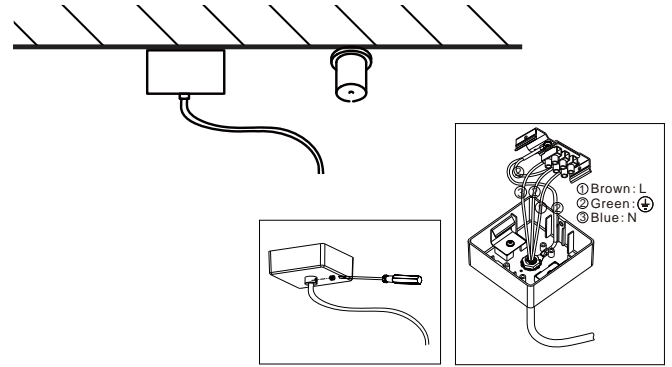
▲ Please make sure that the pendant wire has been installed firmly



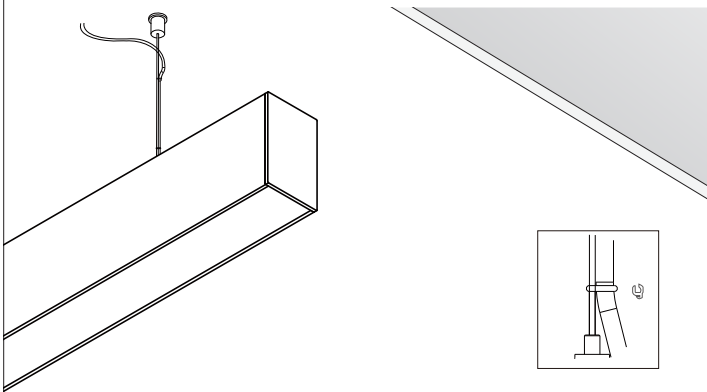
16 Adjust the height of the fixture



17 Put the power supply wire into the junction box and then connect the power supply wire to the junction wire, and close the junction box

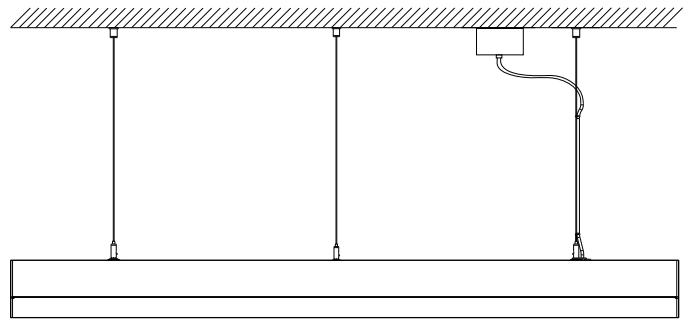


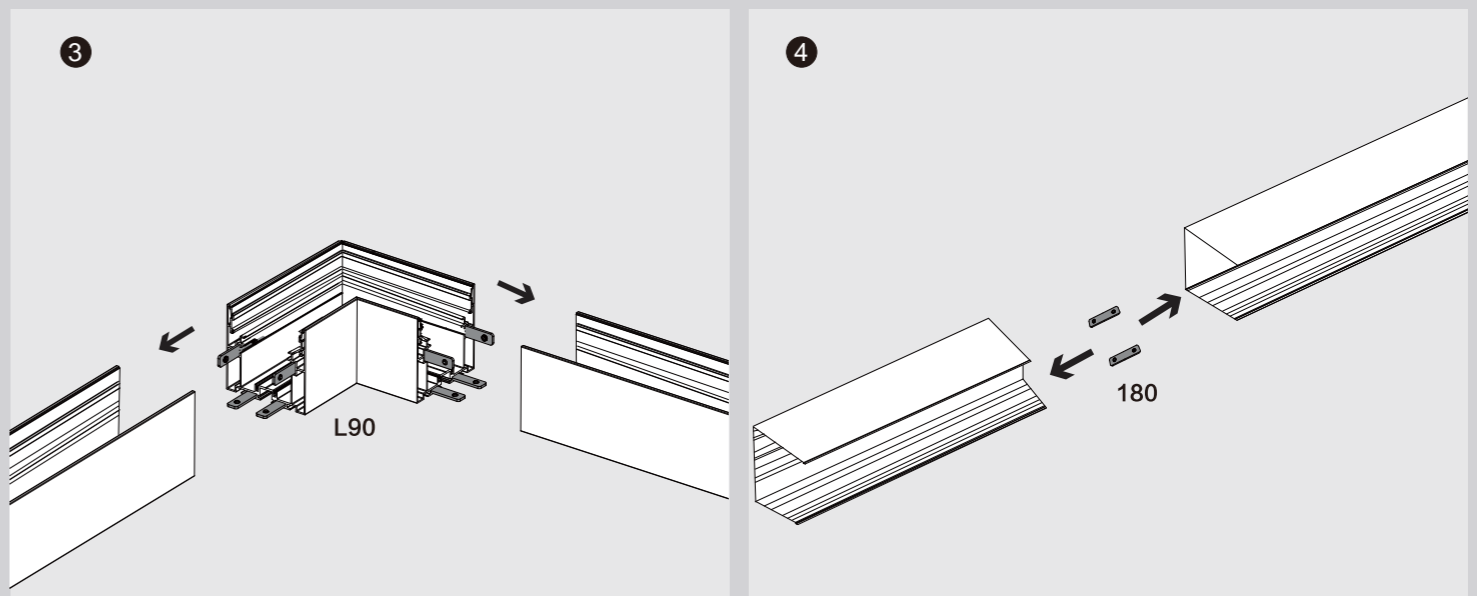
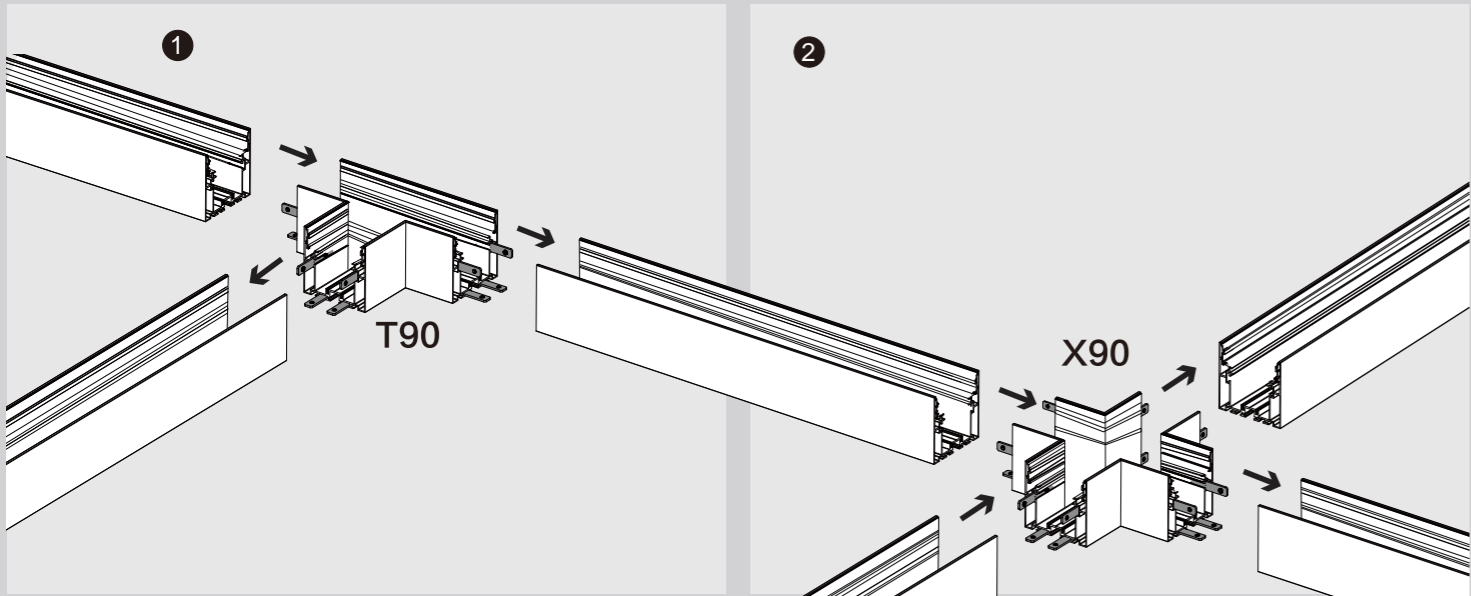
18 Connect the power supply wire to the pendant wire with clips



19 Finished

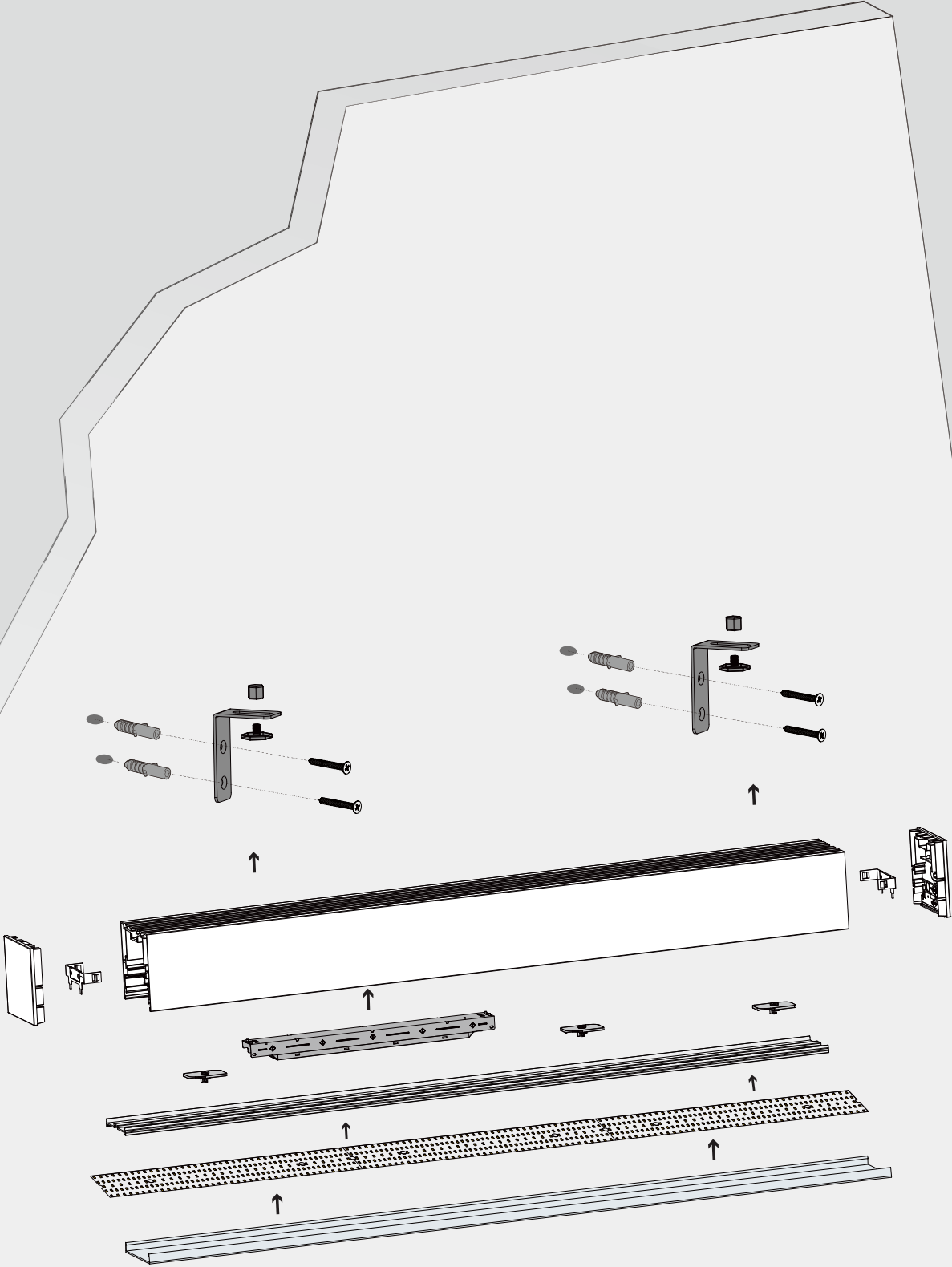
⚠ Please stop using if there are abnormalities like smoke or burnt flavor occur from the fixtures





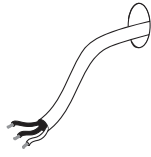
Please refer to P07 and P08 for the installation details of connectors

# Wall-mounted 2.5 m

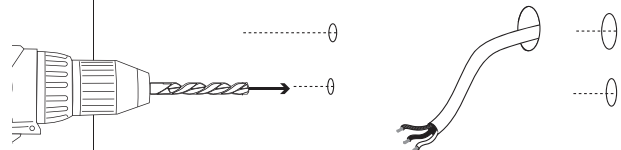


**1** Make the 220V wire go through the ceiling

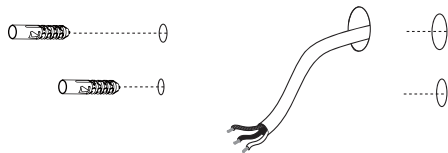
⚠ Do not touch with wet hands or there is a risk of electric shock



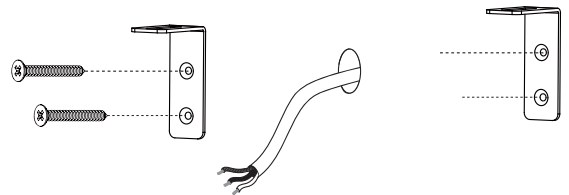
**2** Punch four  $\phi$  5mm holes into the wall



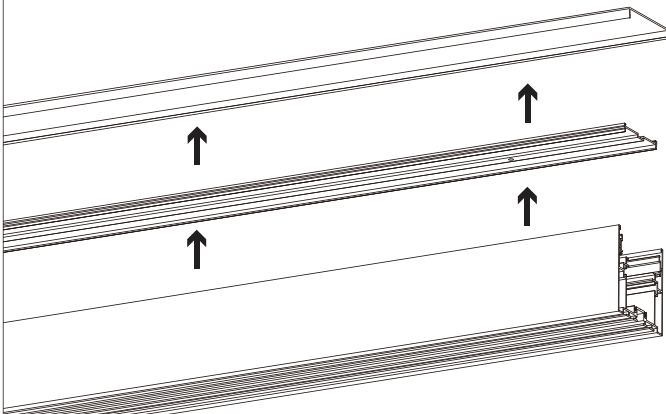
**3** Punch the rubber plugs into the holes



**4** Fix the wall-mounted accessories on the wall with screws

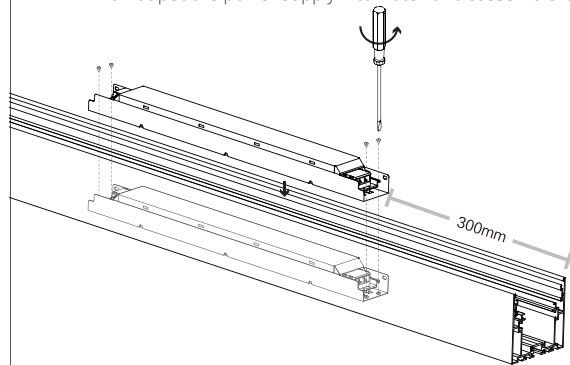


**5** Remove the diffuser and carrier



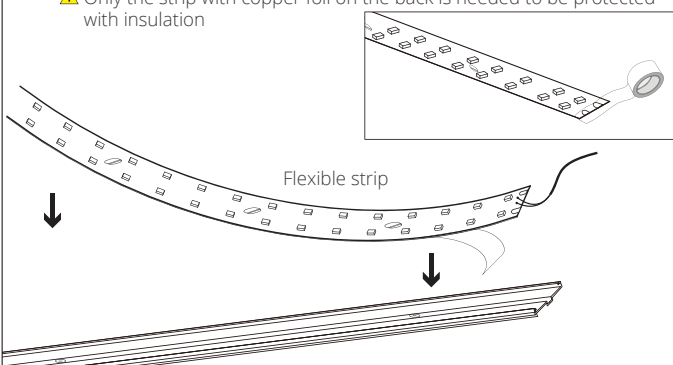
**6** Mount the power supply on the profile

- ⚠ Please read carefully the installation of corners on P07 and P08 if you need to make connections
- ⚠ Do not put the power supply into water or disassemble it by yourself

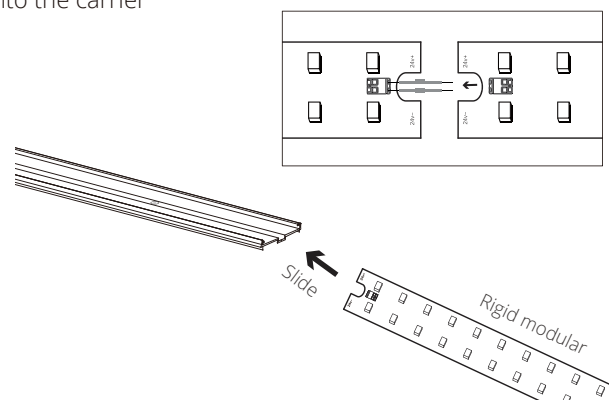


**7** a: Place insulation on both ends of the flexible strip and attach it to the carrier

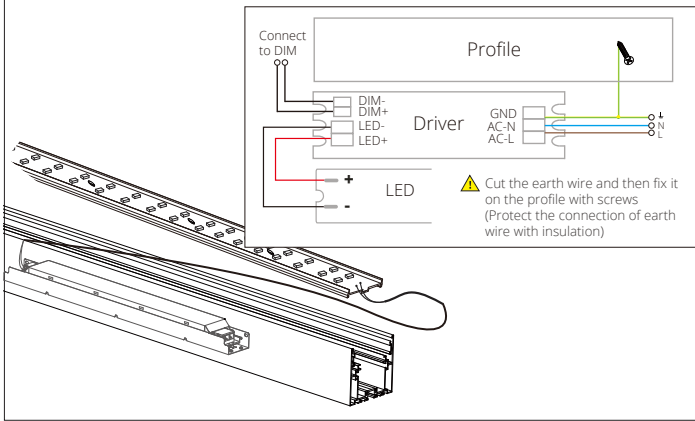
- ⚠ Do not put the strip into water or make the strip exposed to water
- ⚠ Only the strip with copper foil on the back is needed to be protected with insulation



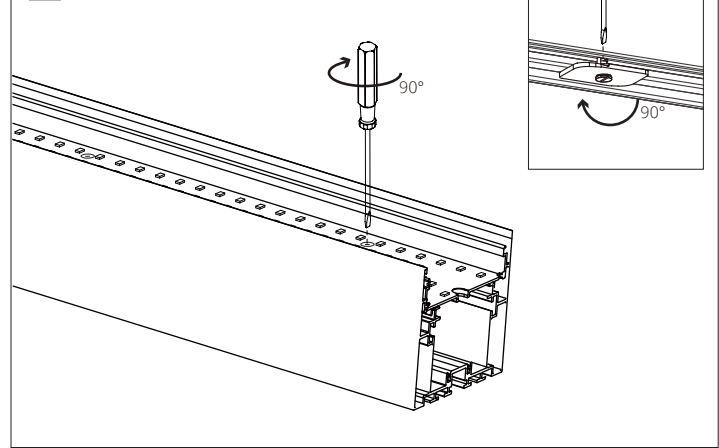
b: Connect the rigid modular to pins correctly (do not confuse the anode with cathode), and then slide the rigid modular into the carrier



**8** Connect the wire to the power supply (do not confuse the anode with the cathode)

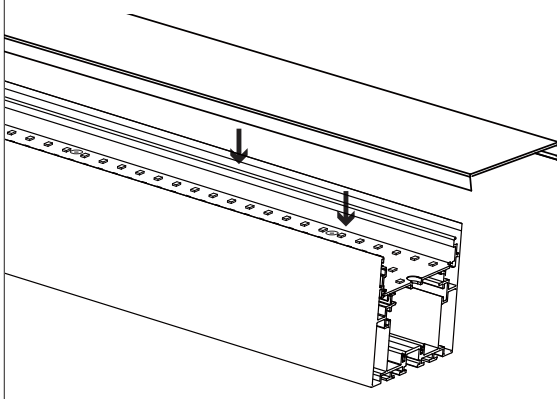


**9** Mount the carrier with strip on the profile

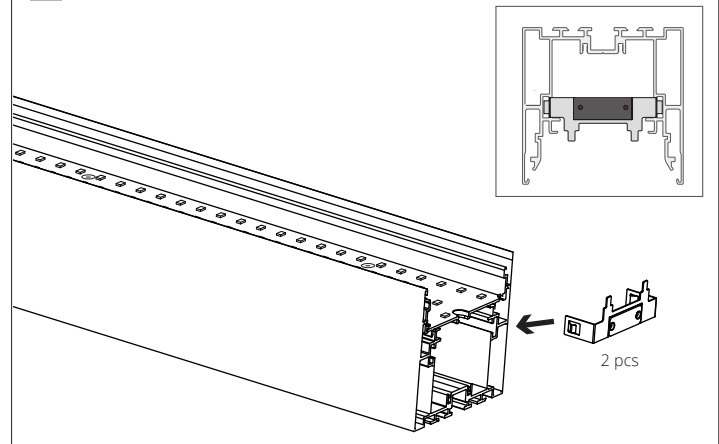


**10** Install the diffuser on profile

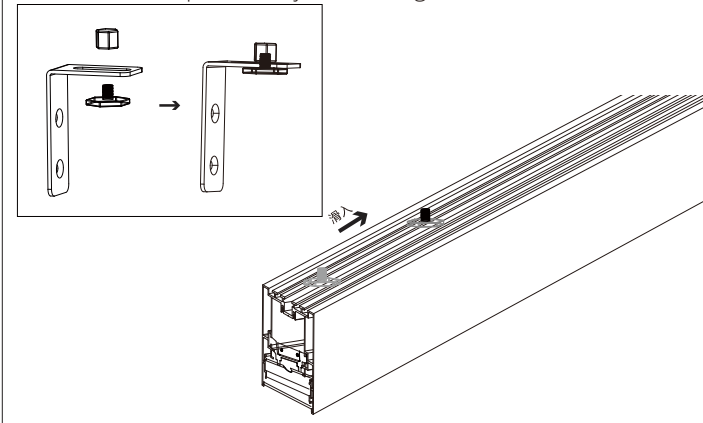
▲ Align the diffuser with profile



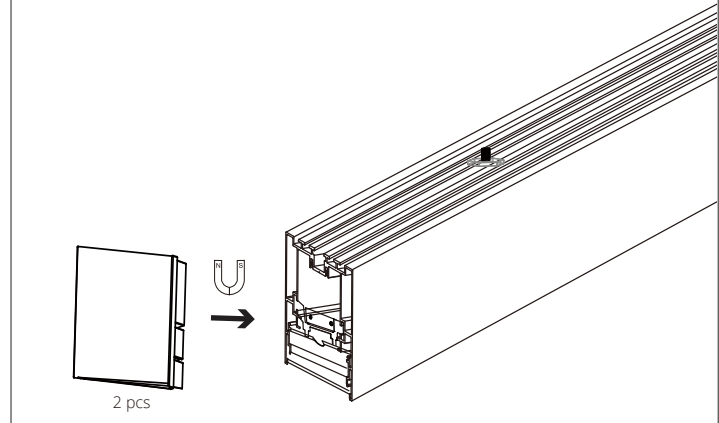
**11** Mount the safety baffles on the both ends of the profile



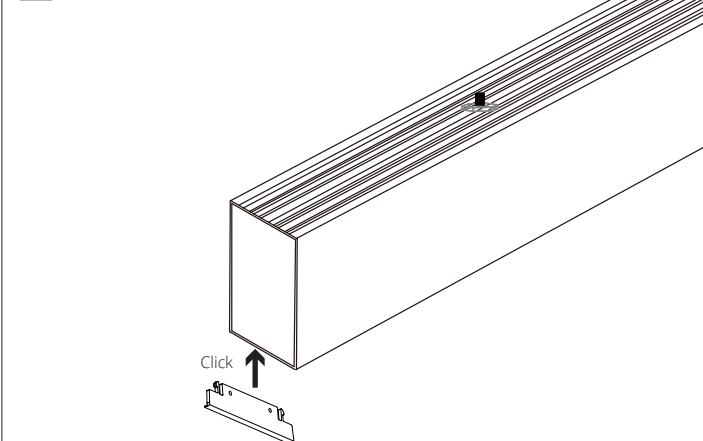
**12** Slide the wall-mounted accessories into the profile and then fix it on the profile (adjust the height of recess)



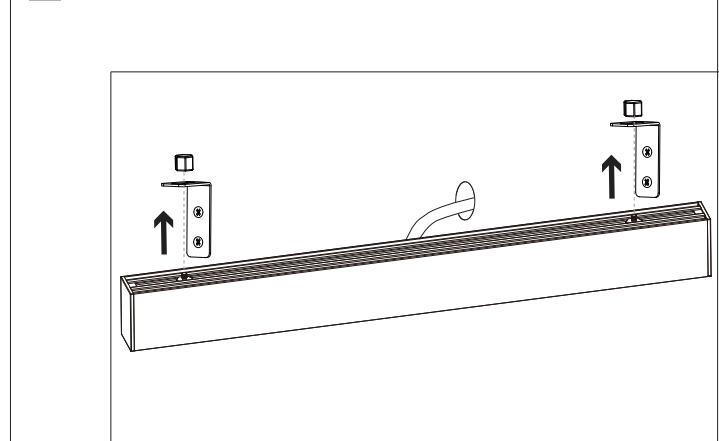
**13** Install the end cap



**14** Install the light leak-proof baffle

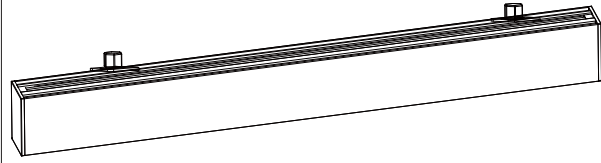


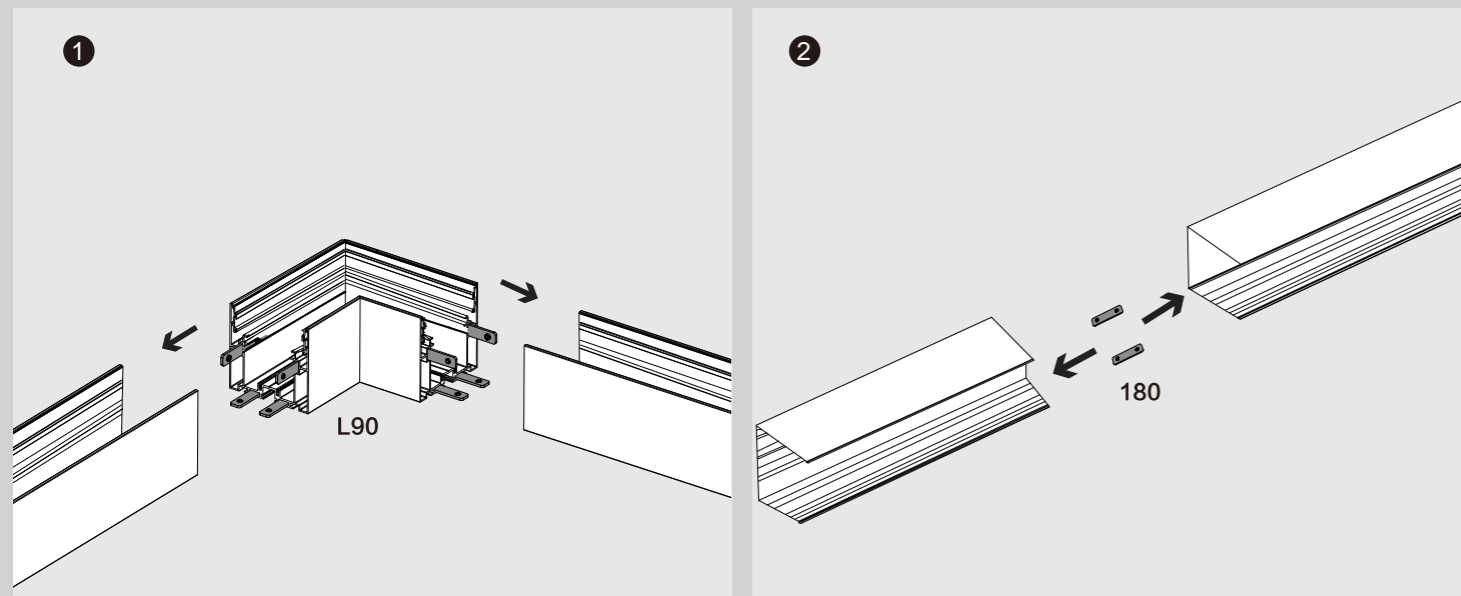
**15** Fix the profile on the wall with the wall-mounted screws



**16** Finished

⚠ Please stop using if there are abnormalities like smoke or burnt flavor occur from the fixtures

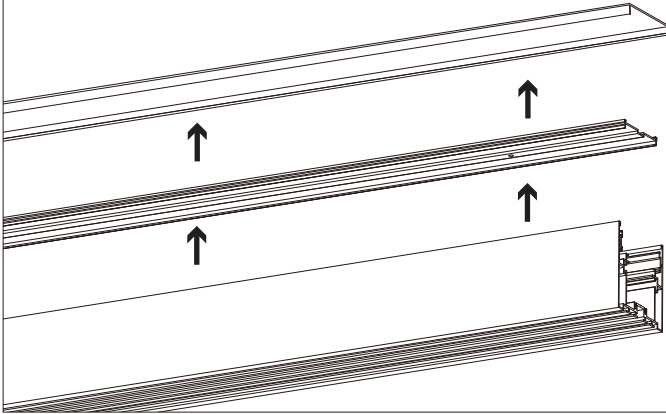




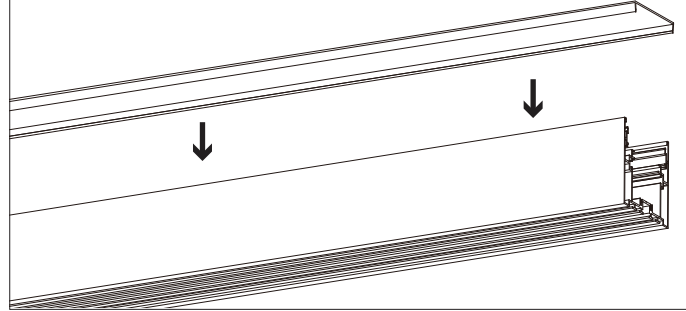
Please refer to P07 and P08 for the installation details of connectors

# Cutting

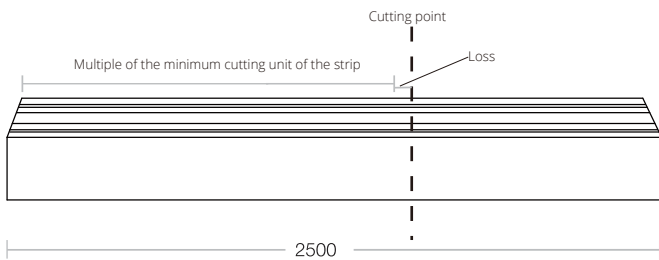
## 1 Remove the carrier and diffuser



## 2 Mount the diffuser on the profile

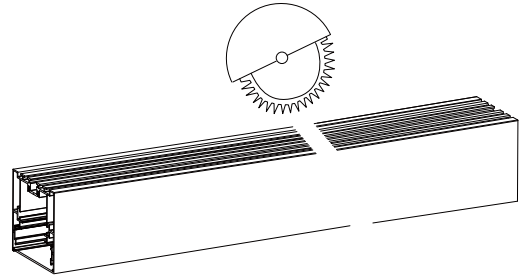


## 3 Mark the cutting length (The cutting length should be times the length of minimum cutting unit, and profile loss will occur during cutting by about the thickness of the blade), and please make reservation of profile length

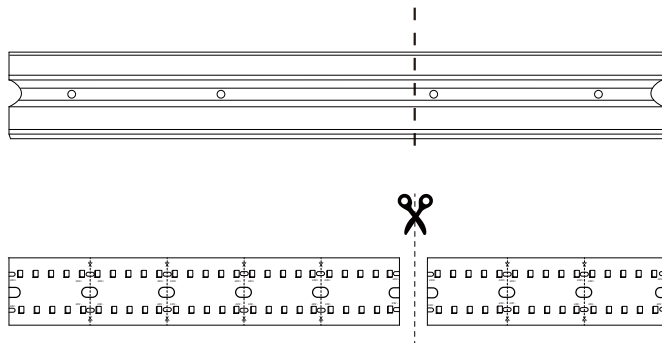


## 4 Cut the profile by cutting machine

- ▲ It's recommended to set the speed slowly because too high a speed may cause damage to the diffuser.
- ▲ Please remove the light source during cutting.
- ▲ Please make sure the profile is firmly fixed during cutting. The surface of fracture shall be ground and smooth without burr after cutting, and the metal chips in the track shall be completely removed.

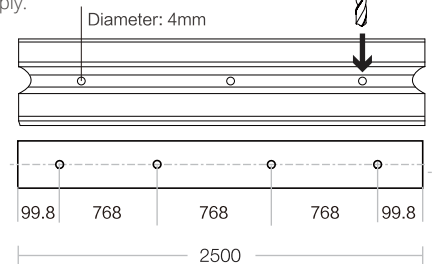


## 5 Cut the carrier and strip the same size as the profile and weld the standard wire one end of the strip

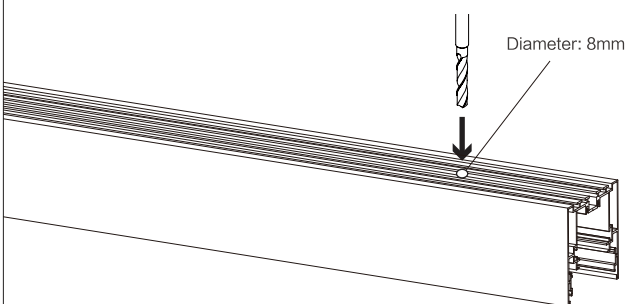


## 6 Punch holes into the carrier

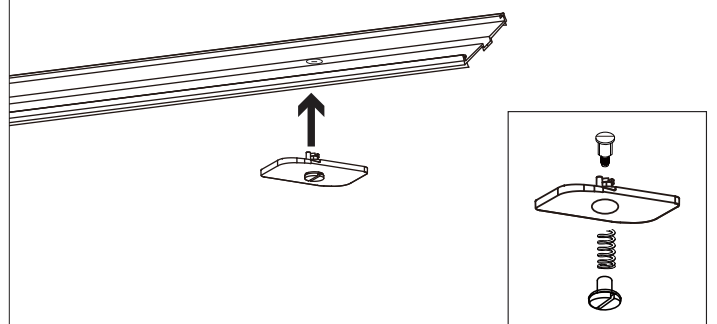
- ▲ Punch 2 holes for the length shorter than 1.2m; Punch 3 holes for 1.2m-2m long length; Punch 4 holes for 2m-2.5m long length.
- ▲ The best distance of the hole is 100mm away from the left and right edges and the hole need to be fixed with a carrier clip.
- ▲ The carrier holes should be aligned with the holes of the minimum unit of the strip.
- ▲ Avoid the power supply.



## 7 Punch holes into the profile for the wire to go out

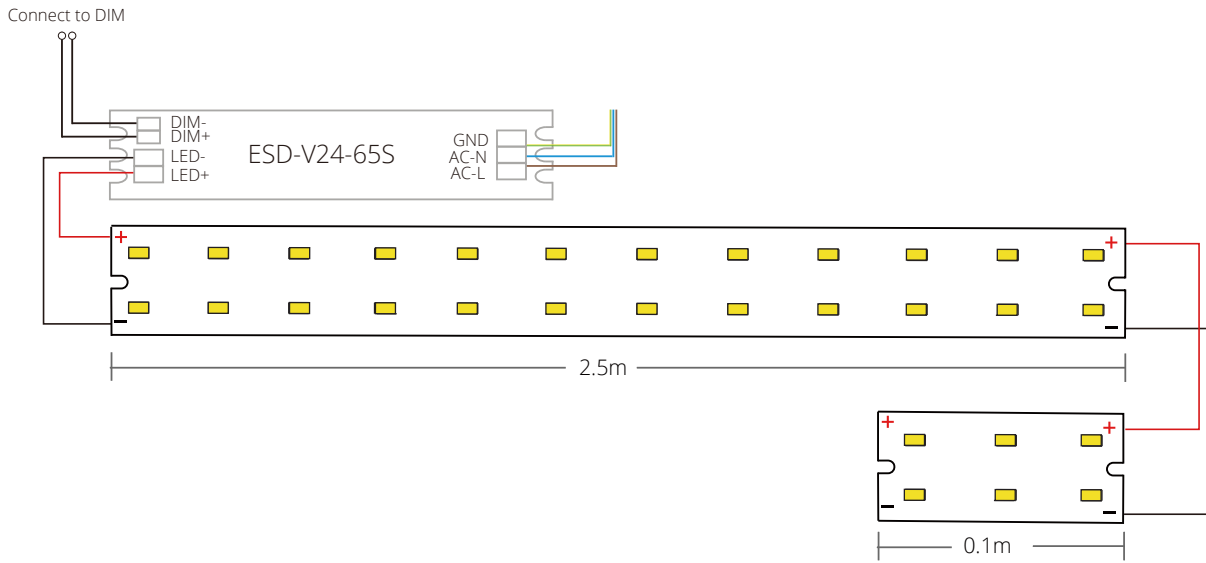


## 8 Mount the carrier clip on the carrier



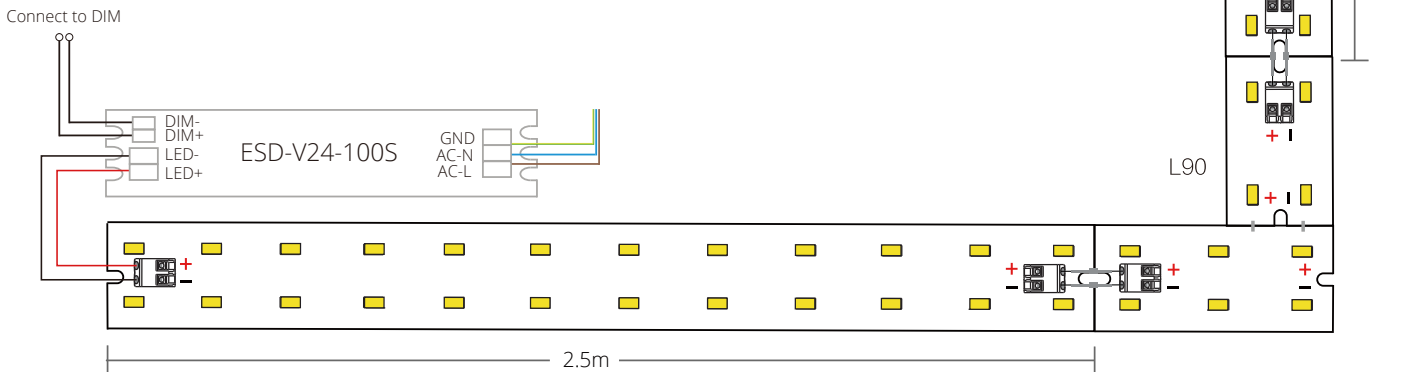
## 1、Connector without light source

$65/25=2.6$  means that a maximum of 2.6m long strip with 25w/m can be driven by 65w power supply. Therefore it means that this 65w power supply can support a 2.5m long strip and 0.1m long strip (which should be cut by the minimum cutting unit).



## 2、Connector with light source

$(100-3.7)/25=3.85$  means that a maximum of 3.85m long strip with 25w/m can be driven by 100w power supply. Please take the light source power of the connector into consideration during connection. Therefore it means this 100w power supply can support a 2.5m long strip, L90 connector plus 1.3m long strip (which should be cut by the minimum cutting unit).



# Applications

