



greenlux
cost reduction LED lighting

Venu 01 Series LED Track Spot Light



Specifications

Colour Range	2700 ~ 5000K
Power Consumption	45W / 70W
Lumens	5000 / 7100lm/W
Input Voltage	100V ~ 240V AC
Chipset	COB
Beam angle	15° / 26° / 44°
Power Factor	>0.9
Dimmer (option)	Triac / 0-10V / Dali
CRI	>80 or >90
Driver	Class II SAA

- Eco-friendly. No UV or IR rays. No mercury or any other hazardous substances
- Adjustable 350° in horizontal direction, 90° in vertical direction
- High quality COB light source
- Performs high efficiency and energy saving, Up to 80% energy saving compared to standard CFL
- Replaces traditional track lights
- IP44 for indoor use only
- 5 Years Warranty
- Applications include shopping centres, galleries, cafes, hotels, theatres, museums & display cases

Dimensions & Materials

Product Dimensions (mm)	Ø135*205*185 (L*W*H)
Weight	45W 1942g / 70W 1980g
Housing Materials	Aluminium + Clear Diffuser
Housing Colour	White / Black / Silver

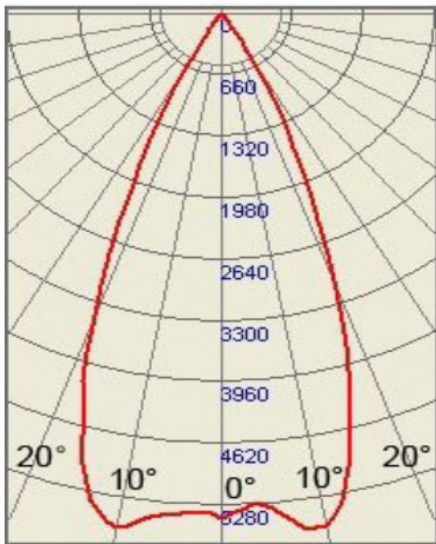
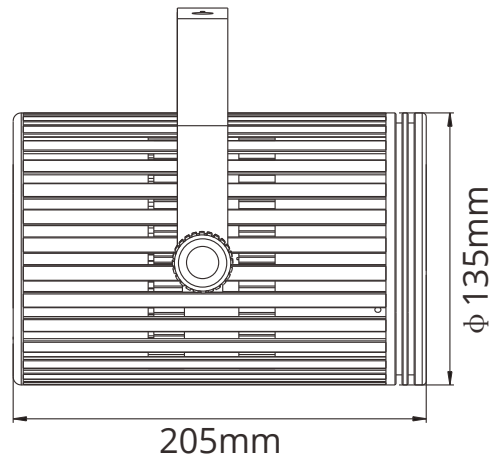
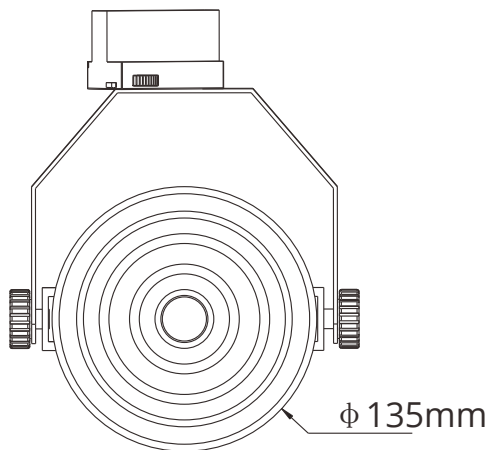




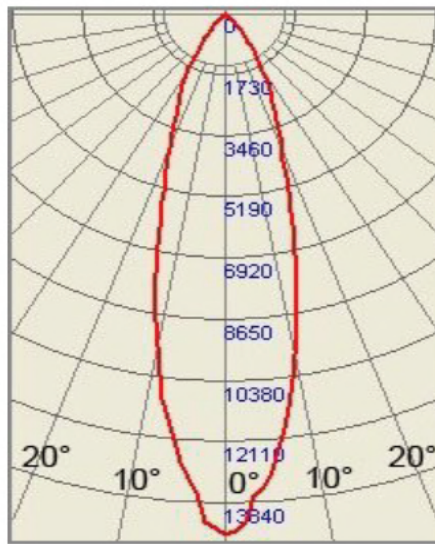
greenlux
cost reduction LED lighting

Venu 01 Series LED Track Spot Light

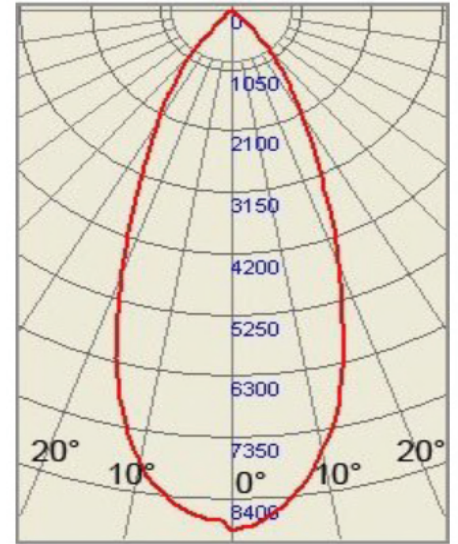
Dimensions & Photometrics



45W, 4000K, 44°



70W, 3000K, 26°



70W, 3000K, 44°

Model#	Dimensions (mm)	IP Rating	Beam Angle	CCT (k)	Lumens	Wattage	LED	Dimmer (option)
GSVEN-45W-01	Ø135*205*185	IP44	15°/26°/44°	3000 4000	5000	45W	COB	Triac Dali
GSVEN-70W-01	Ø135*205*185	IP44	15°/26°/44°	5000	7100	70W	COB	0-10V