



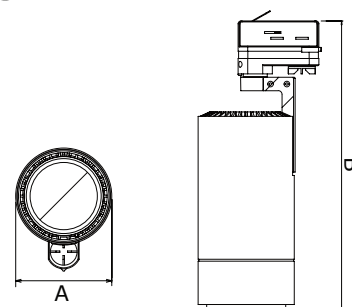
**greenlux**  
cost reduction LED lighting

# Vestige Series 03 LED Track Light



## GUVES-35W-03

- Eco-friendly. No UV or IR rays. No mercury or any other hazardous substances
- High quality COB light source
- Performs high efficiency and energy saving, Up to 80% energy saving compared to standard CFL
- Replaces traditional track lights
- IP20 for indoor use only
- 3 Years Warranty
- Applications include shopping centres, galleries, cafes, hotels, theatres, museums & display cases

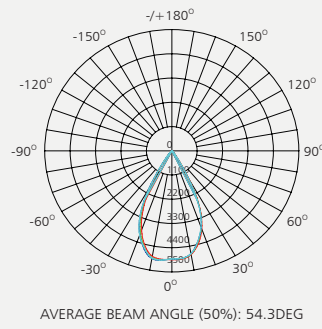


## Specifications

<b>Colour Range</b>	2700 ~ 5000K
<b>Lumens</b>	80 ~ 85lm/W
<b>Power Consumption</b>	35W
<b>Input Voltage</b>	100V/240V AC
<b>Chipset</b>	COB
<b>Beam angle</b>	20° ~ 60°

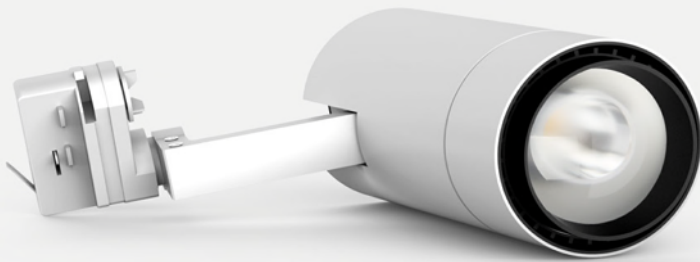
<b>Power Factor</b>	>0.9
<b>Dimmable</b>	Triac Dimmer (option)
<b>CRI</b>	>80
<b>IP</b>	20
<b>Adapter</b>	2/3/4 wires (option)
<b>Product Dimensions (mm)</b>	Ø100*301
<b>Housing Materials</b>	Aluminum Die-casting
<b>Housing Colour</b>	White or Black





## ADJUSTABLE LIGHTING

320° in horizontal direction and 0-90° in vertical direction



## SMOOTH BEAM ANGLE

changing with extremely uniform light, no dark spot or shadow

## FLEXIBLE BEAM ANGLE

One track light with flexible beam angle varies from 10° to 60°, creating a diversified and dramatic atmosphere for targeted objects in different accent lighting situations





## TRACK LIGHT

plays a leading role in adopting a manual zoom stretch head

