



**greenlux**  
cost reduction LED lighting

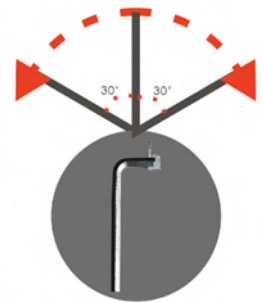
## Inground Series 01 - Adjustable LED Inground Light

Available in 3\*2W & 4\*1.5W  
80% lumen maintenance at 50,000 hours

- No UV or IR rays. No Mercury
- High quality OSRAM LED Chipset
- High Lumen Output
- High Quality Die-Casting Grey Powder Coated Aluminum Alloy Housing, Stainless steel SUS 316L#
- Optical Reflector Efficiency  $\geq 90\%$
- Constant Current Output Driver
- IP67 Rated
- 5 Years Warranty
- Applications include swimming pools, gardens, verandahs walkways, hotels, shopping centres & household

### Specifications

<b>Colour Range</b>	3000 ~ 5000K
<b>Luminous Flux</b>	3*2W 224lm (WW) 303lm (CW) 4*1.5W 102lm
<b>Input Voltage</b>	24V DC or 120V/240V
<b>Operating Temp.</b>	-20°C to 40°C
<b>Beam Angle</b>	15°~ 45°
<b>Glass Pressure Capacity</b>	Full Area=2229kgs
<b>Glass</b>	Step Tempered Glass T=8mm
<b>Chipset</b>	OSRAM LED
<b>Cable Gland</b>	IP-68 PG-9 PVC
<b>Gasket</b>	Molding Shaped Seal
<b>Power Cable</b>	H05RN-F 3X1.0mm L=0.5m (High Voltage)
<b>Mounting Sleeve</b>	PVC 072#



### Dimensions & Materials

<b>Product Dimensions (mm)</b>	Ø150*120
<b>Mounting Sleeve (mm)</b>	Ø142.5*195
<b>Housing Material</b>	12# Die-Casting Powder Coated Aluminum Alloy + Stainless steel SUS 316L#
<b>Housing Colour</b>	Grey
<b>Certifications</b>	IP67, CE, RoHS, SAA, RCM
<b>Environment</b>	Indoor & Outdoor Location
<b>Warranty</b>	5 years



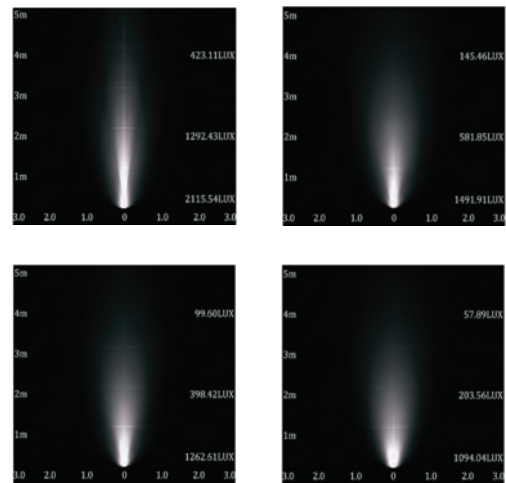
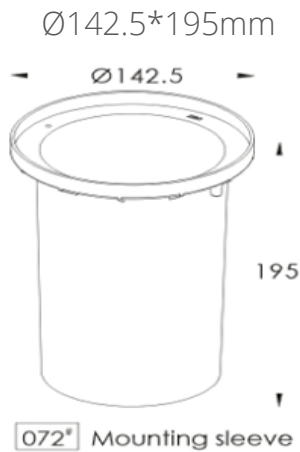
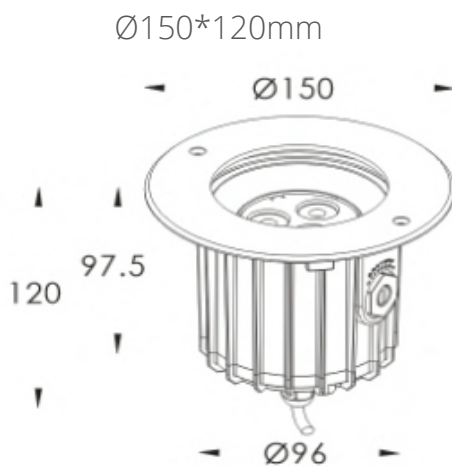


**greenlux**  
cost reduction LED lighting

## Inground Series 01 - Adjustable LED Inground Light

Available in 3\*2W & 4\*1.5W  
80% lumen maintenance at 50,000 hours

### Dimensions



### Model

Model#	Dimension (mm)	Mounting Sleeve(mm)	Beam Angle	CCT	Lumens	Wattage	LED
GKING-6W-01	Ø150*120	Ø142.5*195	15°~45°	3000-5000k	303lm	3*2W	OSRAM
GDING-6W-01	Ø150*120	Ø142.5*195	15°~45°	3000-5000k	102lm	4*1.5W	OSRAM