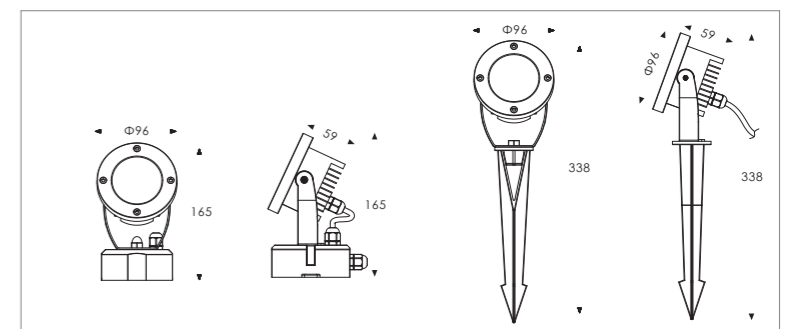
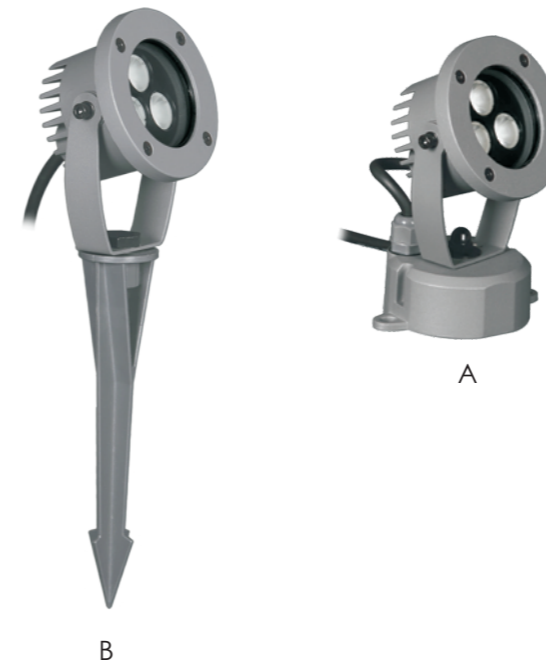
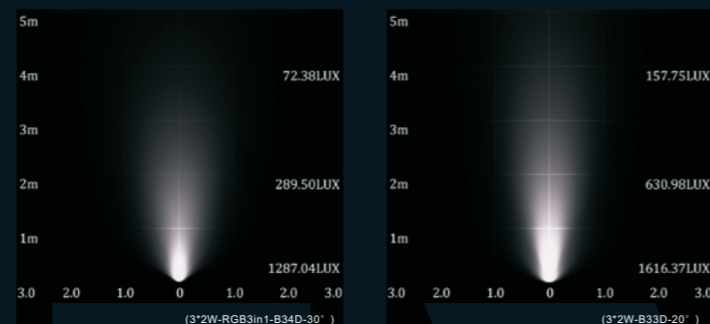


# Landscape 02 LED Spot Flood Light RGB



## Specifications

Housing	12" Die-casting dark grey powder coated aluminum . T=60-80µm Adhesion of ISO class 1/ASTM class 4B
Glass	Tempered glass, T=4mm
Lens	All-in-one optical lens, efficiency≥85%
Cable gland	IP-68 PG-9 PVC
LED	IQ type power LED for RGB, single color is OSRAM
PCB	Excellent heat conductivity aluminum, coefficient of heat Conductivity≥2.0w/mk
Driver	Constant current output Single color LED=1-circuit output RGB 3in1 LED =3-circuit output
Operating temperature	-20℃~ 40℃
Power cable	H05RN-F 2X1.0mm <sup>2</sup> L=2m (low voltage) H05RN-F 3X1.0mm <sup>2</sup> L=2m (high voltage) H05RN-F 5X0.5mm <sup>2</sup> L=2m (for RGB)
Spike	PVC
Mounting base	Powder coated die-casting aluminum



Item No.	Light source	Lens	The manufacturer selected lens degree (β/12)	Input voltage (v)	Typical operating current (mA)	Typical consumption (w)	Typical luminance (lm)	IK rate
GKLAN-6W-A-02	3×2W	B33D	20	12VDC 120/240	12V=490 120V=102 240V=56	12V=6 120V=7 240V=7	Cool white=480 Warm white=376	07
GKLAN-6W-A-02	3×2W RGB 3in1 Full color	B34D	30	12V DC	R=120 G=175 B=178	11.4	214	07
GKLAN-6W-B-02	3×2W	B33D	20	12VDC	490	6	Cool white=480 Warm white=376	07