

Mars Series LED Street Light IP66



Specifications

Power	100W / 150W / 200W / 240W
Colour Range	4000 / 5000k
Lumen Efficiency	140lm/W
Input Voltage	100-277V
Dimmable	1-10V / PWM / Resistor (option)
Sensor	Daylight Harvesting / PIR (option)
Power Factor	>0.95
Beam angle	Type II / III / IV / V
CRI	>80
IP Rating	IP66
Driver	IP 67 double-stage isolated constant current driver with 10KV/6KV SPD
LED Chipset	Nichia
Heat Sink	Die-cast Aluminium
Housing Colour	Black
Mounting	Slip-fitter Square & Round Pole / Wall Mount Universal Mount
Accessory	SPD-10: 10KV Surge Protection Device SPD-20: 20KV Surge Protection Device NS: Nema Socket Available with 3/5/7PIN



Mars Series LED Street Light IP66



Driver

High quality IP 67 double-stage isolated constant current driver with 10KV/6KV SPD from Sosen

Construction

Robust quality with die-cast aluminum heatsink and sophisticated mechanical design with IP66 rating

Finish

TGIC powder-painting material for most tough outdoor condition

LED

First-class NICHIA 757GT-V3 chip features higher CIR and lighting efficiency up to 140lm/W

Installation



Slip-fitter



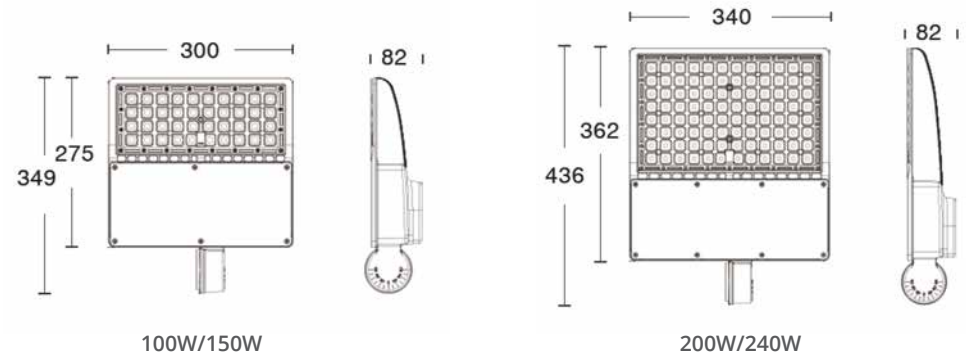
Square & Round Pole / Wall Mount



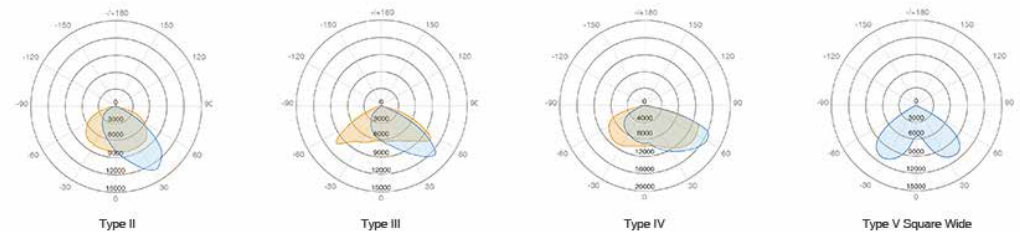
Universal Mount



Dimension



Photometric



MODEL	Wattage (W)	Voltage (V)	CCT (K)	Lumen (140lm/W) (5000K)	Beam Angle (Type)	Size (mm) (LxWxD)	Surface Colour
GBMAR-100W	100W	100-277	4000/5000	14000	III / V	349*300*82	Black
GBMAR-150W	150W	100-277	4000/5000	21000	III / V	349*300*82	Black
GBMAR-200W	200W	100-277	4000/5000	28000	II / III / IV / V	436*340*82	Black
GBMAR-240W	240W	100-277	4000/5000	33600	II / III / IV / V	436*340*82	Black

Mars Series LED Street Light IP66



- IES
- LM80
- RCM
- SAA
- IP65
- TUV
- CE
- 5 Yrs Warranty

9/331 Ingles Street
Port Melbourne VIC 3207 Australia

T 1300 650 625
sales@greenlux.com.au

www.greenlux.com.au

greenluxlighting

GreenluxLED