



Steel 05 LED Bollard



Bollard Light

LED Colour Temperature

3000K
6000K

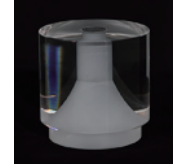
Optics

N/A

LED and Driver Module



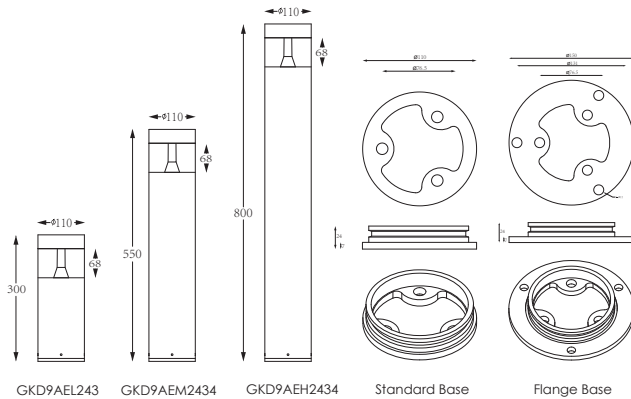
Reflector



The reflector is machined on one entire solid acrylic

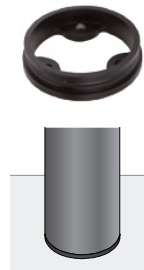
Outer Dimension

Unit:mm

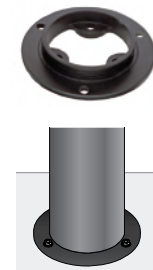


Optional Base

1. Standard/Built-in Base SB00130



2. Flange Base FB00130



Flange base is an optional part which you need to remove the standard base before the assembling.

Material Specifications

Housing	T=60-80um Adhesion of ISO class 1/ASTM class 4B 12" Die-casting powder coated aluminum.
Light window	PMMA
LED	SMD3030 type LED
LED Driver	Constant Voltage Input, Constant Current Output
Operating temperature	-20°C~40°C
Power cable	H05RN-F 3×1.0mm ² L=0.3m(high voltage/short) H05RN-F 3×1.0mm ² L=0.5m(high voltage/medium) H05RN-F 3×1.0mm ² L=1.0m(high voltage/high)
Base	Standard Base Flange base
Dimmable Support	Triac PWM 1-10V Dalí

Housing Color Option

Basic	Secondary
Sanded Black RAL9005	Dark Grey RAL7037

Item	Light source	Input voltage(V)	Typical operating current(mA)	Typical consumption(W)	Typical luminance(lm)
GKD9AEL2434 GKD9AEM2434 GKD9AEH2434	24X 0.2W	120/240	120V = 36 240V = 66	120V = 4.4 240V = 4.6	Warm white=98

