



greenlux
cost reduction LED lighting

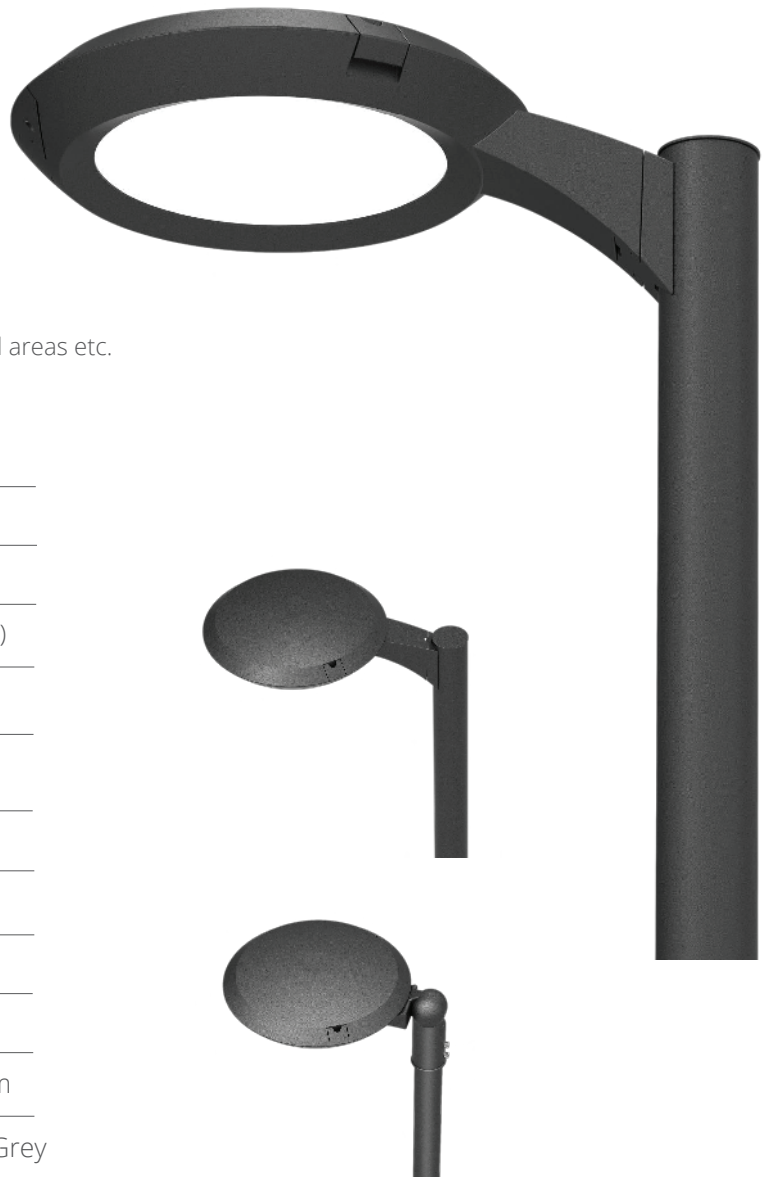
Tels 01 LED Street/Garden Light

Available in Multiple Wattage
80% lumen maintenance at 50,000 hours

- Anti glare UGR<19
- Slip-fitter and arm mount available
- Arm mount to round pole & square pole
- Self-cleaning & weather proof
- 0-10V, Dali dimmable options
- Zigbee Smart City Management
- Replaceable LED, driver unit & control gear
- Microwave sensor & photocell sensor options
- Surge protection up to 20KA option
- IP66 & IK10 Rated
- Applications include streets, gardens, parks and residential areas etc.

Specifications

Colour Range	2700 ~ 5700k
Power Consumption	25W ~ 62W
Product Dimensions (mm)	Ø400 * 94 (L*W*H)
Lumen	3000lm ~ 7500lm
Input Voltage	AC 100-277V
Power Factor	>0.92
CRI	>80 & >90
Pole Diameter	60mm (standard)
Dimmer	0-10V / Dali
Housing Material	Die-casting aluminum
Housing Color	Dark Brozen / Light Grey



IES

LM80

RCM

SAA

IP66

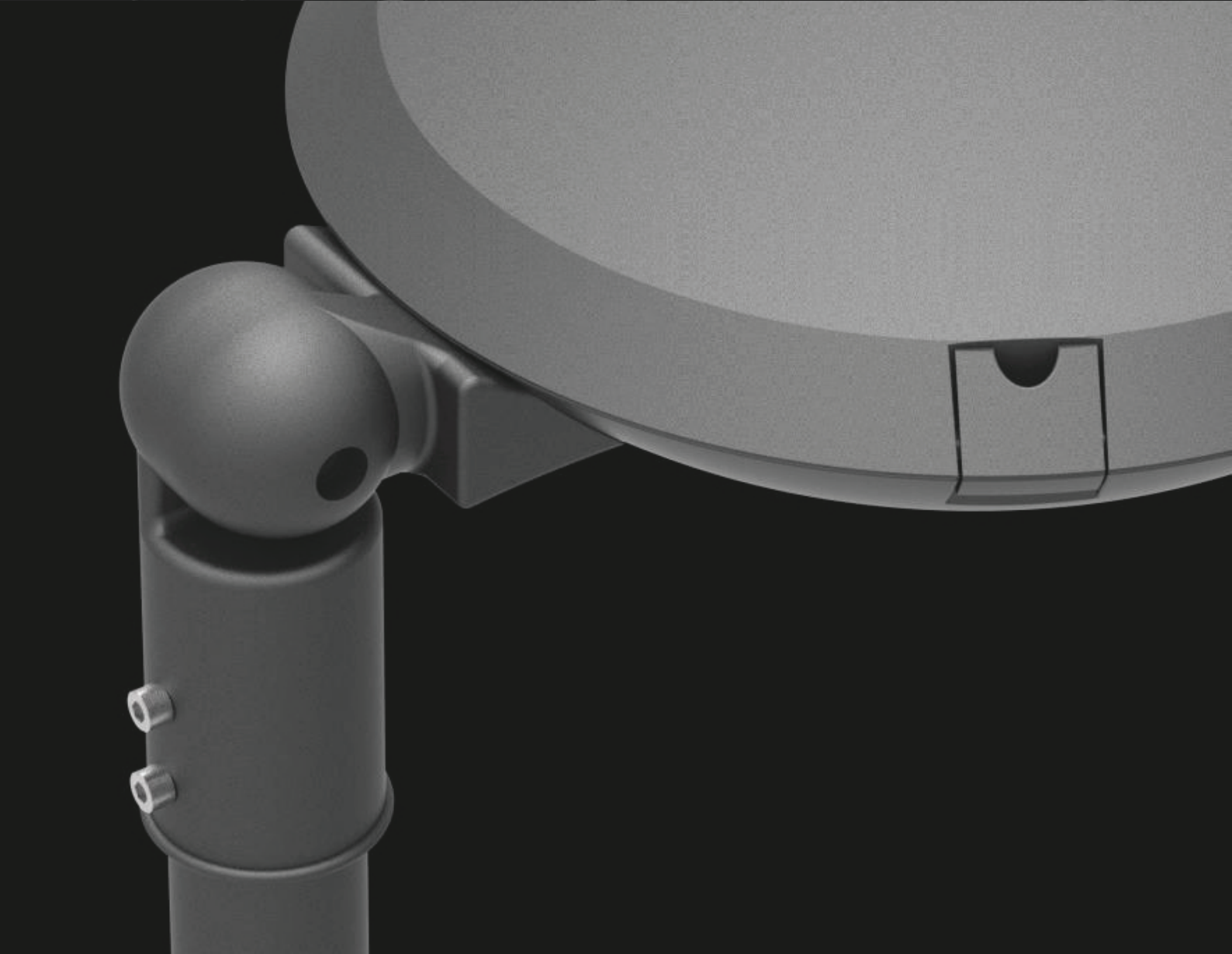
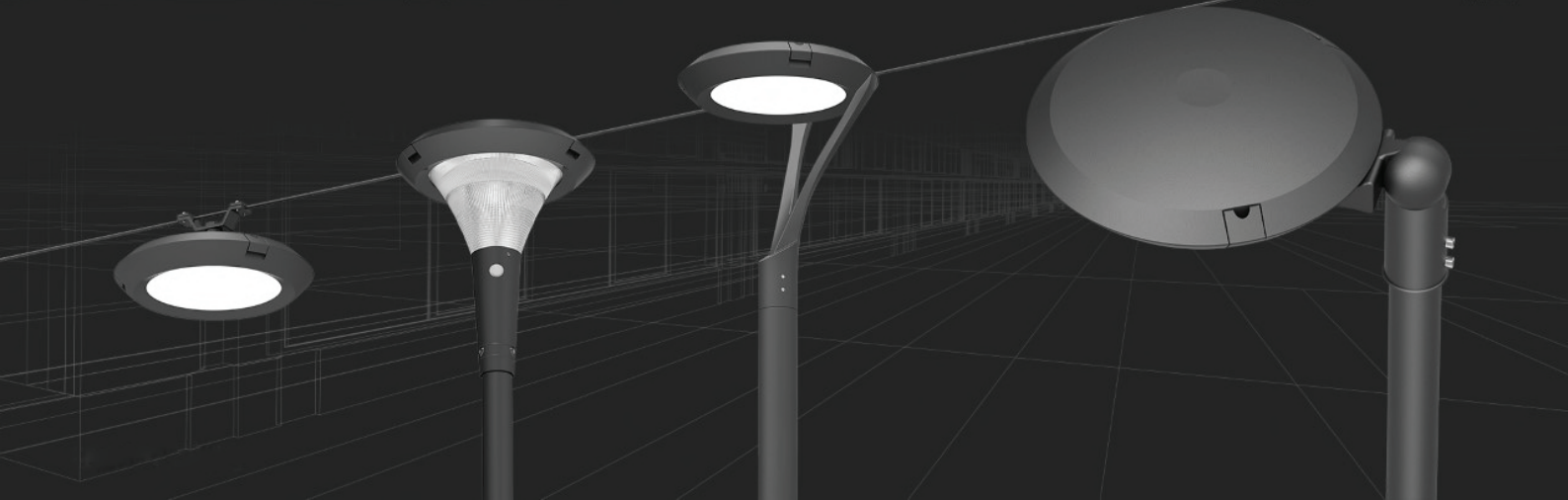
IK10

CE

5 Yrs
Warranty



The Nature of Light & Visual Comfort
Elegant by day (Dayform) Brilliant at night (Nightform)

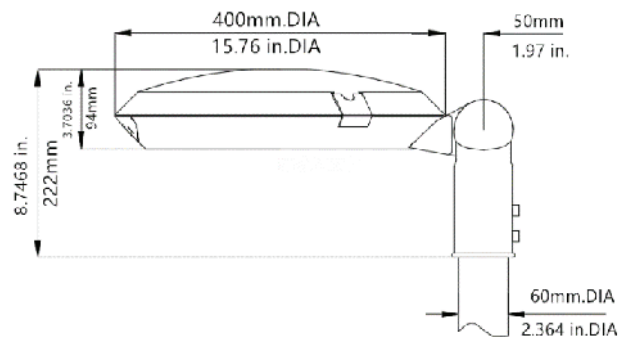
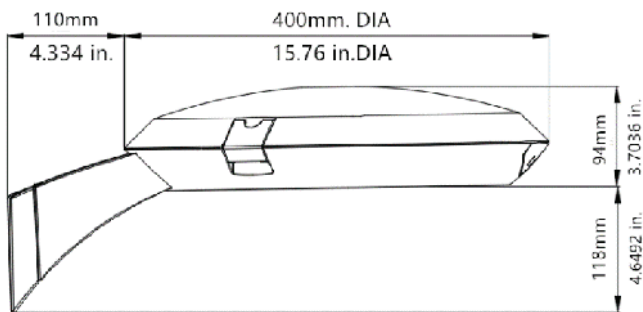




greenlux
cost reduction LED lighting

Tels 01 LED Street/Garden Light

Dimensions



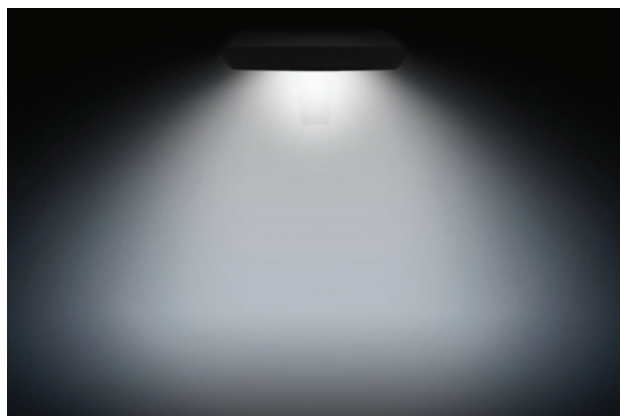
Installation & Maintenance

- Suggested installation height 2.5m to 6.0m
- Easy installation & on-site maintenance
- AISI 304 stainless steel screws for optional external IP connector
- Standard 1.0m outlet input cable, customized cable length available
- Self-cleaning & weather proof body design



Dimmable & Control

- 0-10V dimmable, range 10% ~100%
- Dali control gear 0% ~ 100%
- Integrated microwave sensor: on/off
- Integrated microwave sensor: standby
- Photocell sensor option
- Zigbee Smart City Management





greenlux
cost reduction LED lighting

Tels 01 LED Street/Garden Light

Model

MODEL	Beam Angle (°)	Wattage (W)	Voltage (V)	CRI	CCT (k)	Lumen	Pole Diameter (mm)	Size (mm) (LxWxD)	Surface Colour
GETEL-25W-01	160	25W	100/277	>80 >90	2700-5700	3000	40	Ø400*94	Dark Brozen Light Grey
GETEL-40W-01		40W				4800	50		
GETEL-62W-01		62W				7440	60		

