

# Tiny 45 Series LED Underwater Spot Light



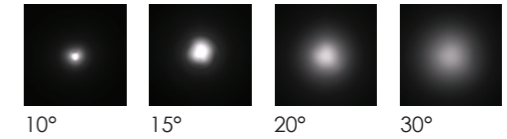
### LED Colour Temperature

- 2000K
- 3000K
- 6000K

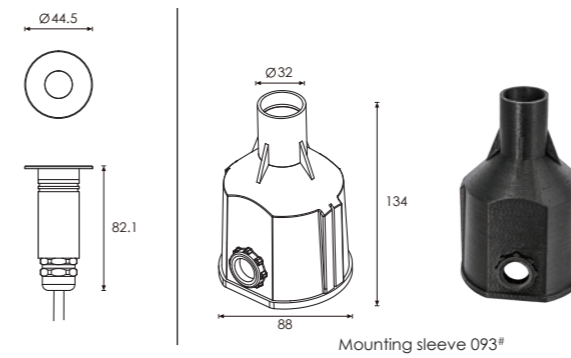
### Optics

B15
LO110D016LK 10°
LO115D016LK 15°
LO120D016LK 20°
LO130D016LK 30°

### B15

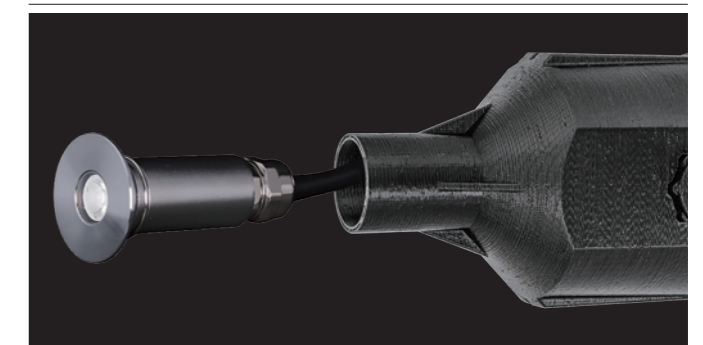
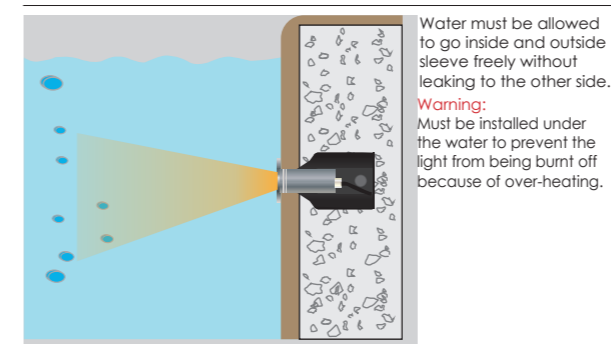


### Outer Dimension



### Material specifications

Front cover&Housing	Molding shaped sus 316L# stainless steel housing
Gasket	EPDM gasket
Light Window	Step tempered glass. T=4mm
Lens	Optical lens, efficiency≥85%
Cable gland	IP68 PG-11 copper with nickel-coated
PCB	Excellent heat conductivity aluminum, coefficient of heat conductivity≥2.0w/mk
LED Driver	Constant Voltage Input, Constant Current Output
Application environment	Temperature of water between -20°C~40°C less than 1 meter depth.
Power cable	H07RN-F 2X1.0mm L=3m
Dimmable Support	Triac PWM 1-10V Dali



Item	Light source	Lens	The manufacturer selected lens degree(°)θ1/2	Input voltage(V)	Typical operating current(mA)	Typical consumption(W)	Typical luminance(lm)	IK rate
GKTIN-2W-45	1×2W Single color	B15	30°	24V DC	87	2.0	Cool white=102 Warm white= 94	07

