



Risk of fire or electric shock. The electrical rating of these products are 100-277 Vac, the installer must determine whether they have 100-277 V at the luminaire before installation.

Risk of fire or electric shock. LED area light installation requires knowledge of luminaires electrical systems. If not qualified, do not attempt installation. Contact a qualified electrician.

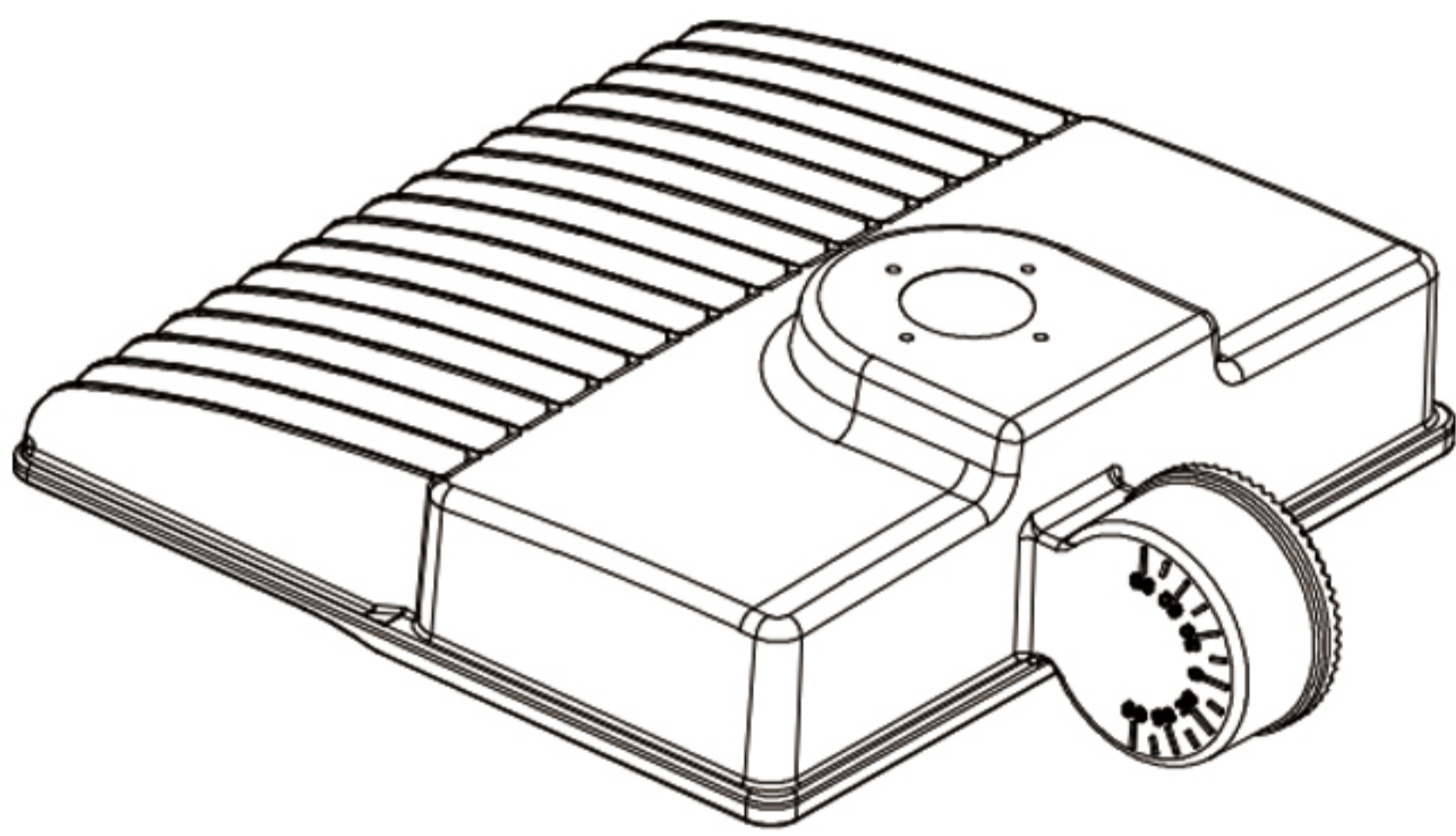
To prevent wiring damage or abrasion, do not expose wiring to edges of sheet metal or other sharp objects.

Disconnect power before installing the product or servicing it.

Wait until fixture has cooled down before installing or servicing the fixture.

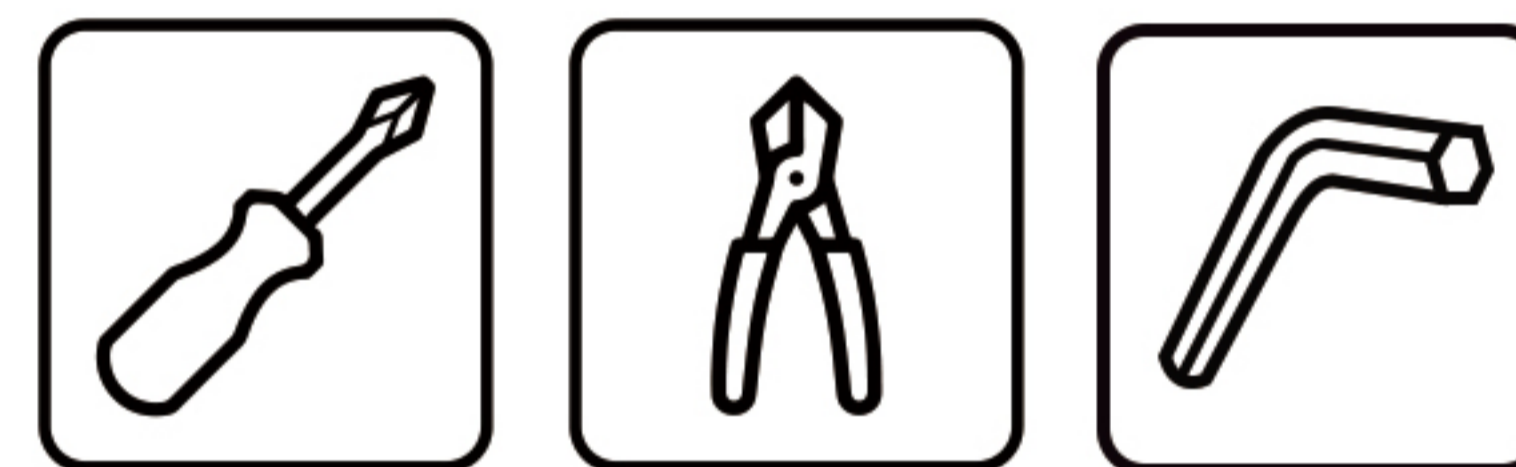
What's in the box

1pc LED area light

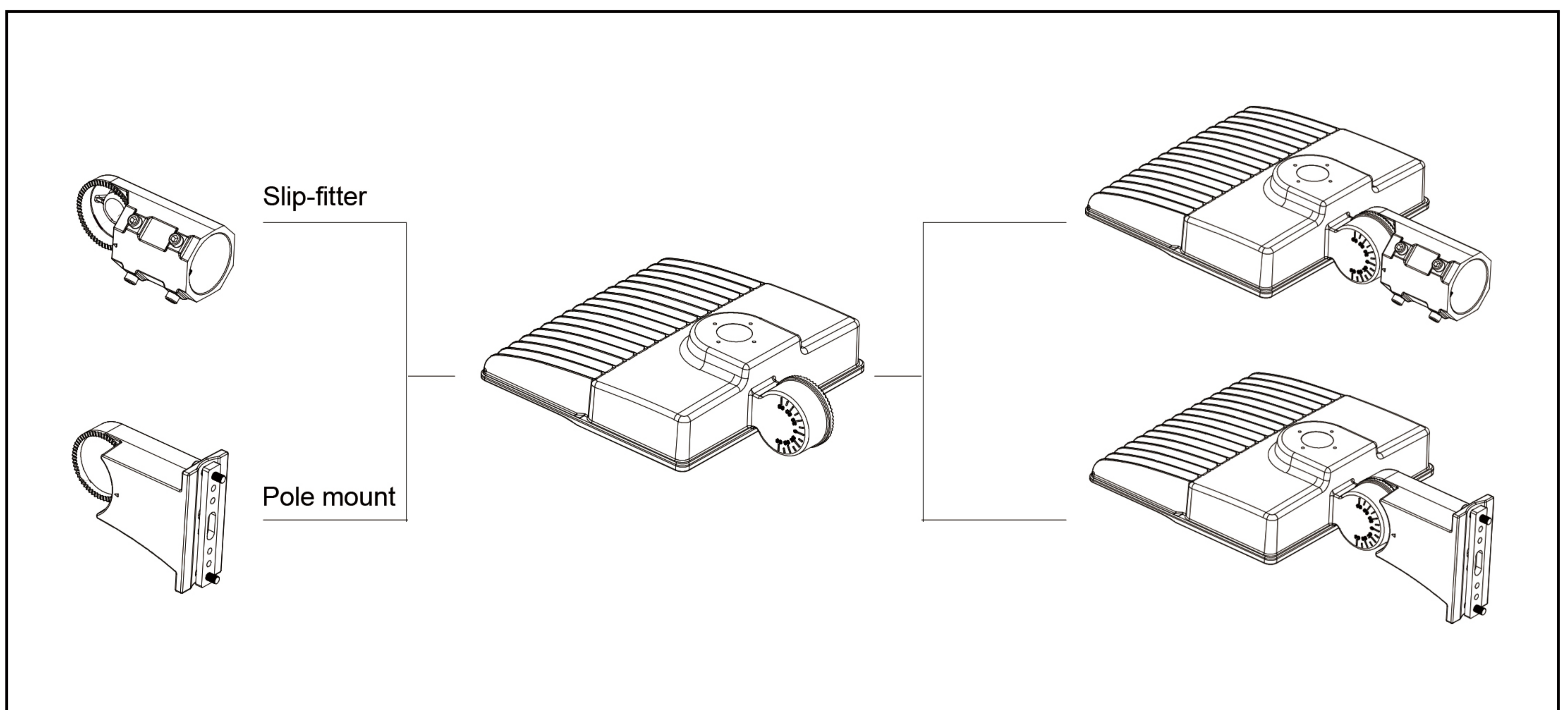


Tools Needed

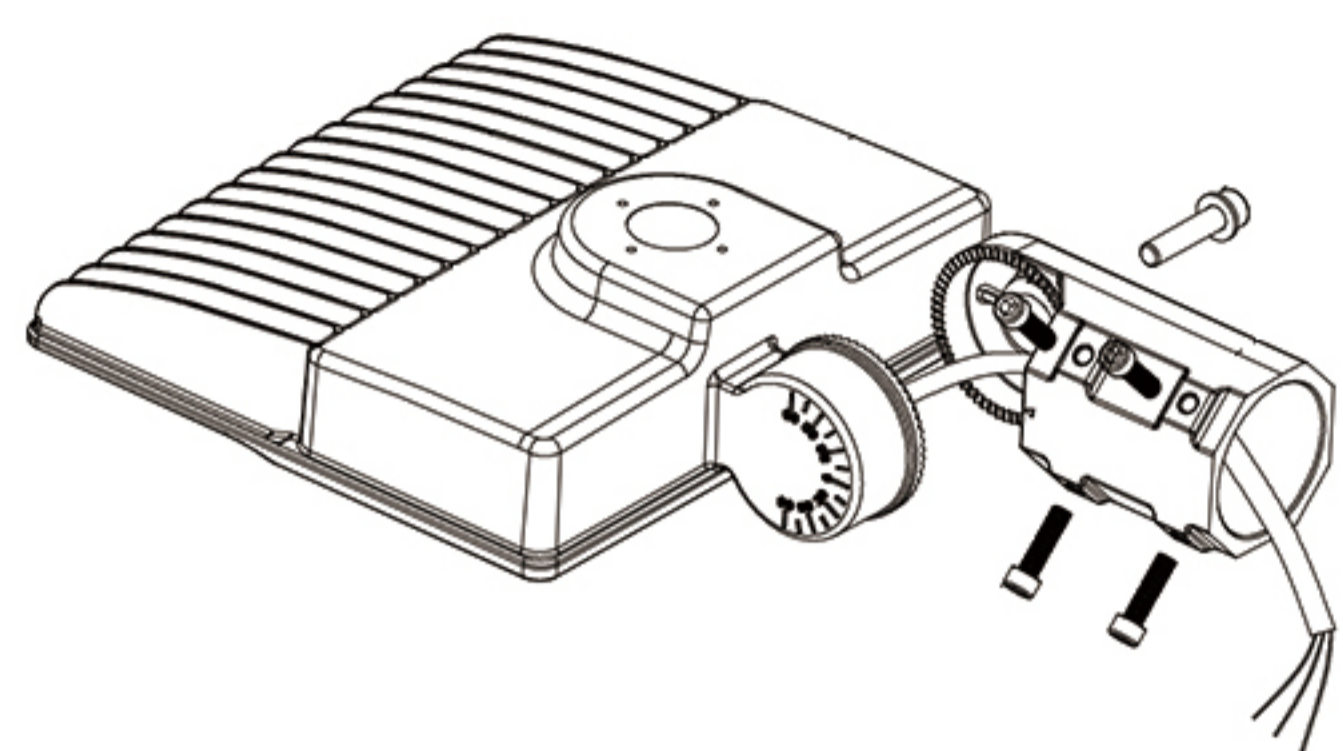
This LED area light requires very few tools for installation. A screwdriver and a pair of wirecutters will help to install the reflector and fasten the mounting hook.



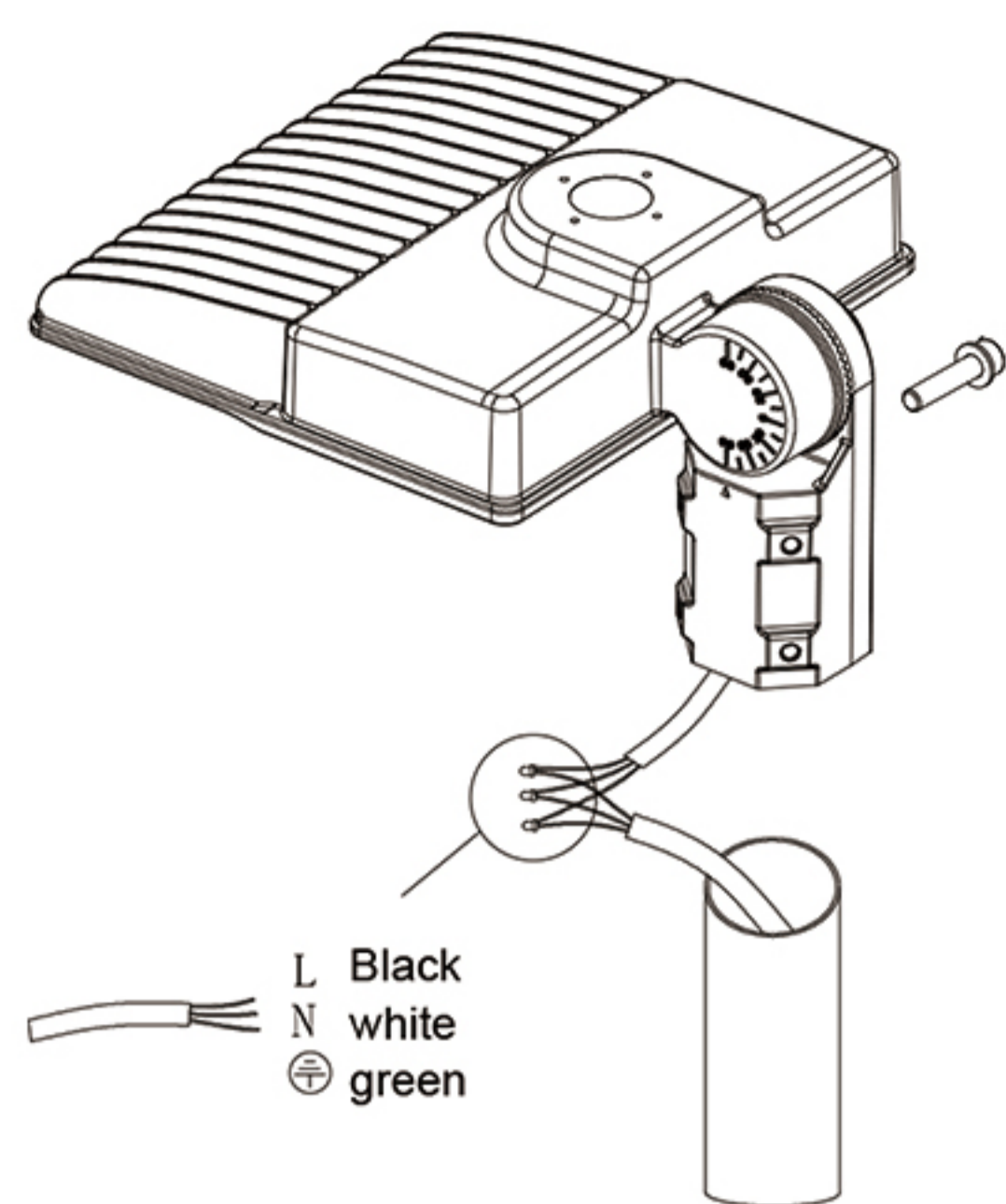
Mounting Brackets You may have



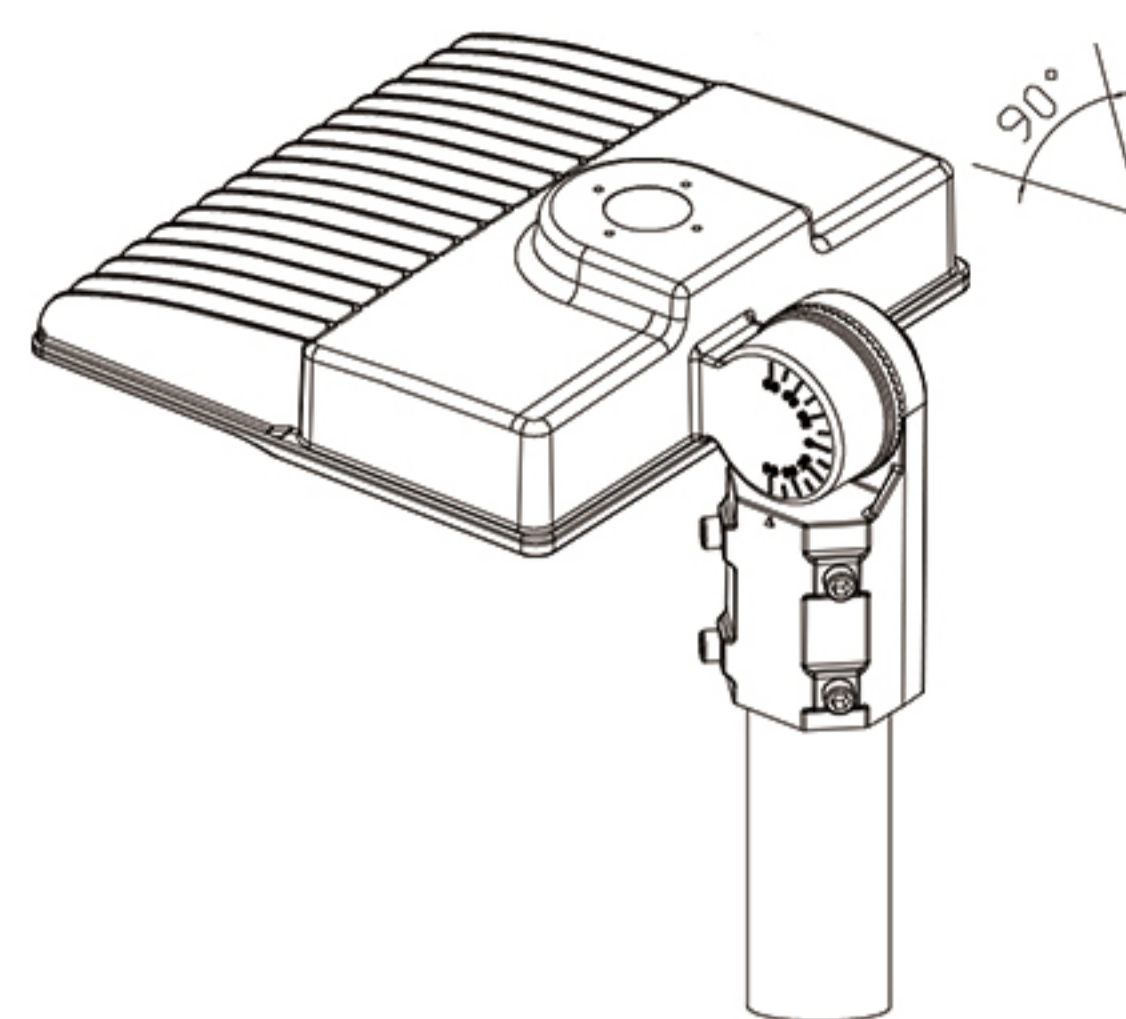
Slip-fitter Instruction



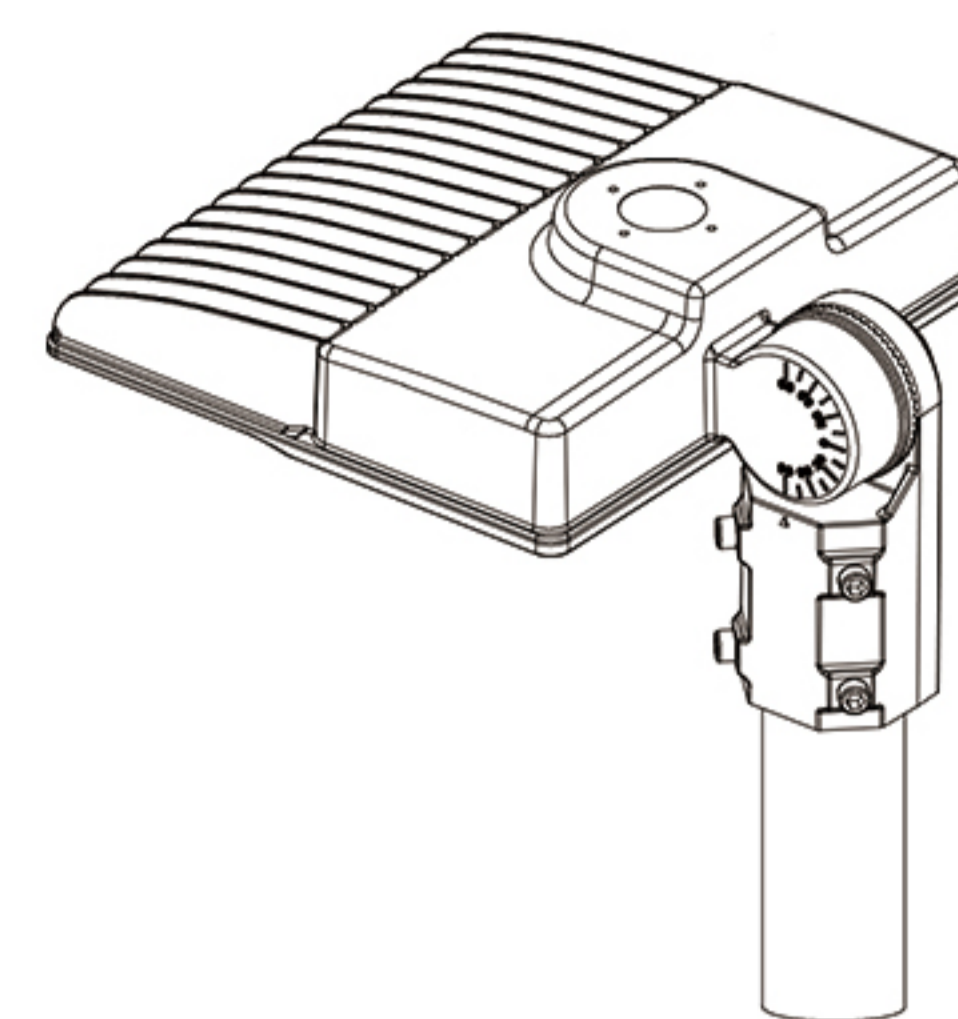
Install the bracket onto fixture with 1pcs M10 screw



Complete wiring like above

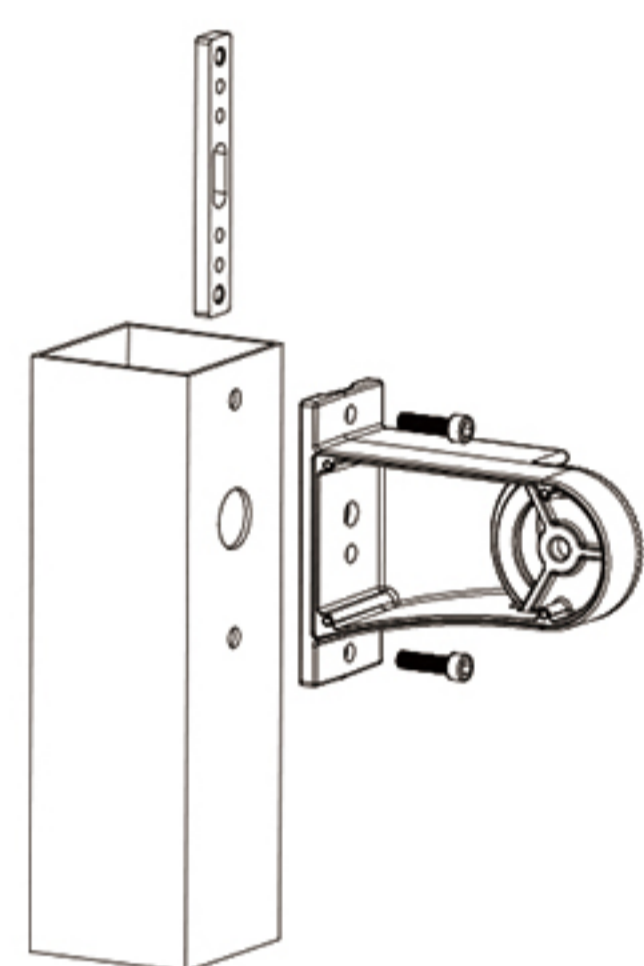


Adjust the tilt angle of the fixture before tighten M10 screw

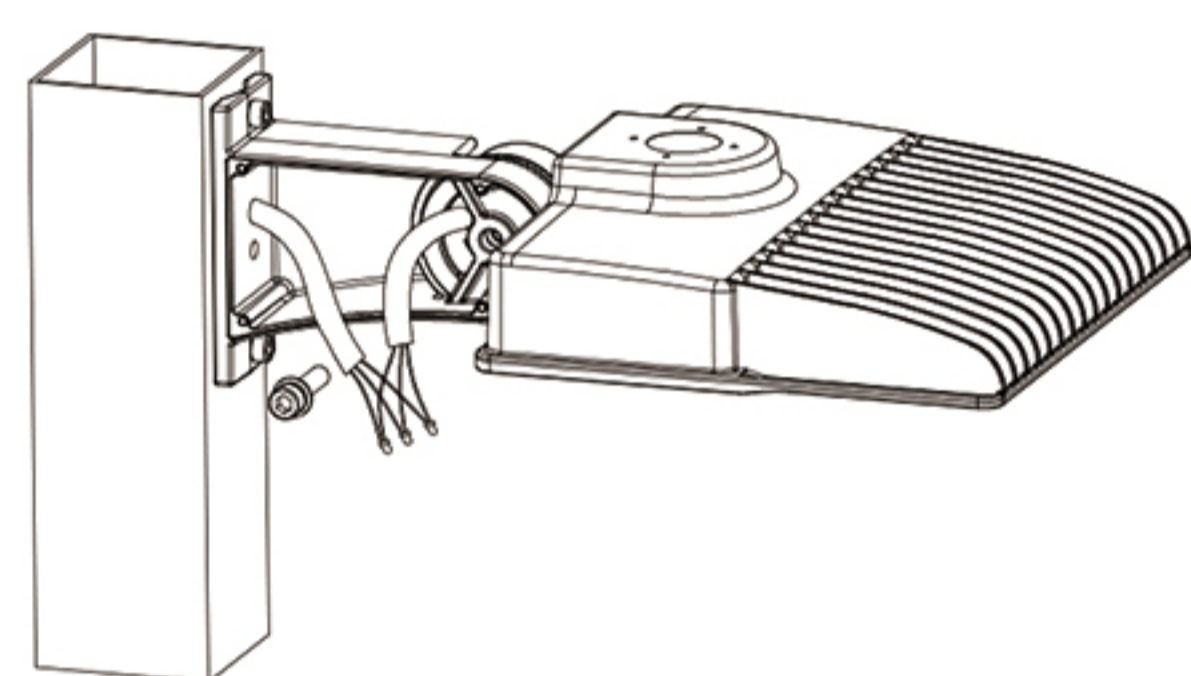


Fasten 4pcs M8 screws against pole tightly

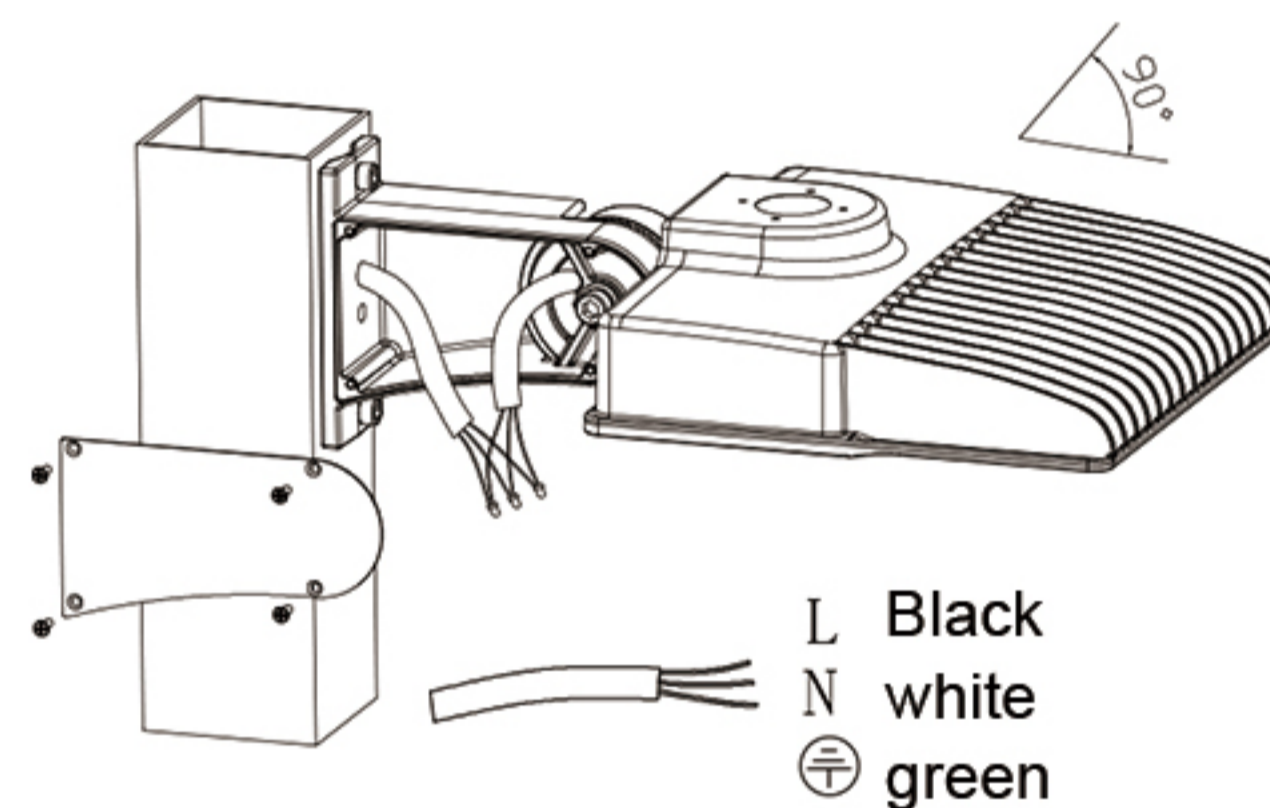
Square Pole Instruction



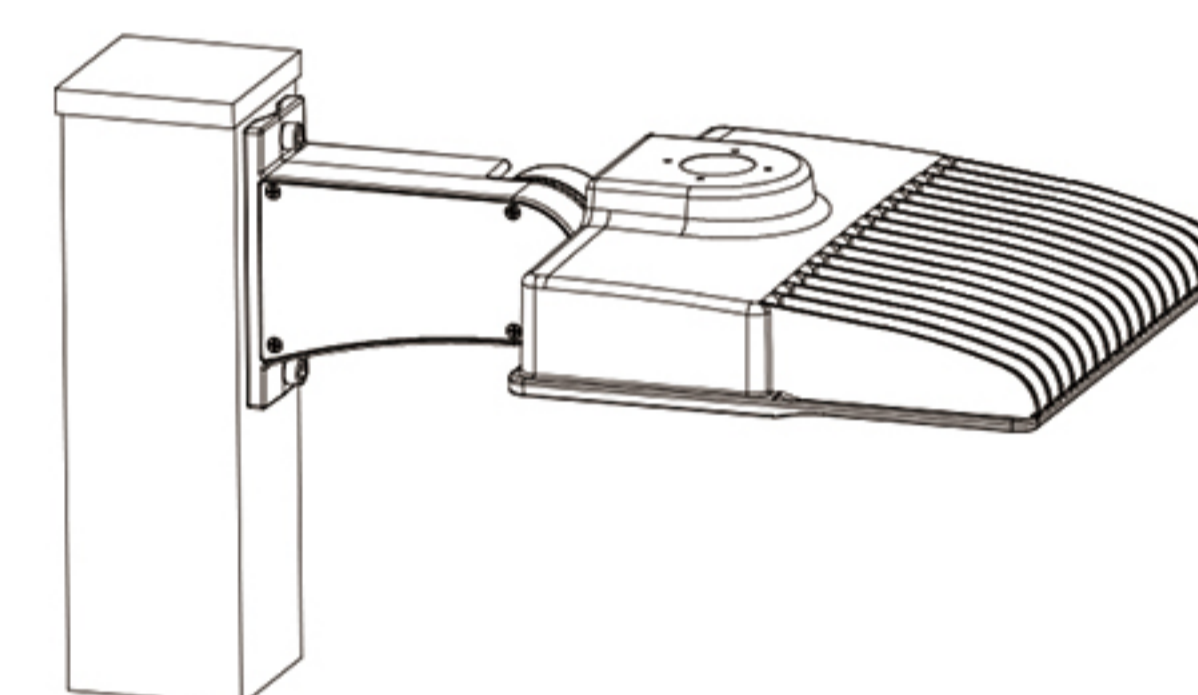
Install the bracket onto the square pole with 2pcs M8 screws and internal plate



Install the fixture onto the bracket with 1pcs M10 screw

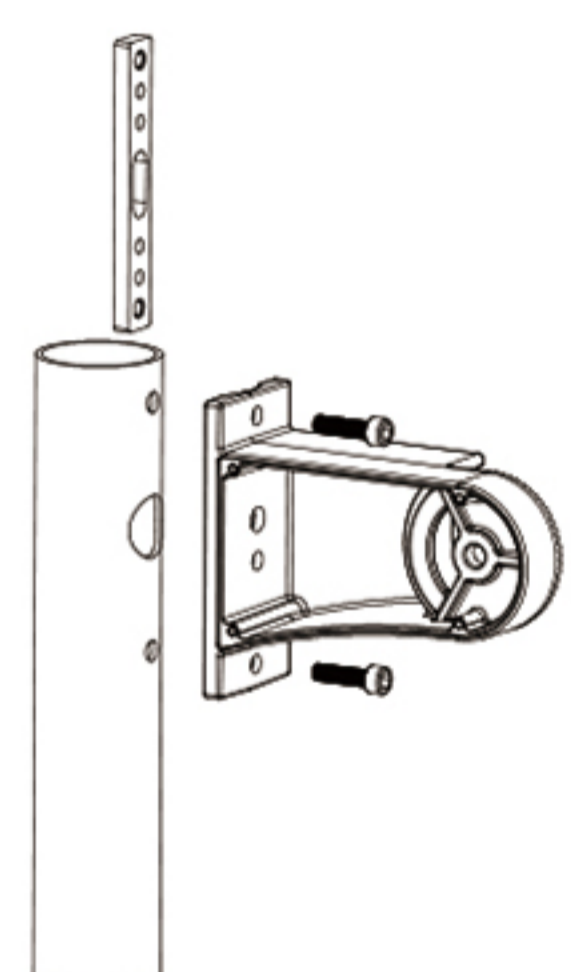


Adjust the tilt angle of the fixture before tighten M10 screw

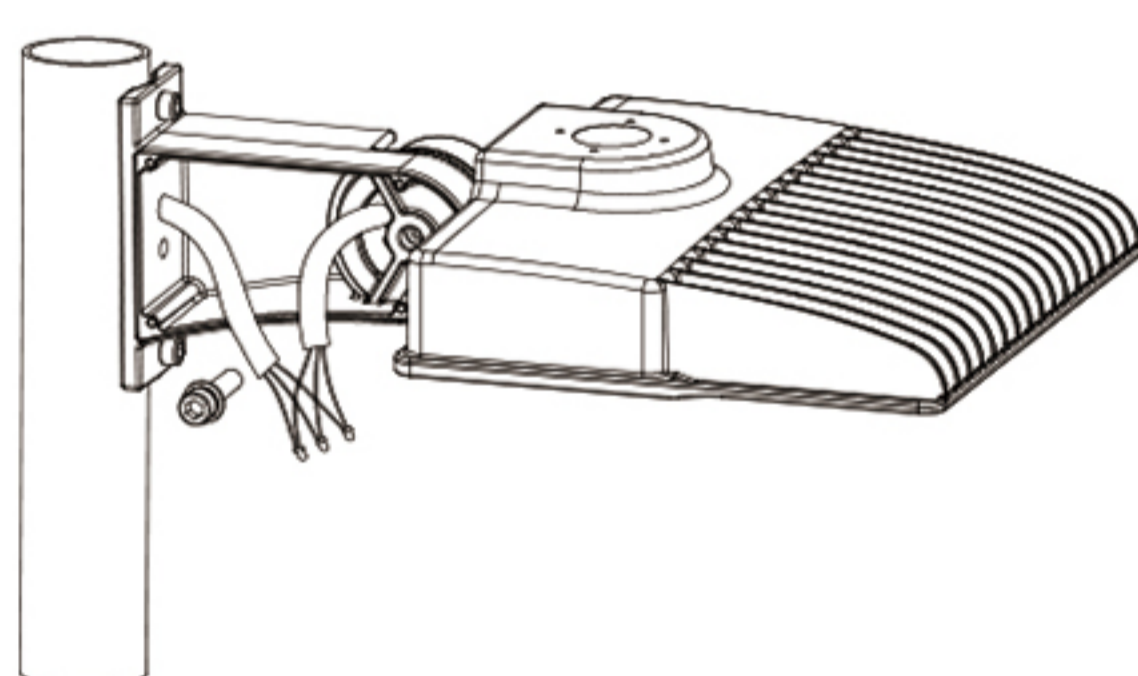


Complete wiring in compartment and secure the door with 4pcs M4 screws

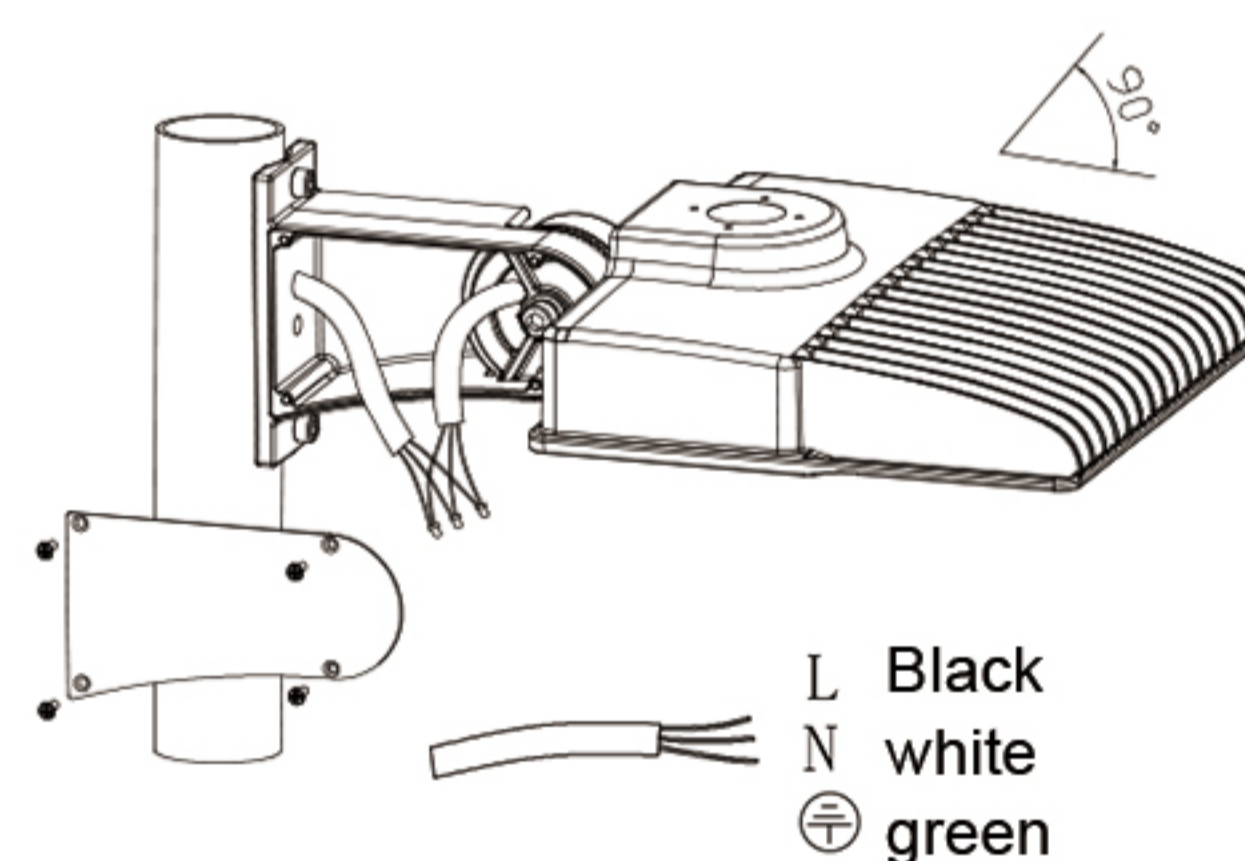
Round Pole Instruction



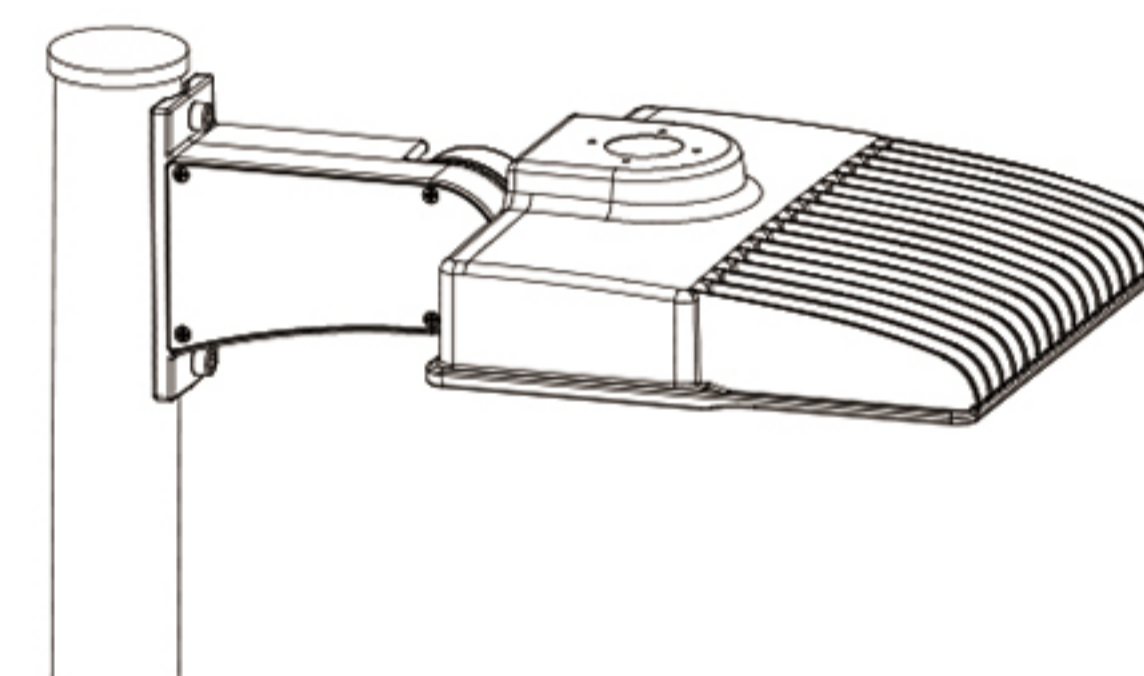
Install the bracket onto the round pole with 2pcs M8 screws and internal plate



Install the fixture onto the bracket with 1pcs M10 screw

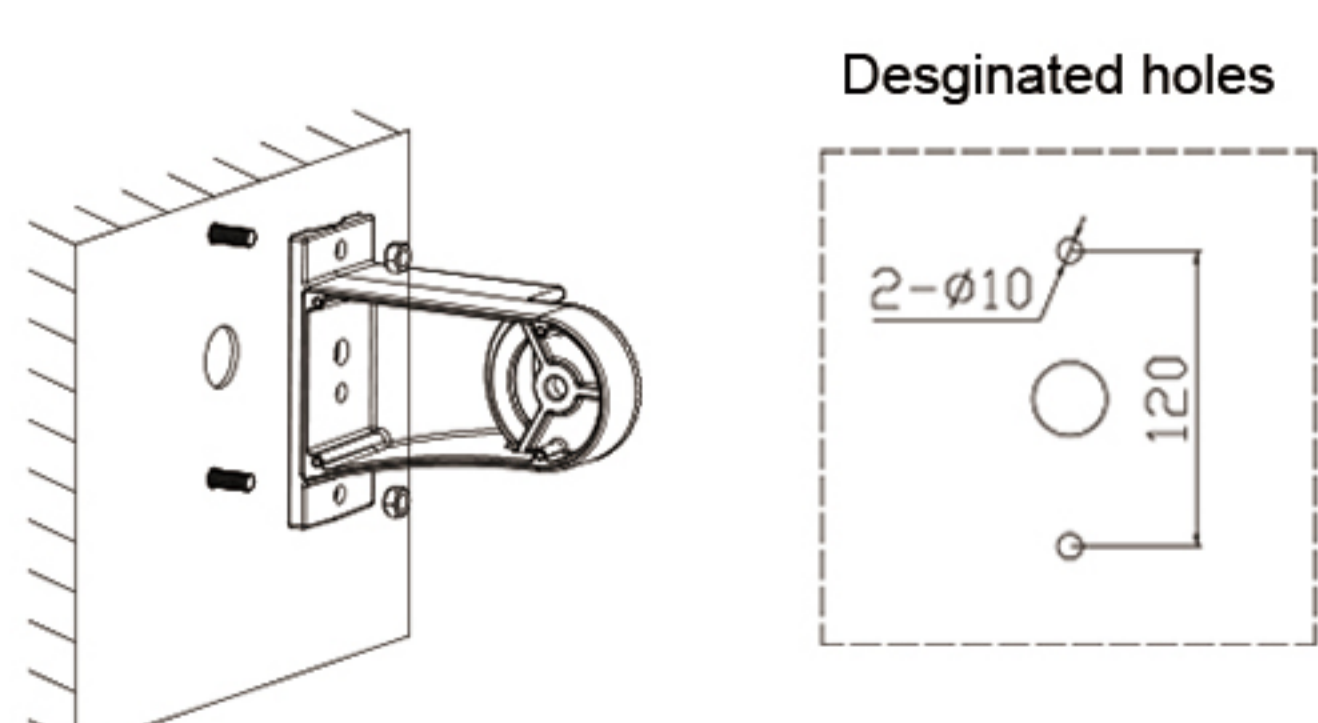


Adjust the tilt angle of the fixture before tighten M10 screw

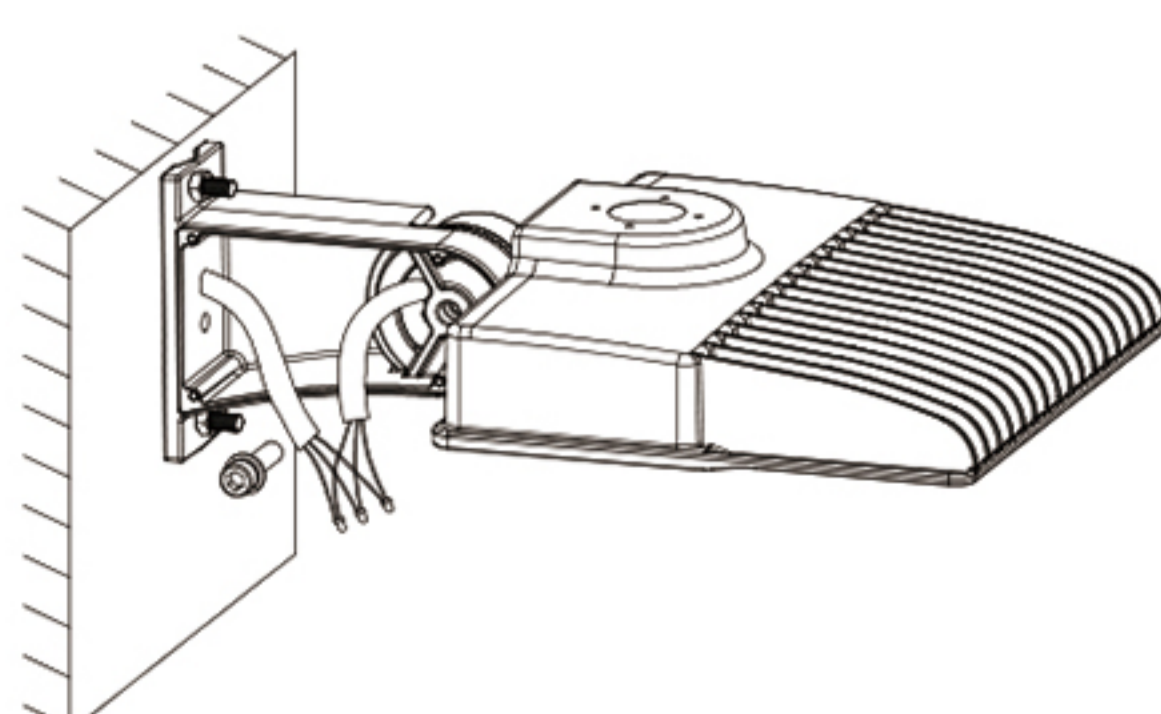


Complete wiring in compartment and secure the door with 4pcs M4 screws

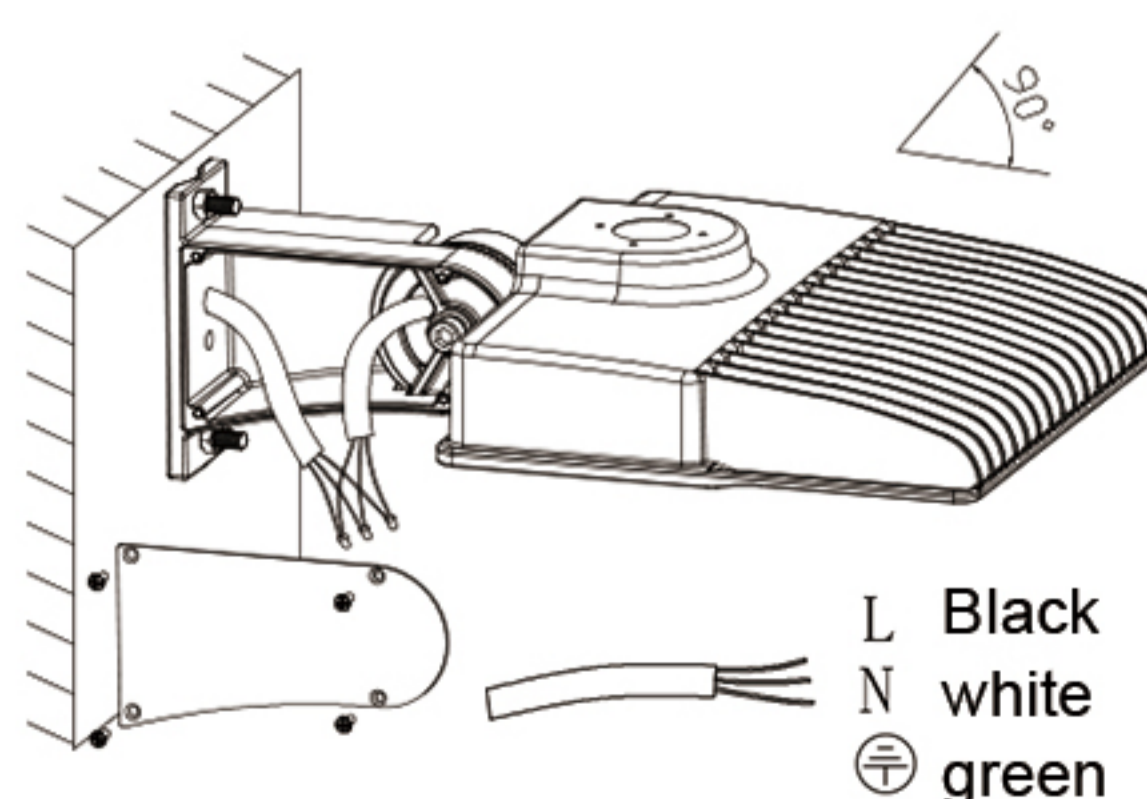
Wall Mount Instruction



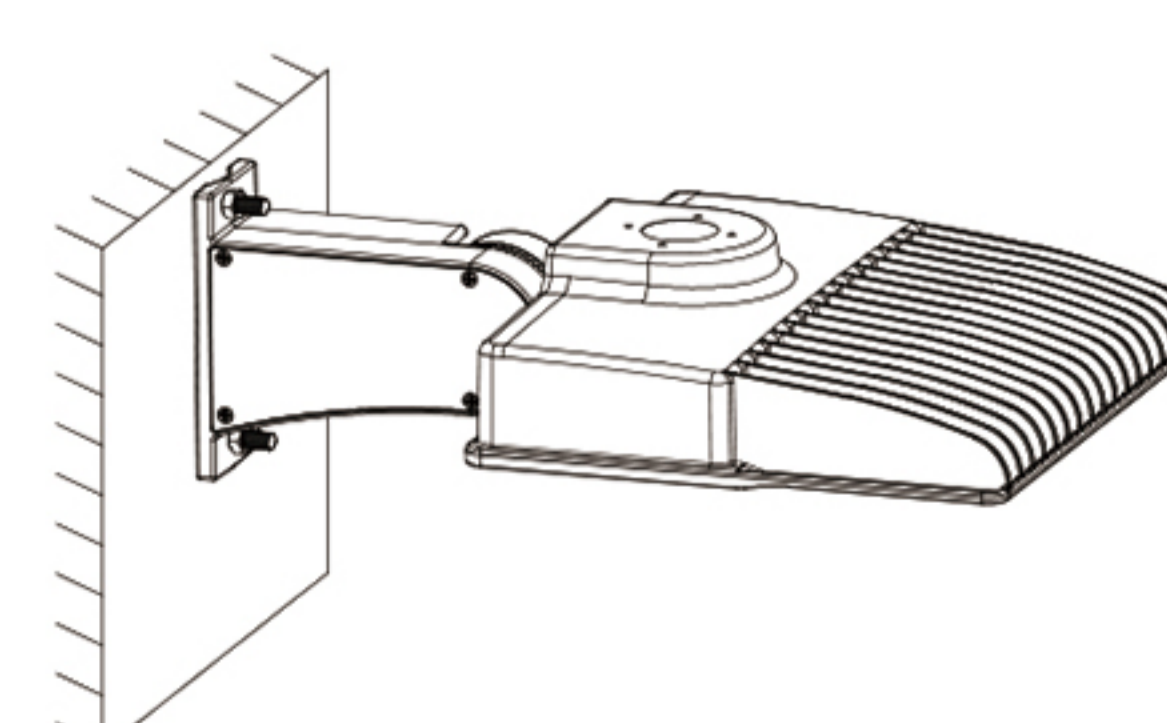
Install the bracket onto the wall with 2pcs M8 screws after designated holes drilled



Install the fixture onto the bracket with 1pcs M10 screw



Adjust the tilt angle of the fixture before tighten M10 screw



Complete wiring in compartment and secure the door with 4pcs M4 screws