

Wisdom Series Deep Recessed LED Downlight



Specifications

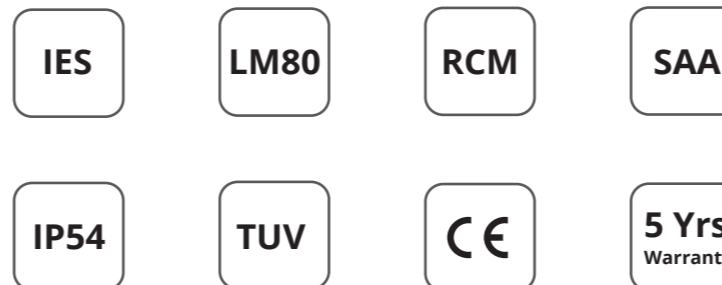
Colour Range	2700k ~ 5000k
Power Consumption	10W ~ 45W
Luminous Flux	1120 ~ 4700lm
Input Voltage	200V ~ 240V AC
Power Factor	>0.9
Chipset	COB
CRI	80 & 90
Beam angle	24° / 36° / 60°
IP Rating	IP 54
Dimmable	Triac/0-10V/Dali (option)

Dimensions & Materials

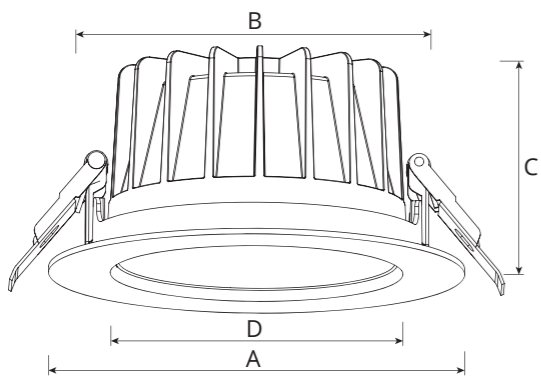
	Product Dimensions (mm)	Cutout (mm)
3"A	Ø95 * 54	Ø82 ~ 88
3"B	Ø110 * 54	Ø90 ~ 95
4"	Ø145 * 78	Ø125 ~ 135
6"	Ø172 * 90	Ø150 ~ 165
8"	Ø228 * 99	Ø220 ~ 210

Housing Material	Die-casting Aluminum Alloy + Clear Diffuser
Housing Colour	White

- UGR<19, unique design and smart function
- High efficiency COB chipset
- High luminous flux 110lm/W
- CRI 80 & CRI 90
- 24° / 36° / 60° Beam Angle
- High quality Die-casting Aluminum Alloy Housing with Clear Diffuser
- Triac / 0-10V / Dali Dimmer System options
- IP54 Rated
- 5 Years Warranty
- Applications include offices, shops, restaurants, hotels, schools & households



Wisdom Series Deep Recessed LED Downlight



Dimensions

Modle	Dimension(mm)				Size(mm)
	A	B	C	D	
3"-A	95	80	54	63	Ø95*54
3"-B	110	86	54	69	Ø110*54
4"	145	120	78	102	Ø145*78
6"	172	145	90	127	Ø172*90
8"	228	195	99	176	Ø228*99



Model No.	GUWIS-10W	GUWIS-10W	GUWIS-13W	GUWIS-10W	GUWIS-18W	GUWIS-25W		
Watt(W)	10W		13W	10W	18W	25W		
Dimension(mm)	Ø95*54	Ø110*54		Ø145*78				
Cutout(mm)	Ø82-88	Ø90-95		Ø125-135				
Rated Input Voltage(V)	AC230V							
Input Voltage(V)	AC200-240V							
LED	COB							
SDCM	-							
CCT(K)	1-CCT: 2700K / 3000K / 4000K / 5000K							
"Luminous Flux (lm) ±5%	1-CCT	Non-DIM	1050~1120	1050~1120	1000~1300	1050~1150	2070~2250	2550~2750
		DIM	1000~1100	1000~1100	970~1230	1000~1100	2020~2200	2500~2700
CRI	≥80							
Beam Angle (°)	24° / 36° / 60°							
UGR	<19							

Model No.	GUWIS-18W	GUWIS-25W	GUWIS-35W	GUWIS-18W	GUWIS-25W	GUWIS-35W	GUWIS-40W	GUWIS-45W		
Watt(W)	18W	25W	35W	18W	25W	35W	40W	45W		
Dimension(mm)	Ø172*90			Ø228*99						
Cutout(mm)	Ø150-165			Ø200-210						
Rated Input Voltage(V)	AC230V									
Input Voltage(V)	AC200-240V									
LED	COB									
SDCM	-									
CCT(K)	1-CCT: 2700K / 3000K / 4000K / 5000K									
"Luminous Flux (lm) ±5%	1-CCT	Non-DIM	2000~2200	2600~2850	3500~3670	1890~2070	2600~2850	3600~4000	4000~4200	4250~4700
		DIM	1980~2160	2500~2750	3320~3500	1800~1980	2500~2750	3500~3900	3800~4000	4200~4500
CRI	≥80									
Beam Angle (°)	24° / 36° / 60°									
UGR	<19									