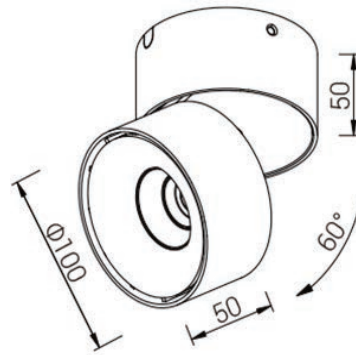


LED Surface Mounted Down Light

Specification



| | |
|---------------------------|--------------------------------------|
| Product code: | GKDOL-12W-01 |
| Power: | 12W |
| Electric data: | AC 220-240V 50/60Hz |
| Lumen: | 960lm |
| Beam angle: | 40° |
| Color temperature: | 3000K / 4000K |
| IP class: | IP20 |
| CRI: | >90 |
| Dimmable: | TRIAC |
| LED source: | COB LED |
| Fixture material: | Aluminum |
| Finish: | White / Black |
| Warranty: | Residential 3 Yrs / Commercial 5 Yrs |

LM80

3 Yrs
Warranty

RCM

SAA

IP20

TUV

