

Oxley 03 Series LED Sport / Stadium Floodlight

Better solutions for Led Flood Light

- IP66 water-proof**
- AC100-277V 50/60Hz**
- Easy Installation**
- 150Lm/W**

Operating Temp.: -40°C ~ +50°C **Storage Temp.:** -40°C ~ +80°C

Options

Power INVENTRONICS DRIVER	Color 3000K 4000K 5000K 5700K	Beam Angle 30°
-------------------------------------	--	--------------------------



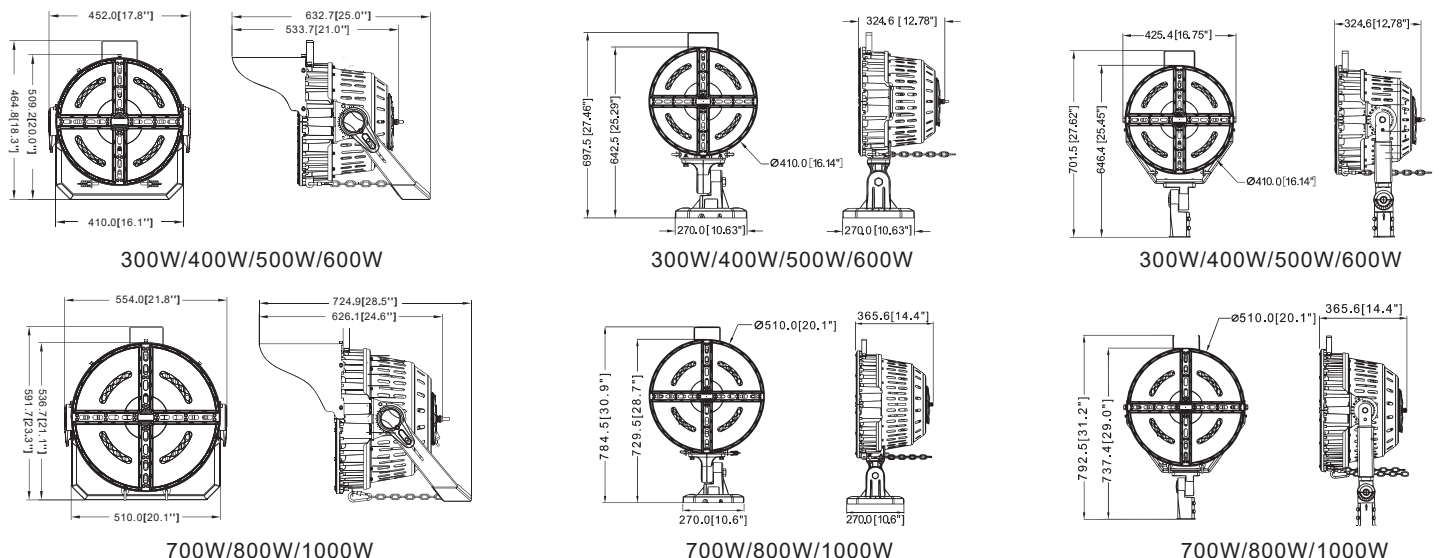
Application

Sports Lighting, Stadium lighting, Sports fields, Car parks, High mast installations Dock, railway and container yards, Ports and other large scale outdoor applications, Architectural lighting, Landscape lighting, Industrial and commercial exterior lighting Decorative lighting for holidays, tradeshows, exhibitions.

Specifications

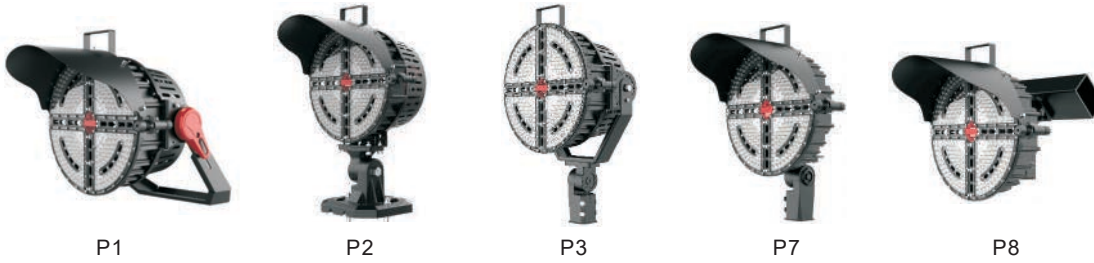
Item	Power	Luminous Efficacy	Leds	CRI	Weight	Beam Angle
GBOXL-300W-03	300W	150Lm/W	SMD5050	>70	17.5kg(38.6lbs)	30°
GBOXL-400W-03	400W	150Lm/W	SMD5050	>70	17.5kg(38.6lbs)	30°
GBOXL-500W-03	500W	150Lm/W	SMD5050	>70	17.5kg(38.6lbs)	30°
GBOXL-600W-03	600W	150Lm/W	SMD5050	>70	17.5kg(38.6lbs)	30°
GBOXL-700W-03	700W	150Lm/W	SMD5050	>70	27.0kg(59.5lbs)	30°
GBOXL-800W-03	800W	150Lm/W	SMD5050	>70	27.0kg(59.5lbs)	30°
GBOXL-1000W-03	1000W	150Lm/W	SMD5050	>70	27.0kg(59.5lbs)	30°

Dimensions(mm)

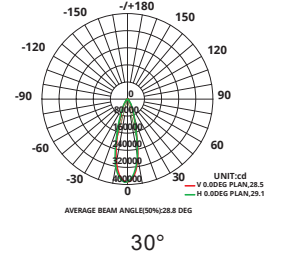


Oxley 03 Series LED Sport / Stadium Floodlight

Model Options

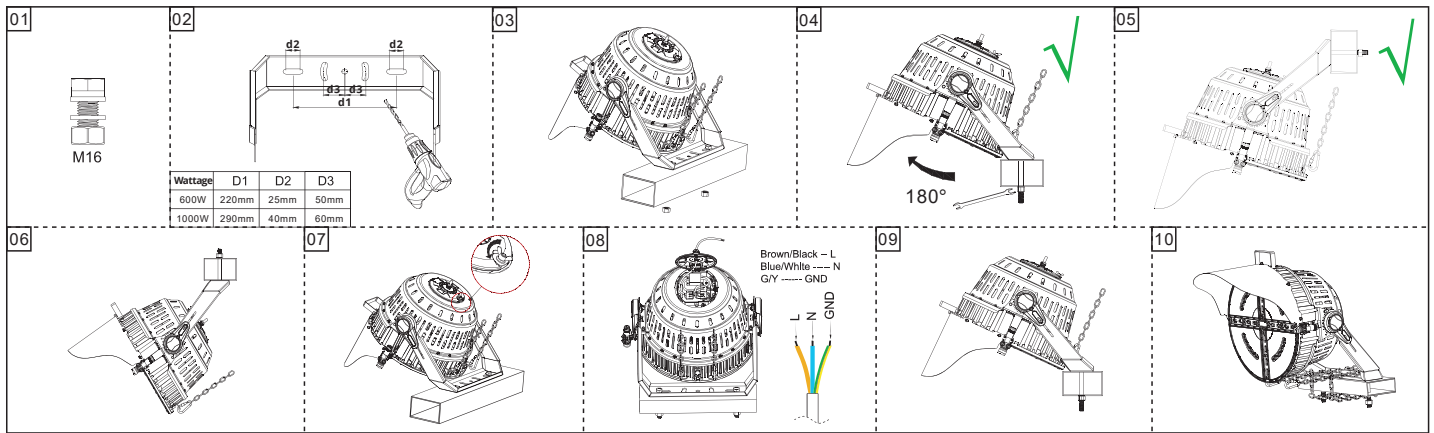


Photometry

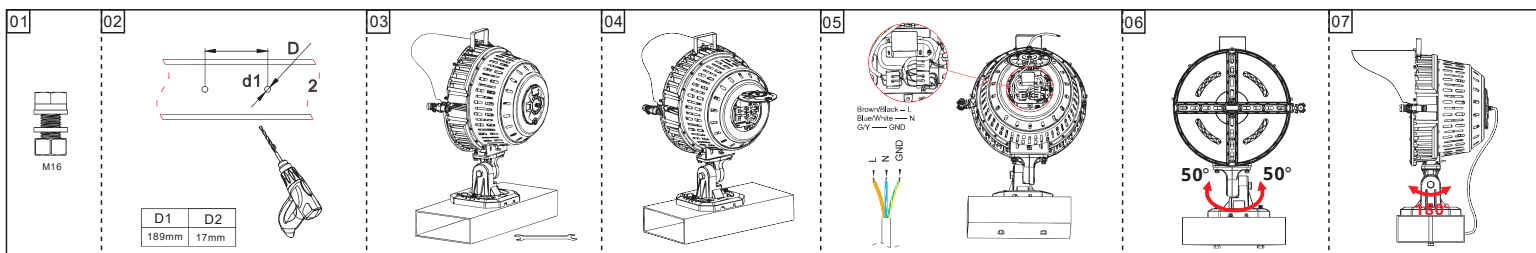


Installation

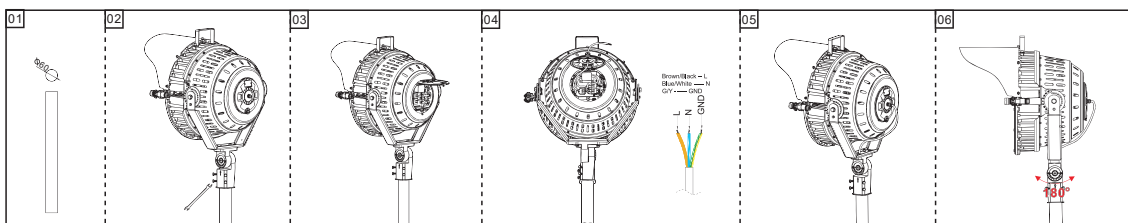
P1 U-Shaped Bracket



P2 Rotatable Bracket

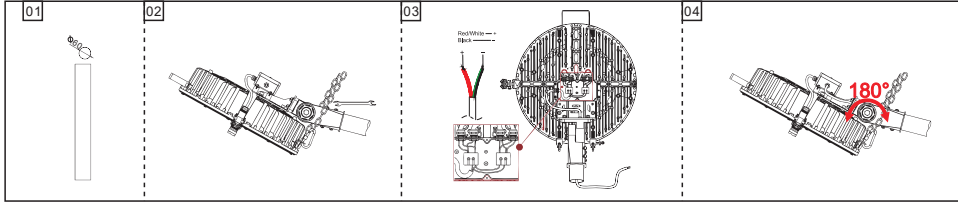


P3 Slip Fitter

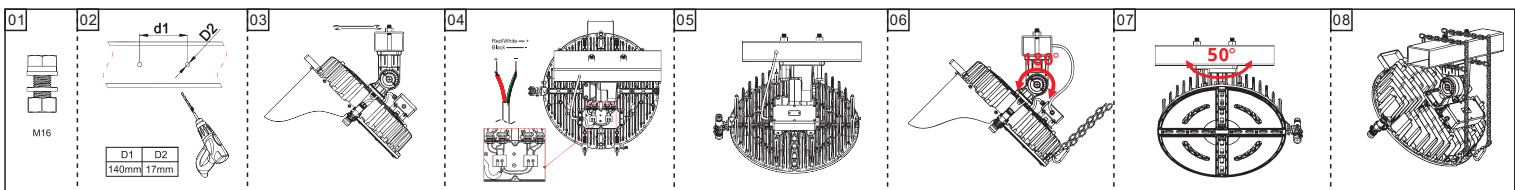


Oxley 03 Series LED Sport / Stadium Floodlight

P7 Slip Fitter (Separate Installation)



P8 Rotatable Bracket (Separate Installation)



Optional



Aiming Position Light



Anti-glare Lighting cover



10KV SPD (Standard) IP65
20KV SPD IP65

