

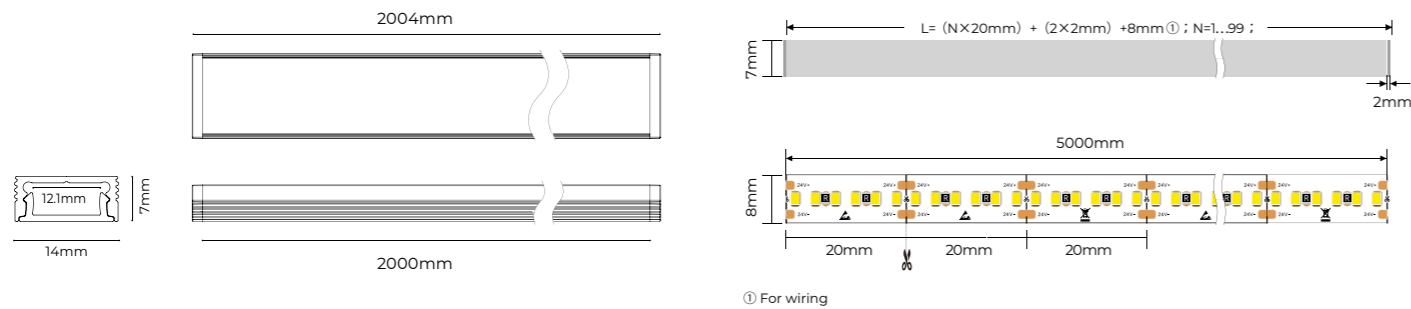
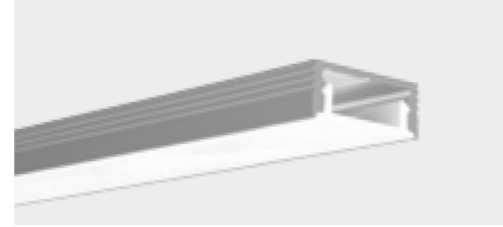
Chain GLS Series



GLS 1407



- Super narrow and thin, applicable to small spaces
- "Dot-free" lighting source producing homogeneous & soft lights
- Aluminum profile with excellent heat dissipation performance
- High quality surface treatment and PC diffuser
- Close-fitting design without screws, optional end caps with or without holes
- Optional fixed clips for light angel adjustment as you wish

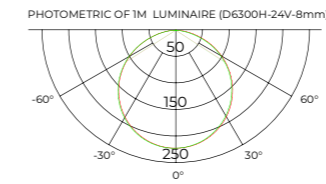


Profile flexible cutting size:
 $L_{min} = (1 \times 20mm) + (2 \times 2mm) + 8mm = 32mm$
 $L_{max} = (99 \times 20mm) + (2 \times 2mm) + 8mm = 1992mm$
 Recommended grooving size:
 W=17mm H=7.5mm



Profile Components ^①		
ProfileX1	PR-GLS1607 14X7X2000mm	
End capX4	EC-GLS1607SN 14X7X6mm	
DiffuserX1	CV-GLS1607 13.5X4.5X2000mm	
Mounting clip clipX4	GCP-04	

^①Parts of profile components can be purchased separately
^②The luminous flux is the testing result of 4000K product



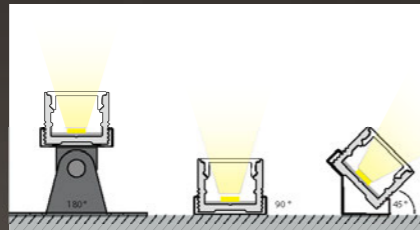
Height	Eavg,Emax	Angle:15.00deg	Diameter
1m	61.36,224.7lx		313.94cm
2m	15.34,56.17lx		627.87cm
3m	6.818,24.96lx		941.81cm
5m	2.454,8.986lx		1569.69cm
7m	1.252,4.585lx		2197.56cm

Lighting Source and Power Supply							
Flexible Strip							
Model	CRI	Lumens ^②	Voltage	Typ.power	Size	LEDs/m	Cutting unit
GD6300L-24V-8mm	>90	750LM/m	24V	8W/m	5000 X8X12mm	300LEDs	6LEDs/20mm
GD6300H-24V-8mm	>90	1200LM/m	24V	13W/m	5000 X8X12mm	300LEDs	6LEDs/20mm
Power Supply							
Model	Size	Input voltage	Input current	Output voltage	Output power	Dimming method	Power factor
GESD-V24-025S	330X21X20mm	100-277VAC 50/60Hz	0.35A Max	24VDC	25W	PWM, 0-10V, Resistor	>0.95
GESD-V24-065S	363X34.5X22.5mm	100-277VAC 50/60Hz	1.0A Max	24VDC	65W	PWM, 0-10V, Resistor	>0.95
GSN-V24-065S	400X24.5X22mm	200-240VAC 50/60Hz	0.4A Max	24VDC	65W	on/off	>0.95
GESD-V24-100S	390X38X28.5mm	100-277VAC 50/60Hz	1.6A Max	24VDC	100W	PWM, 0-10V, Resistor	>0.95
GSN-V24-100S	420X30.5X26mm	200-240VAC 50/60Hz	0.6A Max	24VDC	100W	on/off	>0.95
Controller							
Model	Size	Input voltage	Load power	Working temperature	Detecting distance		
CM1-RID-B1	64.5X16X13mm	12V-24V	30W/60W(12V/24V)	-20° ~40°	5-8cm		
CM2-CID-B1	64.5X16X13mm	12V-24V	30W/60W(12V/24V)	-20° ~40°	-		
CM3-C2DT-B1	64.5X16X13mm	12V-24V	25W/50W(12V/24V)	-20° ~40°	-		

Furniture Lighting



Dot-free Light Source:
Perfect homogenous lighting distribution.



Multiple Emission Angles:
45°, 90°, or 0-180° adjustable



Various Diffusers:
Several optional diffusers; Various shapes and light distribution.



Small size for various application:
Super slim and compact