



**greenlux**  
cost reduction LED lighting

## Crest 02 LED Pendant Light

Available in Multiple Wattage  
80% lumen maintenance at 50,000 hours

- Three UGR Levels Options 19 / 22 / 25
- Intergrated Reflector, Excellent Thermal Management
- Surface Mounted Light
- 60° / 90° Beam Angle
- High lumen output at 100lm/W
- High Quality Aluminium
- High quality Citizen or Bridgelux COB chipset
- Dimming Options
- IP54 Rated
- 5 Years Warranty
- Applications include ceilings, walkways, hotels, restaurants, museums, shops & offices

### Specifications

<b>Colour Range</b>	3000-5700k
<b>Power Consumption</b>	13W / 18W / 25W
<b>Luminous Flux</b>	100lm/W
<b>Input Voltage</b>	100-240V AC 50/60Hz
<b>Beam angle</b>	60° & 90°
<b>CRI</b>	>80 or >90 (option)
<b>Power Factor</b>	>0.9
<b>IP Rating</b>	IP54
<b>Dimmable</b>	TRIAC
<b>Driver</b>	Australian Safety Standard



### Dimensions & Materials

<b>Product Dimension (mm)</b>	13W	Ø143 * 112
	18W	Ø170 * 124
	25W	Ø213 * 129
<b>Housing Material</b>	Aluminum	
<b>Housing Colour</b>	Matte White Matte Black	

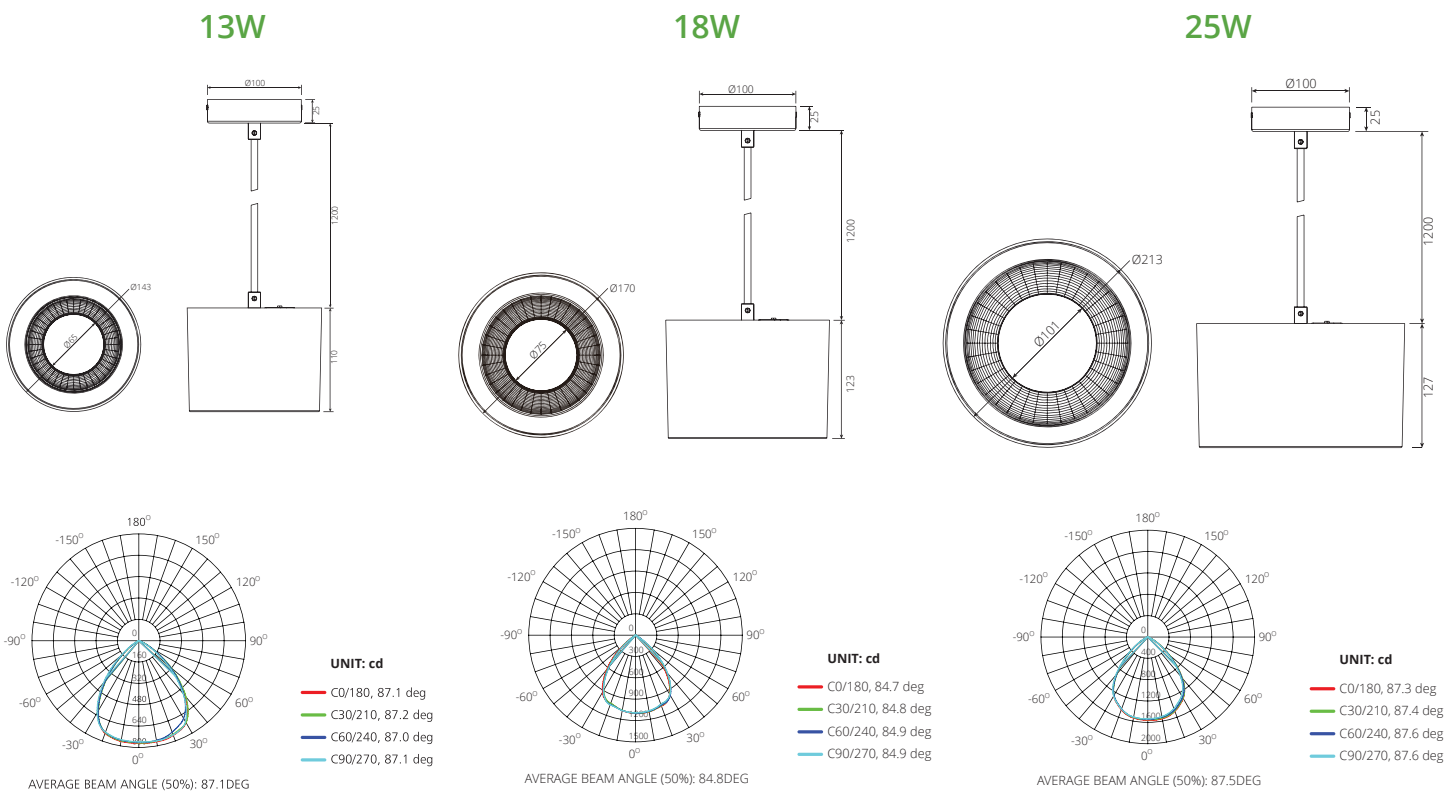




**greenlux**  
cost reduction LED lighting

# Crest 02 LED Pendant Light

## Dimensions & Photometrics



Model	Dimensions (mm)	Beam Angle	CCT	Lumens	Wattage	LED	Dimmer (option)
GUCRE-13W-02-S	$\varnothing 143 * 112$	60° / 90°	3000k	1460	13W	COB	Triac
GUCRE-18W-02-S	$\varnothing 170 * 124$	60° / 90°	4000k	1890	18W	COB	Triac
GUCRE-25W-02-S	$\varnothing 213 * 129$	60° / 90°	5000k	2930	25W	COB	Triac
			5700k				