



greenlux
cost reduction LED lighting

Crest 02 LED Tri-Colour Pendant Light

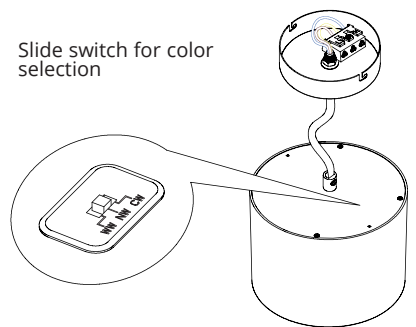
Available in Multiple Wattage
80% lumen maintenance at 50,000 hours

- Three UGR Levels Options 19 / 22 / 25
- Intergrated Reflector, Excellent Thermal Management
- Surface Mounted Light
- 60° / 90° Beam Angle
- High lumen output at 100lm/W
- High Quality Aluminium
- High quality Citizen or Bridgelux COB chipset
- Dimming Options
- IP54 Rated
- 5 Years Warranty
- Applications include ceilings, walkways, hotels, restaurants, museums, shops & offices



Specifications

Colour Range	3000 / 4000 / 5700k
Power Consumption	13W / 18W / 25W
Luminous Flux	100lm/W
Input Voltage	100-240V AC 50/60Hz
Beam angle	60° & 90°
CRI	>80 or >90 (option)
Power Factor	>0.9
IP Rating	IP54
Dimmable	TRIAC
Driver	Australian Safety Standard



Dimensions & Materials

Product Dimension (mm)	13W	Ø143 * 112
	18W	Ø170 * 124
	25W	Ø213 * 129

Housing Material Aluminum

Housing Colour Matte White
Matte Black

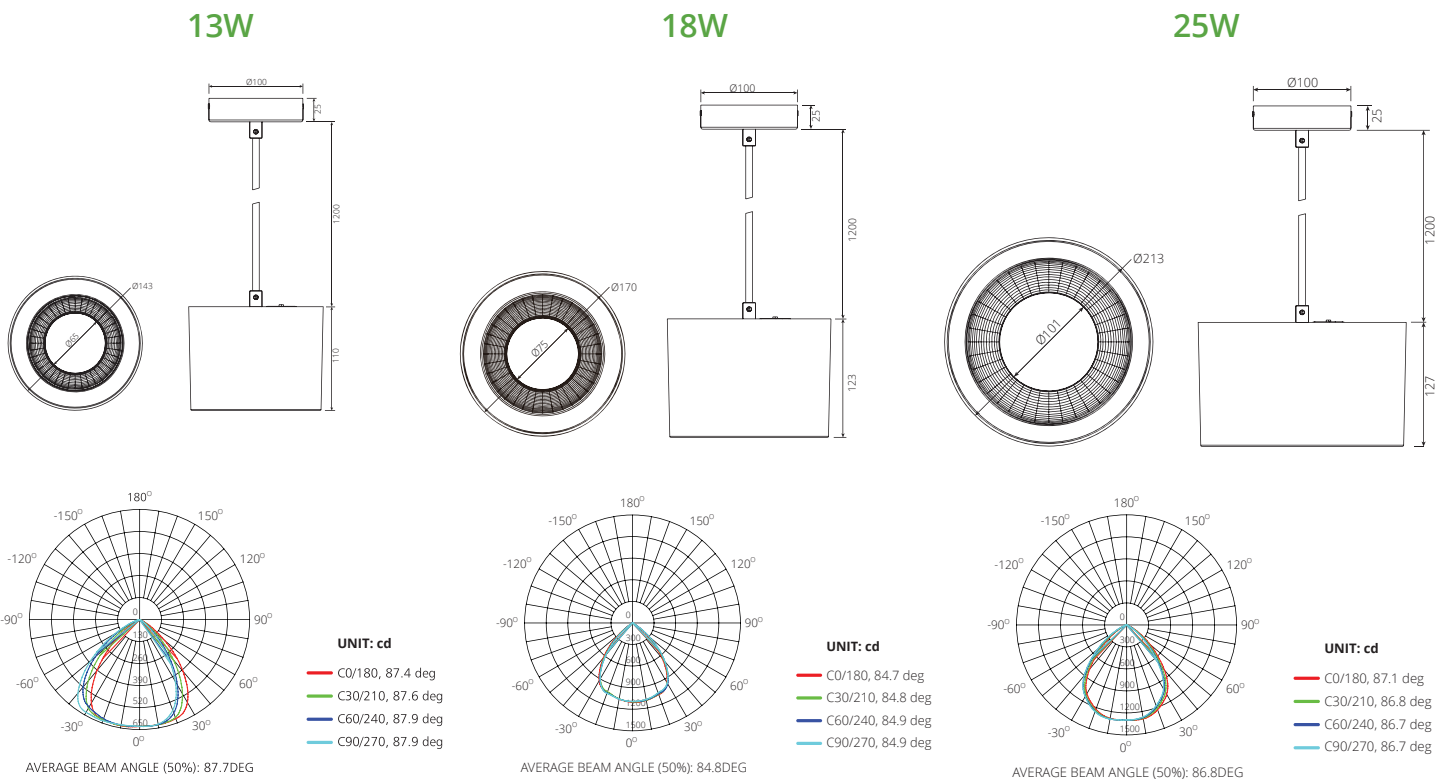




greenlux
cost reduction LED lighting

Crest 02 LED Tri-Colour Pendant Light

Dimensions & Photometrics



Model	Dimensions (mm)	Beam Angle	CCT	Lumens	Wattage	LED	Dimmer (option)
GUCRE-13W-02-ST	$\varnothing 143 * 112$	60° / 90°	3000k	1310	13W	COB	Triac
GUCRE-18W-02-ST	$\varnothing 170 * 124$	60° / 90°	4000k	1760	18W	COB	Triac
GUCRE-25W-02-ST	$\varnothing 213 * 129$	60° / 90°	5700k	2650	25W	COB	Triac